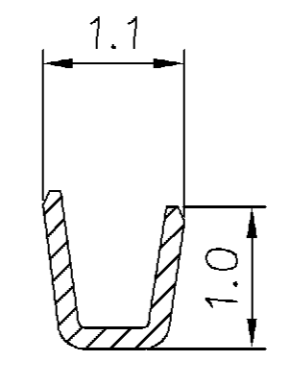
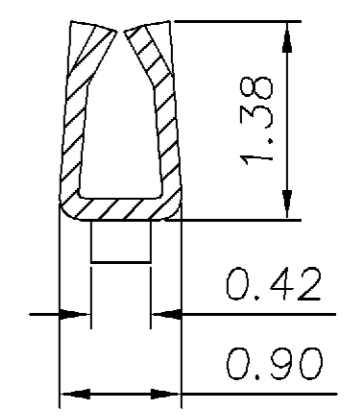


SEC A-A



SEC B-B



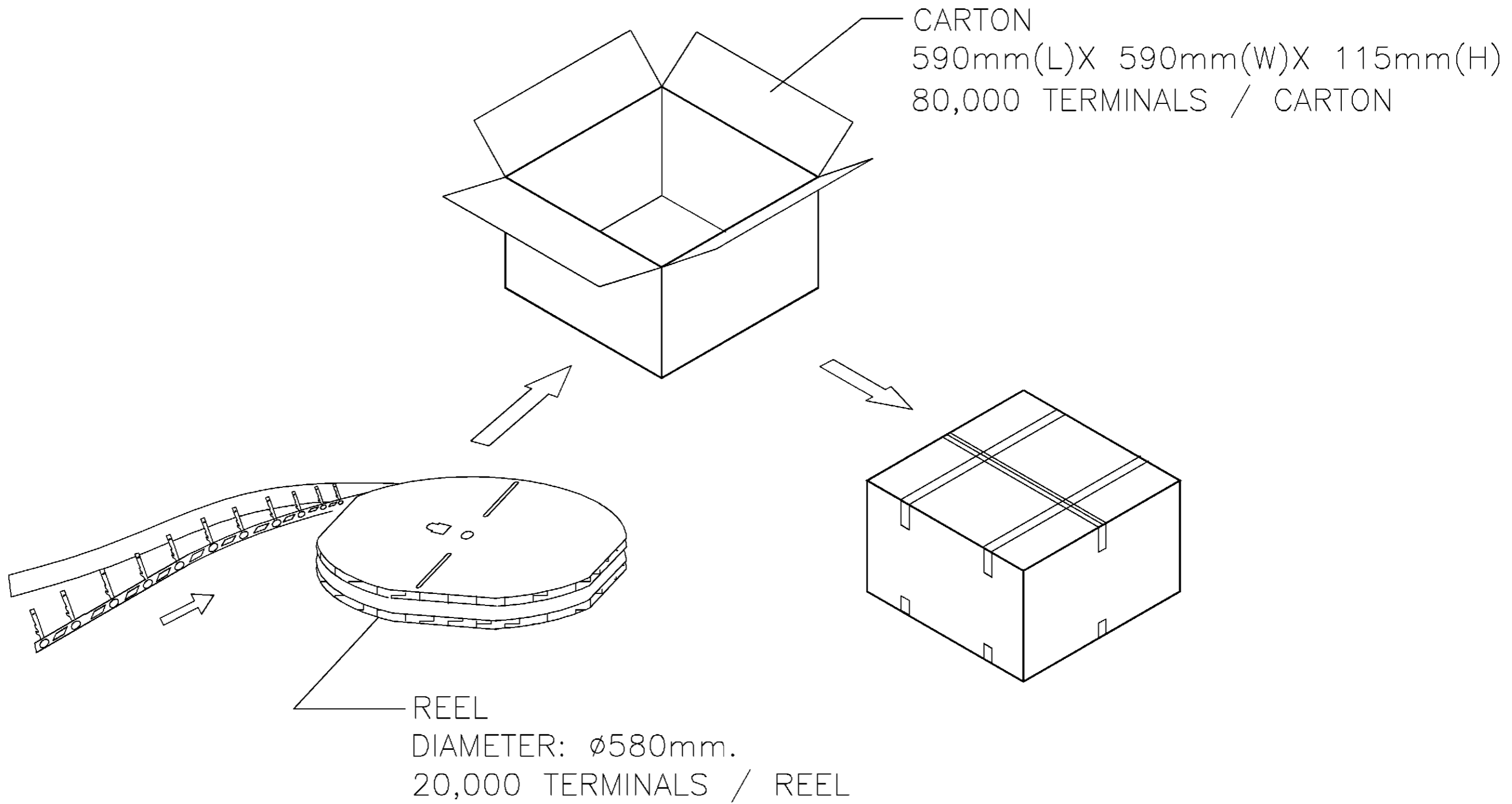
SEC C-C

- NOTE:
- MATERIAL:  
 TERMINAL: PHOSPHOR BRONZE, THICKNESS=0.2mm.
  - FINISH:  
 TERMINAL: 2.0um MIN. TIN(MATTE) PLATE OVER 0.75um MIN. NICKEL UNDERPLATE OVER ALL.
  - APPLY HOUSING PART NO: X-440146-X.
  - APPLICATION SPECIFICATION: 114-57016.
  - APPLICABLE WIRE RANGE: AWG #28-#32.

1734193-1  
 PART NUMBER

|  |  |                                   |                         |       |
|--|--|-----------------------------------|-------------------------|-------|
| TOLERANCES UNLESS OTHERWISE SPECIFIED:<br>0 PLC ±<br>1 PLC ±0.15<br>2 PLC ±0.10<br>3 PLC ±0.05<br>ANGLES ±3' | DWN O. HU<br>05-JUL-2004               |                                   |                         |       |
|  | CHK S. HOU<br>05-JUL-2004              |                                   | NAME                    |       |
| MATERIAL<br>SEE NOTE   | APVD T. KE<br>05-JUL-2004              | WIRE TO BOARD SOCKET,<br>TERMINAL |                         |       |
| FINISH<br>SEE NOTE   | PRODUCT SPEC<br>108-57225              |                                   |                         |       |
|  | QUALIFICATION TEST REPORT<br>501-57229 | LOC DW A <sub>3</sub>             | DRAWING NO<br>C-1734193 | REV P |
|  | WEIGHT                                 | SCALE                             | SHEET 1 OF 2            |       |

|   |                 |                             |                   |                |
|---|-----------------|-----------------------------|-------------------|----------------|
| P | REVISION RECORD | REVISD PER<br>ECO-11-005301 | RK HMR<br>DWN CHK | 5APR11<br>DATE |
|---|-----------------|-----------------------------|-------------------|----------------|



|  |                           |             |   |  |
|--|---------------------------|-------------|---|--|
| TOLERANCES UNLESS OTHERWISE SPECIFIED:<br>0 PLC ±<br>1 PLC ±0.15<br>2 PLC ±0.10<br>3 PLC ±0.05<br>ANGLES ±3' | DWN                       | O. HU       | TE Connectivity                               |  |
|  |                           | 05-JUL-2004 |   |  |
| MATERIAL<br><br>SEE NOTE   | CHK                       | S. HOU      | NAME<br><br>WIRE TO BOARD SOCKET,<br>TERMINAL |  |
|  |                           | 05-JUL-2004 |   |  |
| FINISH<br><br>SEE NOTE   | APVD                      | T. KE       | LOC<br>DW A <sub>3</sub>                      |  |
|  |                           | 05-JUL-2004 |   |  |
|  | QUALIFICATION TEST REPORT |             | REV<br>P                                      |  |
|  | WEIGHT                    |             |   |  |
|  |                           |             | SHEET<br>2 OF 2                               |  |

|     |                 |              |     |     |     |      |
|-----|-----------------|--------------|-----|-----|-----|------|
| LTR | REVISION RECORD | SEE SHEET 1. | ECO | DWN | CHK | DATE |
|-----|-----------------|--------------|-----|-----|-----|------|