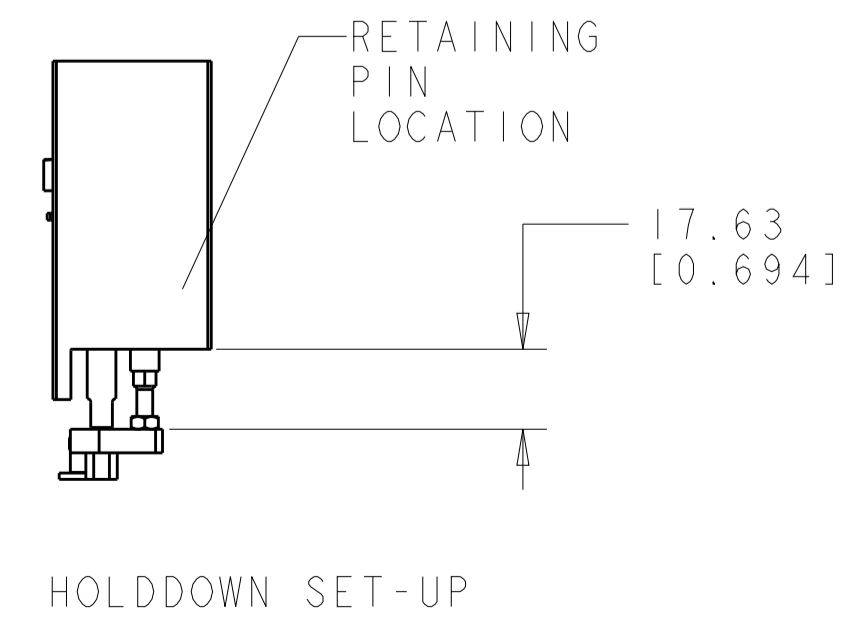
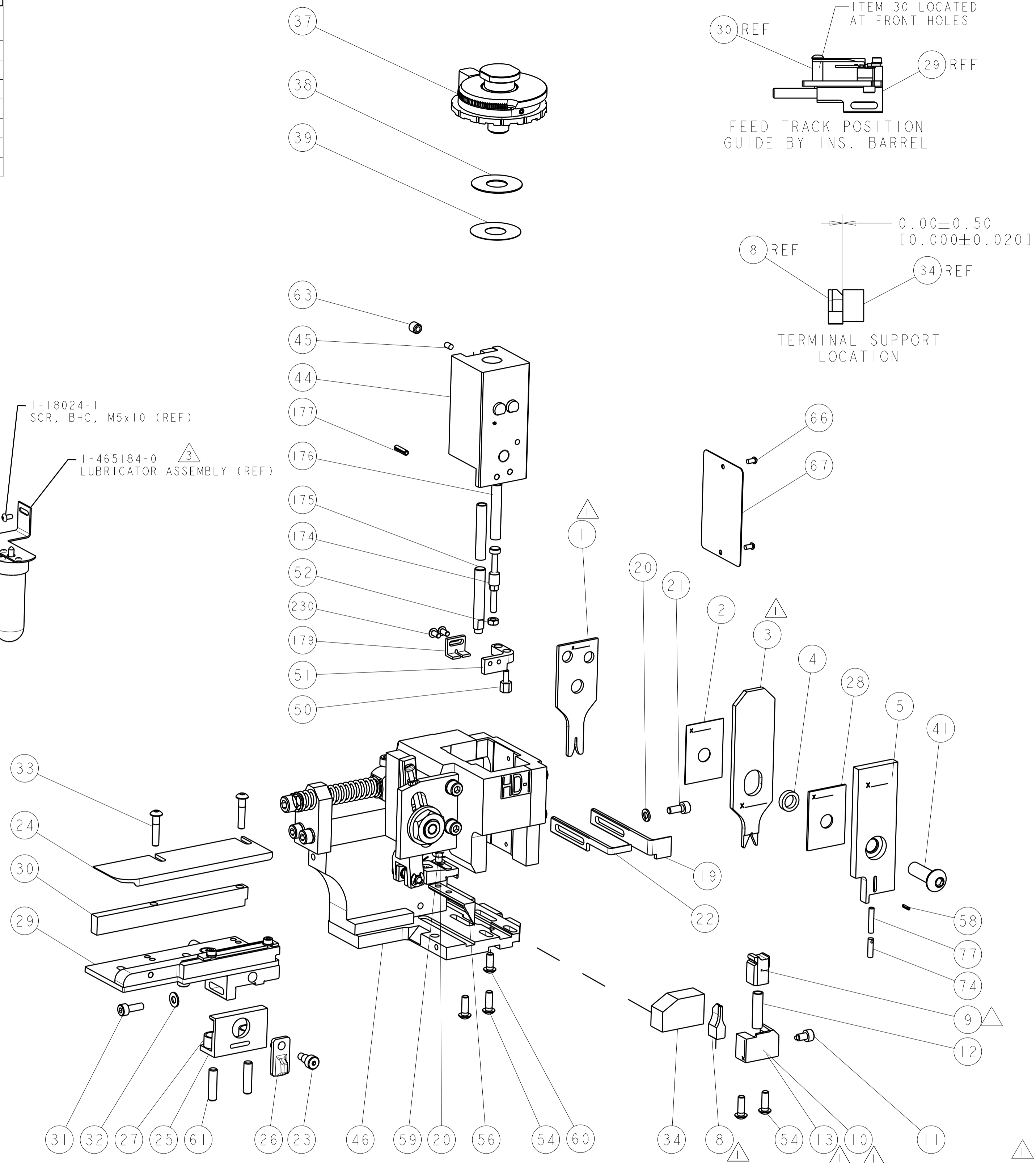
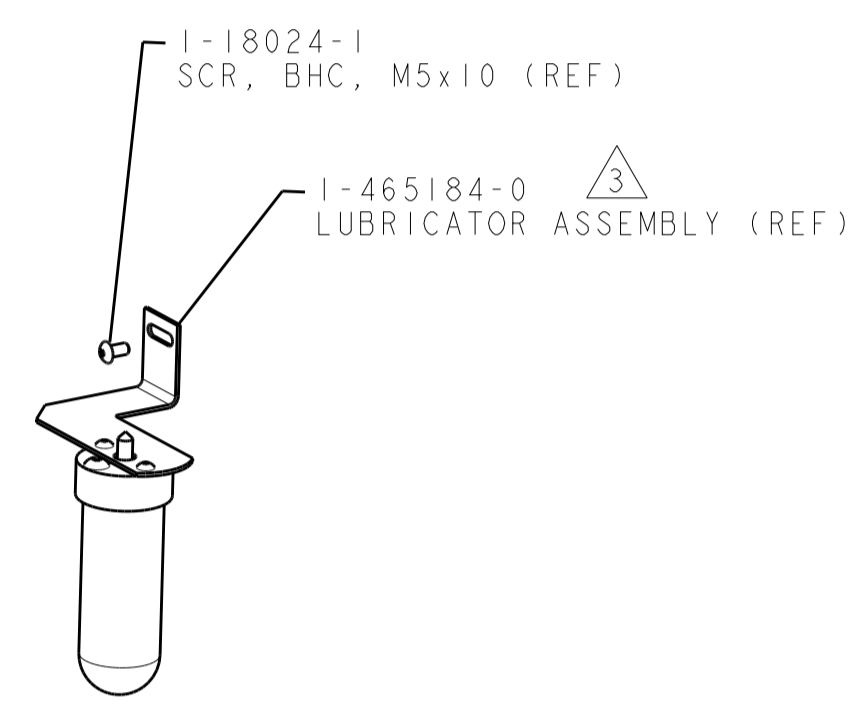
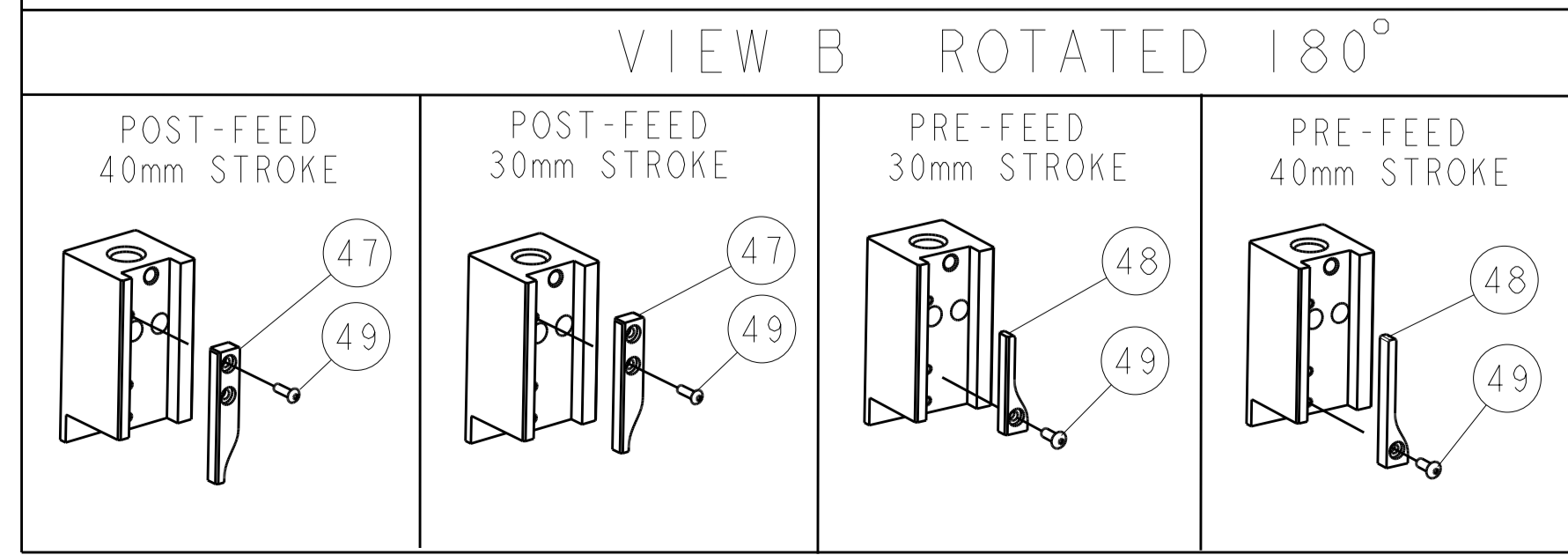


PART NUMBER	REV	TERMINATOR	FEED TYPE	DESCRIPTION
1530178-1	C	LEADMAKER	MECH POST FEED	CUTS CARRIER
1530178-2	D	BENCH	MECH PRE FEED	CUTS CARRIER
1530178-6	C	LEADMAKER	MECH POST FEED	CONTINUOUS CARRIER
7-1530178-1	C	LEADMAKER	MECH POST FEED	-1 AND SPARE PARTS
7-1530178-2	D	BENCH	MECH PRE FEED	-2 AND SPARE PARTS
7-1530178-6	C	LEADMAKER	MECH POST FEED	-6 AND SPARE PARTS
7-1530178-7	A	-	-	SPARE PARTS KIT

CRIMP	SIZE	TYPE	RANGE
WIRE	1.07 [0.042 IN]	F	24-22 AWG
INSUL	1.57 [0.062 IN]	O	Ø1.3-1.6 [0.051-0.063 IN]
WIRE STRIP LENGTH 2.20-2.70 [0.087-0.106 IN]		APPL INSTRUCTIONS 408-8322 & 408-8490	
TERMINAL APPL SPEC	114-13261	FEED	9.00 [0.354 IN]
TERMINALS APPLIED			
RECEPTACLE	TAB	TAB	-
1-2106123-1	2-2106124-1	2-2106124-5	-
1-2106123-3	2-2106124-2	2-2106124-6	-
-	2-2106124-3	-	-
-	2-2106124-4	-	-
WIRE SIZE	CRIMP HEIGHT	REF SETTING	
22 AWG	0.79 ±0.05 [0.031 ±0.002 IN]	C5	
24 AWG	0.74 ±0.05 [0.029 ±0.002 IN]	C5	

- RECOMMENDED SPARE PARTS.
- GREASE RAM, CAM, CAM FOLLOWER AND FEED ROD LIGHTLY.
- CERTAIN TERMINALS REQUIRE LUBRICATION. REFER TO THE APPLICATOR INSTRUCTION SHEET FOR MORE INFORMATION.
- LUBRICATE DAILY PER THE APPLICATOR INSTRUCTION SHEET SUPPLIED WITH THE APPLICATOR.



**\* WARNING**  
ON INSTALLATION, SET WIRE DISC TO LARGEST WIRE SIZE SETTING. USE OF SETTINGS BELOW MIN. REQUIRED CRIMP HEIGHT SETTING WILL CAUSE DAMAGE TO CRIMP TOOLING.

LOC		DIST		REVISONS			
A	66	P	LTN	DESCRIPTION	DATE	DMN	APVD
		D		ECR-12-014598	15AUG2012	MY	GB

QTY	2	2	2	2	2	2	1655785-9	SCR, BTN SKT HD CAP (M3 X 6)	230
-	1	1	1	1	1	1	1-1976053-5	LOCATER BLOCK, TERMINAL	179
-	1	1	1	1	1	1	993111-8	PIN, SLOTTED SPRING 3.0 X 12.0	177
-	2	2	2	2	2	2	3-22280-7	SPRING, COMPRESSION	176
-	1	1	1	1	1	1	1752353-1	GUIDE PIN, HOLDDOWN	175
-	1	1	1	1	1	1	1901680-1	GUIDE PIN, HOLDDOWN	174
-	1	1	1	1	1	1	22278-7	SPRING, COMPRESSION	77
-	1	1	1	1	1	1	854769-4	HOLDER, INS	74
-	1	1	1	1	1	1	1338705-3	DOCUMENTATION PACKAGE	71
-	1	1	1	1	1	1	461264-5	PLATE, IDENTIFICATION	67
-	2	2	2	2	2	2	21017-2	SCREW, DRIVE	66
-	1	1	1	1	1	1	3-18031-0	SCR, SET, CUP POINT M6 X 6.0	63
-	2	2	2	2	2	2	2-18032-5	SCR, SET, FLT POINT M5 X 20.0	61
-	1	1	1	1	1	1	18024-7	SCR, BTN SKT HD CAP (M4 X 10.0)	60
-	1	1	1	1	1	1	5-18022-2	SCR, HEX HD CAP M4 X 8.0	59
-	1	1	1	1	1	1	21028-2	PIN, SLOTTED SPRING .062 X .250	58
-	1	1	1	1	1	1	1338685-1	PAWL, FEED	56
-	4	4	4	4	4	4	18024-8	SCR, BTN SKT HD CAP (M4 X 12.0)	54
-	1	1	1	1	1	1	1-18030-0	NUT, HEX, REG M3.5	52
-	1	1	1	1	1	1	1-1901681-0	HOLDDOWN, TERMINAL	51
-	1	1	1	1	1	1	1752354-8	STANDOFF, HOLD-DOWN	50
-	1	1	1	1	1	1	18024-3	SCR, BTN SKT HD CAP (M3 X 10.0)	49
-	-	-	-	-	-	-	1338675-1	CAM, UNIVERSAL PRE FEED	48
-	1	1	1	1	1	1	1338676-1	CAM, UNIVERSAL POST-FEED	47
-	1	1	1	1	1	1	1320999-3	APPLICATOR SUBASSEMBLY, HDI	46
-	1	1	1	1	1	1	690191-1	PLUG, NYLON	45
-	1	1	1	1	1	1	1633724-5	RAM, (SIDE FEED)	44
-	1	1	1	1	1	1	2-18024-6	SCR, BTN SKT HD CAP (M8 X 25.0)	41
-	1	1	1	1	1	1	690125-1	SHIM SUB-ASSY	39
-	1	1	1	1	1	1	1-469367-2	SHIM	38
-	1	1	1	1	1	1	879103-3	FINE ADJUST HEAD ASSEMBLY	37
-	1	1	1	1	1	1	1752356-3	SUPPORT, TERMINAL	34
-	2	2	2	2	2	2	1-18024-0	SCR, BTN SKT HD CAP (M4 X 20.0)	33
-	1	1	1	1	1	1	18027-2	WASHER, FLAT, REG M4	32
-	1	1	1	1	1	1	1-18023-2	SCR, SKT HD CAP M4 X 12.0	31
-	1	1	1	1	1	1	1-1320908-7	SPACER, STRIP GUIDE	30
-	1	1	1	1	1	1	1633073-1	STRIP GUIDE ASSEMBLY	29
-	1	1	1	1	1	1	1-455888-0	SPACER, CRIMPER	28
-	2	2	2	2	2	2	1-22284-0	SPRING, COMPRESSION	27
-	1	1	1	1	1	1	356835-1	LEVER, DRAG RELEASE	26
-	1	1	1	1	1	1	240792-3	DRAG, TERMINAL	25
-	1	1	1	1	1	1	1320928-1	STRIP GUIDE	24
-	1	1	1	1	1	1	980371-4	SCR, SKT HD SHLDR 5.0 DIA X 6.0	23
-	1	1	1	1	1	1	1-690472-4	STRIPPER	22
-	1	1	1	1	1	1	1-18023-1	SCR, SKT HD CAP M4 X 10.0	21
-	2	2	2	2	2	2	18025-2	WASHER, SPRG LOCK, REG M4	20
-	-	-	-	-	-	-	1-690472-9	STRIPPER	19
-	1	1	1	1	1	1	1338684-2	SHEAR HOLDER, FRONT	13
-	1	1	1	1	1	1	3-22280-3	SPRING, COMPRESSION	12
-	1	1	1	1	1	1	356885-5	STOP, SHEAR	11
-	-	-	-	-	-	-	1-1320921-0	SHEAR HOLDER, FRONT, CUT	10
-	1	1	1	1	1	1	462006-6	FLOATING SHEAR, FRONT	9
-	1	2	2	2	1	1	2-1633127-0	ANVIL, COMBINATION .042	8
-	-	-	-	-	-	-	-	-	7
-	-	-	-	-	-	-	-	-	6
-	1	1	1	1	1	1	854772-6	DEPRESSOR, SHEAR	5
-	1	1	1	1	1	1	3-238011-8	BLOCK, CRIMPER SPACER	4
-	1	2	2	1	1	1	1633757-8	CRIMPER, INSULATION O	3
-	1	1	1	1	1	1	455888-4	SPACER, CRIMPER	2
-	1	2	2	1	1	1	4-456401-1	CRIMPER, WIRE PREMIUM	1

QTY	-77	-76	-72	-71	-6	-2	-1	PART NO	DESCRIPTION	ITEM NO
-	1	1	1	1	1	1	1	854772-6	DEPRESSOR, SHEAR	5
-	1	1	1	1	1	1	1	3-238011-8	BLOCK, CRIMPER SPACER	4
-	1	2	2	1	1	1	1	1633757-8	CRIMPER, INSULATION O	3
-	1	1	1	1	1	1	1	455888-4	SPACER, CRIMPER	2
-	1	2	2	1	1	1	1	4-456401-1	CRIMPER, WIRE PREMIUM	1

DATE	BY	CHKD	APPVD	NAME	SIZE	CAGE CODE	DRAWING NO	RESTRICTED TO
07AUG2009	S.ZOU	07AUG2009	T.ELBIN	N. DEMING	A1	00779	1530178	

DIMENSIONS	TOLERANCES UNLESS OTHERWISE SPECIFIED:
mm [IN]	0 PLC ±
	1 PLC ±
	2 PLC ±
	3 PLC ±
	4 PLC ±
	ANGLES ±

MATERIAL	FINISH	WEIGHT	SCALE	SHEET	OF	REV
			3:5	1	1	D