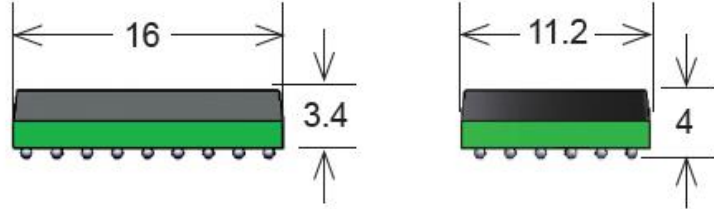
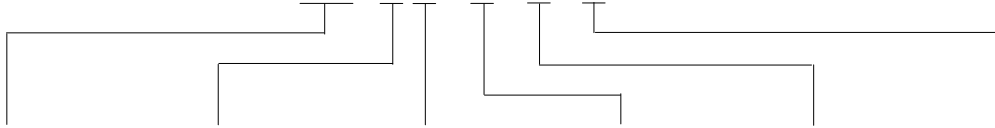


RM05-4A Series Reed Relays



- Features: 4-Pole Low Profile SMD RF Relay Module, <40ps Rise Time for Switching Fast Pulses, BGA
- Applications: High Frequency Applications, Automated Test Equipment & Others
- Markets: Test and Measurement, Telecommunications & Others

Part Description: **RM05-0X-S-4/0**



Nominal Voltage	Contact QTY	Contact Form	Solder Balls	Input	Output
05	4	4A, 2A2B	S	4	2, 4

Customer Options	Switch Model	Unit
Contact Data	80/1	
Rated Power (max.) Any DC combination of V&A not to exceed their individual max.'s	10	W
Switching Voltage (max.) DC or peak AC	170	V
Switching Current (max.) DC or peak AC	0.5	A
Carry Current (max.) DC or peak AC	0.5	A
Contact Resistance (max.) @ 0.5V & 50mA	200	mOhm
Breakdown Voltage (min.) According to EN60255-5	0.21	kVDC
Operating Time (max.) Incl. Bounce; Measured with w/ Nominal Voltage	0.1	ms
Release Time (max.) Measured with no Coil Excitation	0.02	ms
Insulation Resistance (typ.) Rh<45%, 100V Test Voltage	1	GOhm
Capacitance (typ.) @ 10kHz across open Switch	0.1	pF

Series Datasheet – RM05-4A Reed Relays

www.standexmeder.com

Coil Data		
Contact Form	4A, 2A2B	Unit
Switch Model	80	
Coil Voltage (nom.)	5	VDC
Coil Resistance (typ.)	185	Ohm
Pull-In Voltage (max.)	3.75	VDC
Drop-Out Voltage (min.)	0.5	VDC
Nominal Coil Power (typ.)	135	mW

The Pull-In / Drop-Out Voltage and Coil Resistance will change at Rate of 0.4% per °C

Relay Data		
Module Characteristics		
Insertion Loss (typ.)	Input/Output	On request
Voltage Standing Wave Ratio (typ.)	Input/Output	On request
Isolation (typ.)	Input/Output	On request
Rise Time (typ.)	Input/Output	On request
Charateristics. Impedance (typ.)	0.5	On request

Environmental Data		Unit
Shock Resistance (max.) 1/2 sine wave duration 11ms	50	g
Vibration Resistance (max.)	10	g
Operating Temperature	-20 to 85	°C
Storage Temperature	-35 to 125	°C
Soldering Temperature (max.) 5 sec. max.	220	°C

Glossary Contact Form		
Form A	NO = Normally Open Contacts SPST = Single Pole Single Throw	
Form B	NC = Normally Closed Contacts SPST = Single Pole Single Throw	
Form C	Changeover SPDT = Single Pole Double Throw	

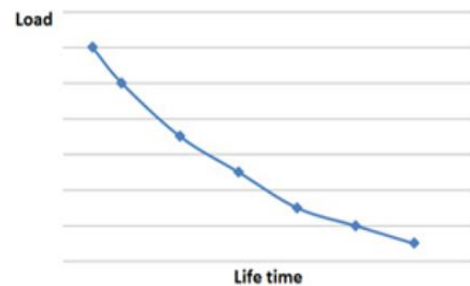


RM05-4A Reed Relay



Life Test Data

*Load increase reduces life expectancy of Reed Switches



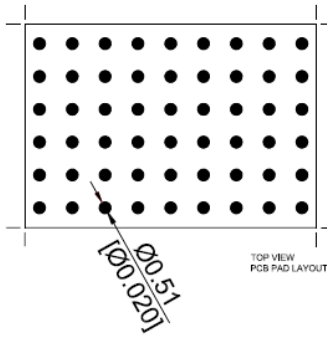
Handling & Assembly Instructions

- Switching inductive and/or capacitive loads create voltage and/or current peaks, which may damage the relay. Protective circuits need to be used.
- External magnetic fields needs to be taken into consideration, including a too high packing density. This may influence the relays' electrical characteristics.
- Mechanical shock impacts e.g. dropping the relays may cause immediate or post-installation failure.
- Wave soldering: maximum 260°/5 seconds.
- Reflow soldering: Recommendations given by the soldering paste manufacturer need to be considered as well as the temperature limits of other components/processes.

Pad Layout

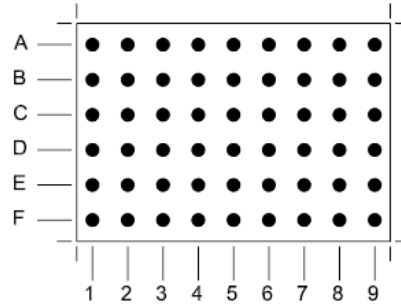
Top View

GRID SPACING IS 1.8mm ON CENTER



Pad Designation

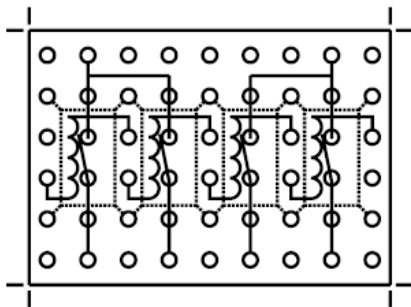
Top View



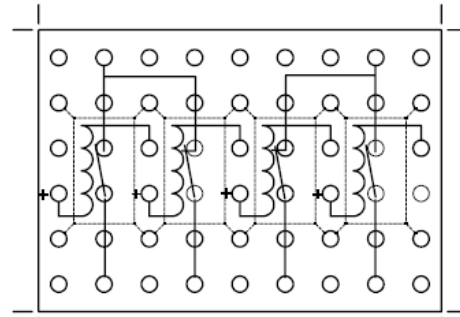
Schematic

Top View

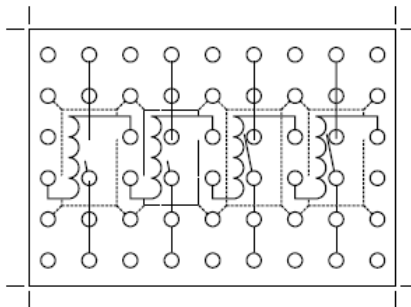
4A-S-4/2



2A2B-S-4/2



4A-S-4/4



2A2B-S-4/4

