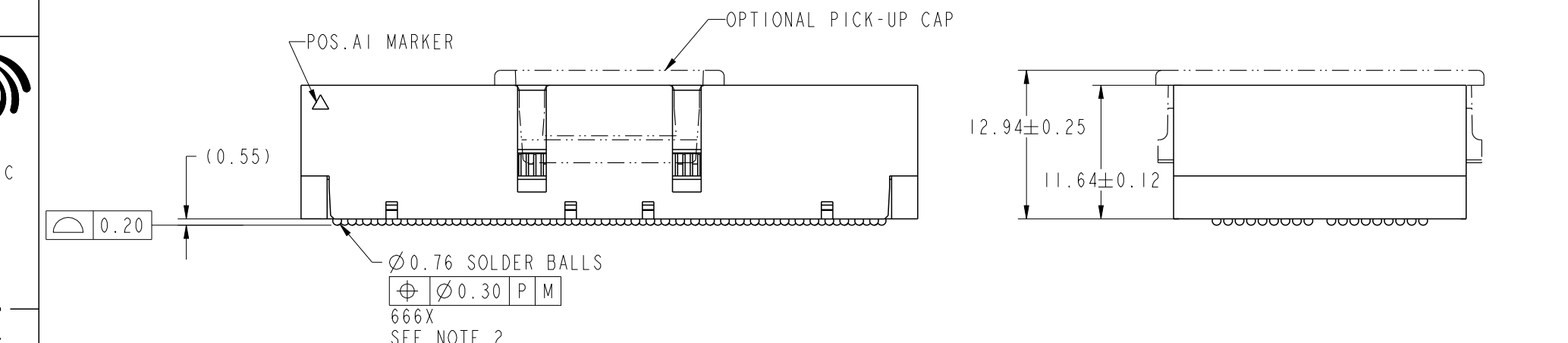
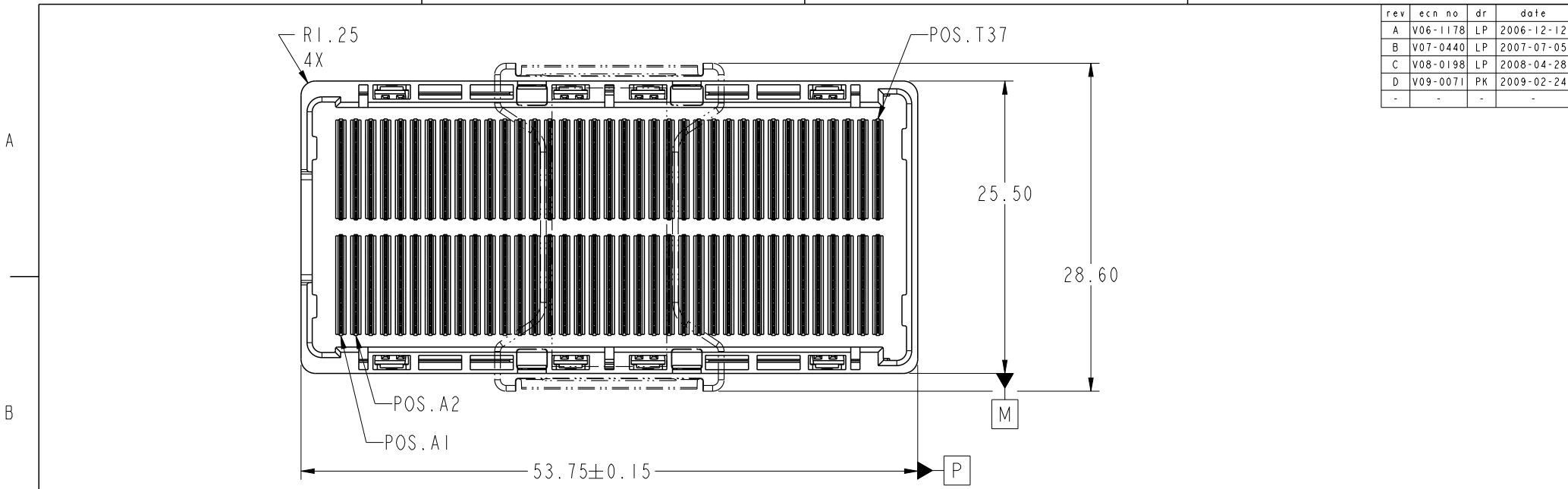


rev	ecn no	dr	date
A	V06-1178	LP	2006-12-12
B	V07-0440	LP	2007-07-05
C	V08-0198	LP	2008-04-28
D	V09-0071	PK	2009-02-24
-	-	-	-



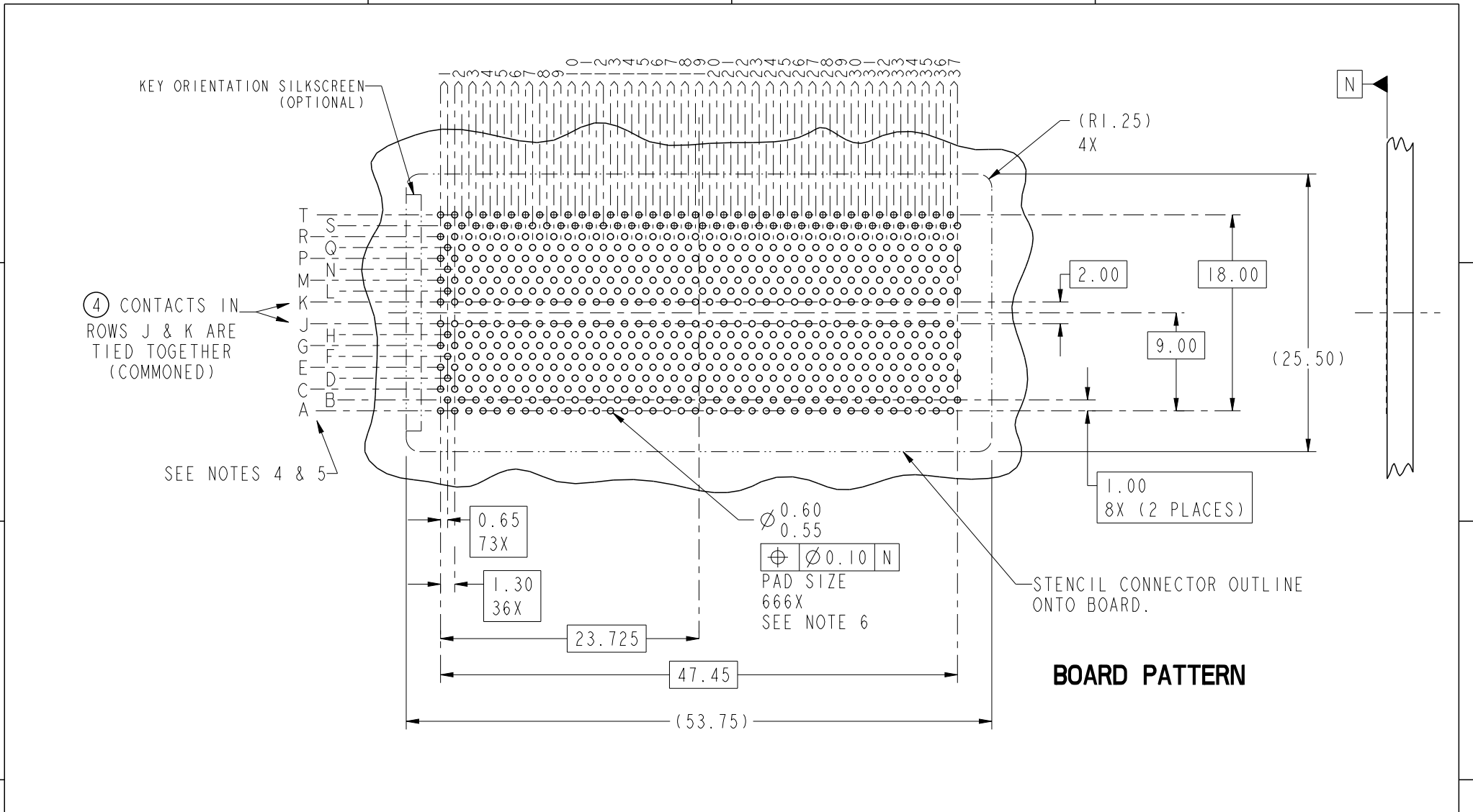
Copyright FCI.

spec ref	-	dr	Bill Lin	2010/02/02	projection 	mm 	size	A4	scale	1:1	
tolerance std	ASME Y14.5	eng	Nickor Zuo	2011/05/26			ecn no	ELX-DG-003943-1			
TOLERANCES UNLESS OTHERWISE SPECIFIED		chr	Alex Cao	2011/06/24			product family	GIG-Array		rel level	Released
surface	3.2 ASME Y14.5	appr	Pei-Ming Zheng	2011/06/27			product family	GIG-Array		rel level	Released
	linear	0.X	±0.30	 www.fci.com	GIG-Array 10mm PLUG ASSY. 296 SIG. POS.	dwg no 10026804	rev E				
		0.XX	±0.10								
		0.XXX	±0.05								
	angular	0°	±2°	cat. no.	-	Product - Customer Drw	sheet 1 of 5				

ProjE File - REV C - 2009-06-09



Copyright FCI.



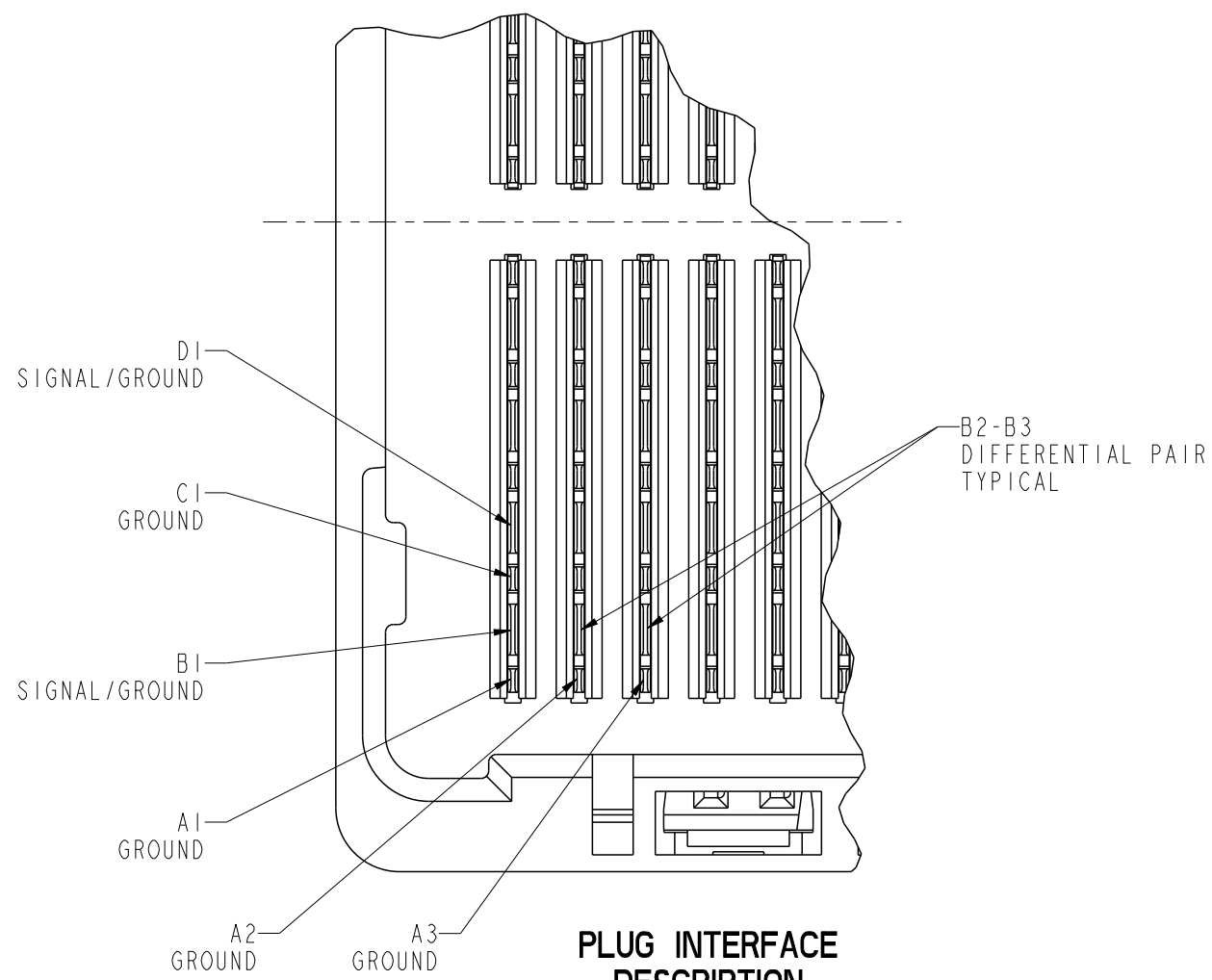
BOARD PATTERN

spec ref		-		dr	Bill Lin	2010/02/02	projection 	mm 	size	A4	scale	1:1
tolerance std		TOLERANCES UNLESS OTHERWISE SPECIFIED		eng	Nickor Zuo	2011/05/26			ecn no	ELX-DG-003943-1		
ASME Y14.5				chr	Alex Cao	2011/06/24			rel level	Released		
-				appr	Pei-Ming Zheng	2011/06/27	product family	GIG-Array		rev		
surface	3.2	linear	0.X	±0.30		GIG-Array	dwg no	10026804	rev	E		
			0.XX	±0.10								
			0.XXX	±0.05								
ASME Y14.5		angular	0°	±2°	www.fci.com	cat. no.	-	Product - Customer Drw	sheet 2 of 5			

PrdE File - REV C - 2009-06-09



Copyright FCI.



PLUG INTERFACE DESCRIPTION

spec ref		-		dr	Bill Lin	2010/02/02	projection 	mm 	size	A4	scale	1:1
tolerance std	ASME Y14.5	TOLERANCES UNLESS OTHERWISE SPECIFIED		eng	Nickor Zuo	2011/05/26			ecn no	ELX-DG-003943-1		
				chr	Alex Cao	2011/06/24				rel level	Released	
-		-		appr	Pei-Ming Zheng	2011/06/27	product family		GIG-Array			
surface	3.2	linear	0.X	±0.30		title	GIG-Array		dwg no	10026804		rev
			0.XX	±0.10								
			0.XXX	±0.05								
ASME Y14.5	angular	0°	±2°	www.fci.com	cat. no.	-	Product - Customer Drw		sheet 3 of 5			

PreE File - REV C - 2009-06-09

1

2

3

4

A

B

C

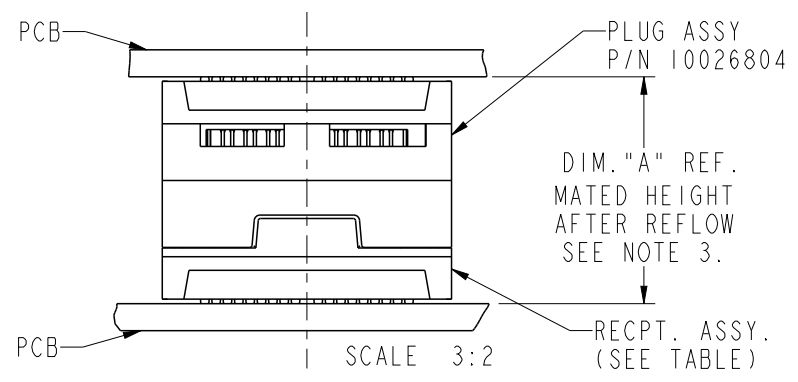
D

A

B

C

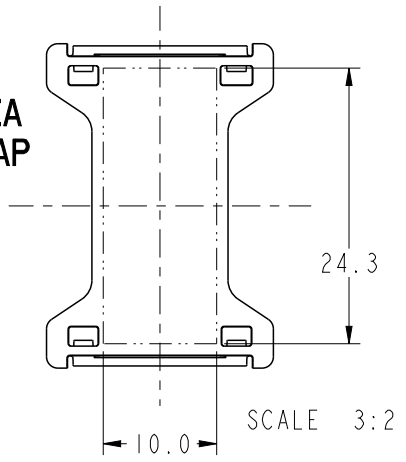
D



END VIEW OF MATED CONNECTORS

DIM. "A"	RECPT. ASSY. P/N
17	55701
22	10032376
27	55733

FLAT AREA
PICK-UP CAP



Copyright FCI.

spec ref		-		dr	Bill Lin	2010/02/02	projection 	mm 	size	A4	scale	1:1
tolerance std	ASME Y14.5	TOLERANCES UNLESS OTHERWISE SPECIFIED		eng	Nickor Zuo	2011/05/26			ecn no	ELX-DG-003943-1		
				chr	Alex Cao	2011/06/24				rel level	Released	
surface	3.2	linear	0.X	±0.30	 www.fci.com	title GIG-Array 10mm PLUG ASSY. 296 SIG. POS.	dwg no 10026804	rev E	product family		GIG-Array	
		linear	0.XX	±0.10					cat. no.	-	Product - Customer Drw	sheet 4 of 5
		angular	0°	±2°					PDS: Rev :E		STATUS:Released	

PreE File - REV C - 2009-06-09

2

3

4

PRODUCT NUMBER	SOLDER BALL COMPOSITION	CONTACT PLATING PERFORMANCE LEVEL
10026804-001	STANDARD (EUTECTIC)	PERFORMANCE-BASED PLATING, QUALIFIED TO MEET THE REQUIREMENTS OF FCI PRODUCT SPECIFICATION GS-12-192, INCLUDING TELCORDIA CENTRAL OFFICE
10026804-001LF	LEADFREE	

NOTES:

- ① MAT'L:
HOUSING: LCP
CONTACT: COPPER ALLOY
PLATING (CONTACT): Au OVER Ni.
UL RATING: 94 V-0
- ② SOLDER BALLS WILL NOT BE PERFECT SPHERICAL SHAPE DUE TO REFLOW ATTACHMENT.
- ③ MATED HEIGHT EFFECTED BY CUSTOMERS' PCB PAD SIZE, PLATING, SOLDER REFLOW PROFILE & SOLDER PASTE.
- ④ CONTACTS IN ROWS A,C,E,G,J,K,M,P,R AND T ARE SINGLE BEAM CONTACTS, TYPICALLY USED AS GROUND PINS. (NOTE: CONTACTS IN ROWS J & K ARE TIED TOGETHER [COMMONED])
- ⑤ CONTACTS IN ROWS B,D,F,H,L,N,Q AND S ARE DUAL BEAM CONTACTS, TYPICALLY USED AS SIGNAL PINS.

NOTES CONTINUED

- ⑥ SPECIFIED POSITIONAL TOLERANCE DEFINES PAD TO PAD LOCATION WITHIN LAND PATTERN. POSITIONAL TOLERANCE OF LAND PATTERN TO FUDICIAL MARKS OR PCB DATUMS SHALL BE DEFINED BY CUSTOMER. FOR RECOMMENDED PRODUCT APPLICATION AND PCB DESIGN DETAILS, SEE DOC. NO. GS-20-016.
- ⑦ FOR PROPER APPLICATION FOLLOW FCI APPLICATION SPECIFICATION GS-20-033 LEADFREE SOLDER BALLS WILL NOT SOLDER PROPERLY IN A LEADED SOLDER PROCESS DUE TO A HIGHER REFLOW TEMPERATURE, LEADFREE PRODUCT IS THEREFORE NOT BACKWARDS COMPATIBLE WITH LEADED OR SOME SOLDERING APPLICATIONS. REFERENCE FCI APPLICATION SPECIFICATION.
- ⑧ THIS PRODUCT MEETS THE EUROPEAN UNION DIRECTIVES AND OTHER COUNTRY REGULATIONS AS DESCRIBED IN GS-22-008. PRODUCT MEETING WITH THES DIRECTIVE IS IDENTIFIED IN THE LOT CODE NUMBER MARKED ON EACH PART BY HAVING AN "X" IN THE SEVENTH CHARACTER POSITION.



Copyright FCI.

spec ref	-	dr	Bill Lin	2010/02/02	projection 	mm 	size	A4	scale	1:1
tolerance std	TOLERANCES UNLESS OTHERWISE SPECIFIED	eng	Nickor Zuo	2011/05/26			ecn no	ELX-DG-003943-1		
ASME Y14.5		chr	Alex Cao	2011/06/24				rel level	Released	
surface	linear	appr	Pei-Ming Zheng	2011/06/27	product family	GIG-Array		rev		
ASME Y14.5		angular	0°	±2°	www.fci.com	title	GIG-Array		10026804	E
					10mm PLUG ASSY. 296 SIG. POS.	cat. no.	-	Product - Customer Drw	sheet 5 of 5	