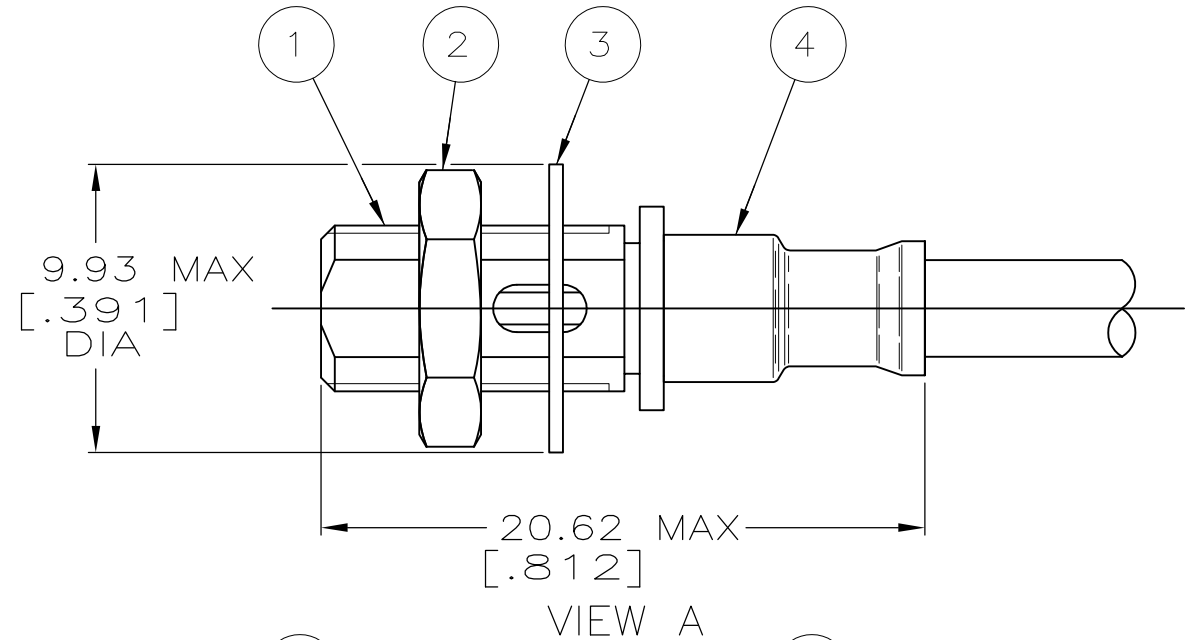
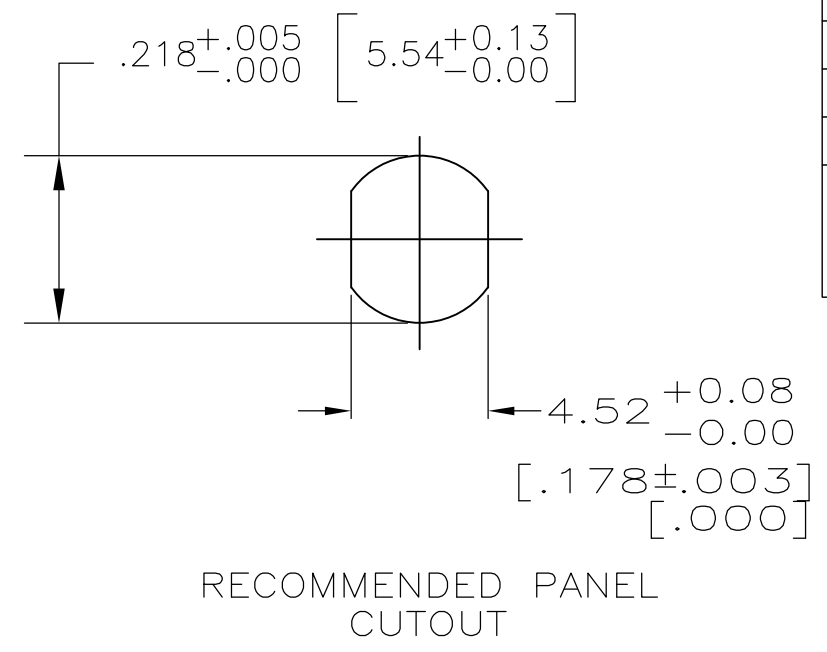
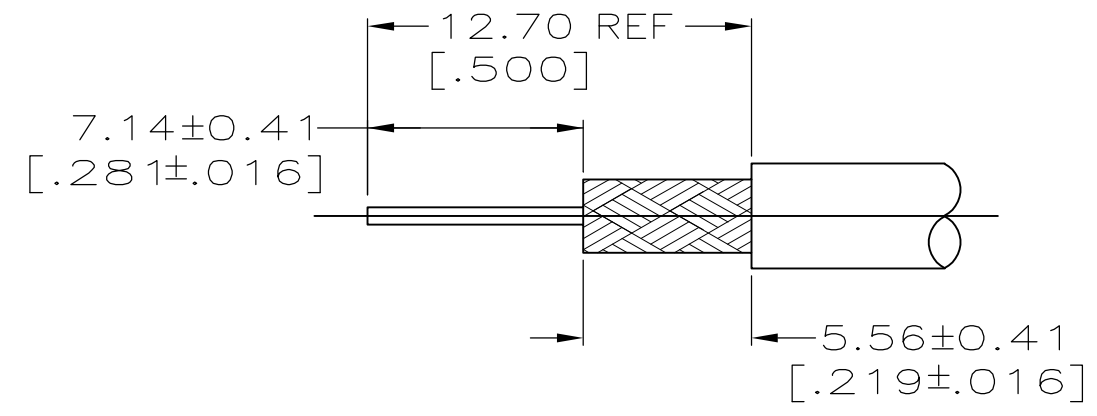
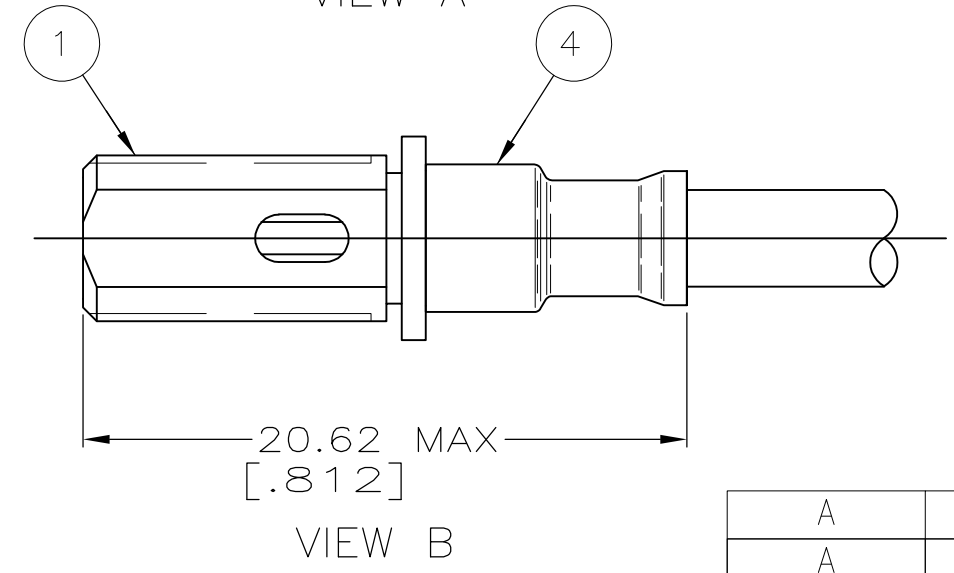


THIS DRAWING IS UNPUBLISHED. RELEASED FOR PUBLICATION
 © COPYRIGHT - By - ALL RIGHTS RESERVED.

LOC	DIST	REVISIONS			
P	LTR	DESCRIPTION	DATE	DWN	APVD
DF	X0	R1	REVISED PER ECO-11-005030	11MAR11	RK HMR



- FOR USE WITH RG-180/U, 180A/U & 195/U CABLE
- USE CRIMPING TOOL 69143
- SEE I.S. 1771
- MAX PANEL THICKNESS = .125
- PRODUCT IS DESIGNED TO MEET PRODUCT SPECIFICATION 108-12013
- PARTS PACKAGED UNASSEMBLED



A	1883198-1	5-328691-0	5-328690-0	5-330598-0	6-330599-0
A	329049	328691	328690	330598-2	1-330599-4
B	3-329049-0	-	-	330598-1	1-330599-3
A	3-329049-0	1-328691-2	1-328690-2	330598-1	1-330599-2
B	329049	-	-	330598	1-330599-1
A	329049	328691	328690	330598	1-330599-0
-	-	328691	328690	330598	330599
VIEW	④ FERRULE QTY=1	③ LOCKWASHER QTY=1	② JAM NUT QTY=1	① RECEPTACLE ASSEMBLY QTY=1	PART NUMBER

THIS DRAWING IS A CONTROLLED DOCUMENT.

DIMENSIONS: INCHES	TOLERANCES UNLESS OTHERWISE SPECIFIED:	DWN B. WERNER 07/JUL/95	TE Connectivity
	0 PLC ± - 1 PLC ± - 2 PLC ± - 3 PLC ± - 4 PLC ± - ANGLES ± -	CHK G. MICHAEL 13/JUL/95 APVD G. MICHAEL 13/JUL/95 PRODUCT SPEC APPLICATION SPEC	
MATERIAL SEE TABLE	FINISH -	WEIGHT -	NAME RECEPTACLE, SERIES MINIATURE THREADED SIZE A3 CAGE CODE 00779 DRAWING NO C-330599 RESTRICTED TO - SCALE 4:1 SHEET 1 OF 1 REV R1

CUSTOMER DRAWING