

**Technical specification:**

Rated voltage: 3pos 4pos  
IEC 61076-2-104 60 V 30 V

Current rating: 3/4 pos  
IEC 61076-2-104 3 A at 40°C

Insulation resistance: >=100 MΩ  
IEC 60512

Pollution degree: 3/2  
IEC 60664-1

Degree of protection: IP 67, in mated condition  
IEC 60529

Temperature range: -30°C ... +80°C

Mating cycles: >=100  
IEC 60512-9a

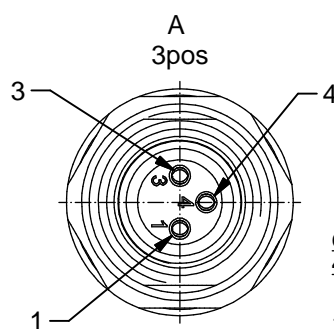
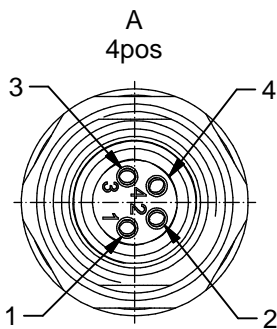
**Materials:**

Contact: CuZn  
Contact plating: Nickel, gold plated  
Contact carrier: PA6, UL 94  
Sealing: FPM  
Conternut: CuZn, nickel plated  
Socket housing: CuZn, nickel plated  
Grouting: Polyurethane-resin, UL 94

**Installation specification:**

Recommended torque: 0,6 - 0,8 Nm

Conec installation tool: Torque wrench: 36-000200  
Insert across flats 14: 36-000370

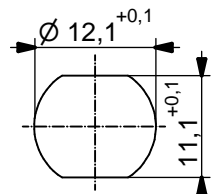


**Contact assignment 4pos:**

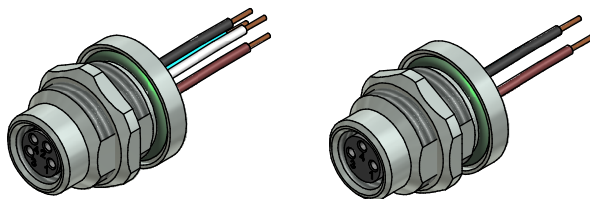
- 1) brown
- 2) white
- 3) blue
- 4) black

**Contact assignment 3pos:**

- 1) brown
- 3) blue
- 4) black



Minimum wall thickness 1,5mm, alternativ panel cut-out d=12,1



Part no:	Description:	Pos	Length L:	Wire:
42-01148	SAL - 8 - FKH4 - 0,2	4	0,2m	AWG 24 PVC, UL
42-xxxxx	SAL - 8 - FKH4 - ...	4	x	
42-01147	SAL - 8 - FKH3 - 0,2	3	0,2m	AWG 24 PVC, UL
42-xxxxx	SAL - 8 - FKH3 - ...	3	x	

DO NOT ALTER CAD DRAWING BY HAND Directive 2011/65/EU RoHS compliant		dim. in mm	title: <b>Female socket M8x1 with wire, backmounting</b>								
		<table border="1" style="font-size: 8px;"> <tr> <td></td> <td>date</td> <td>name</td> </tr> <tr> <td>drawn</td> <td>12.08.13</td> <td>Christen</td> </tr> <tr> <td>appd.</td> <td>12.08.13</td> <td>Mankopf</td> </tr> </table>				date	name	drawn	12.08.13	Christen	appd.
		date	name								
	drawn	12.08.13	Christen								
appd.	12.08.13	Mankopf									
tolerance of wire: L ≤ 0,5m: L + 20mm L > 0,5m: L + 4%			dwg no: <b>42K1A529</b>								
general tolerance: 0 ± 0,50mm 0,0 ± 0,25mm 0,00 ± 0,10mm					part no:						
THIS DRAWING MAY NOT BE COPIED OR REPRODUCED IN ANY WAY, AND MAY NOT BE PASSED ON TO A THIRD PARTY WITHOUT WRITTEN PERMISSION. OWNERSHIP AND COPYRIGHT OF CONEC GmbH											