

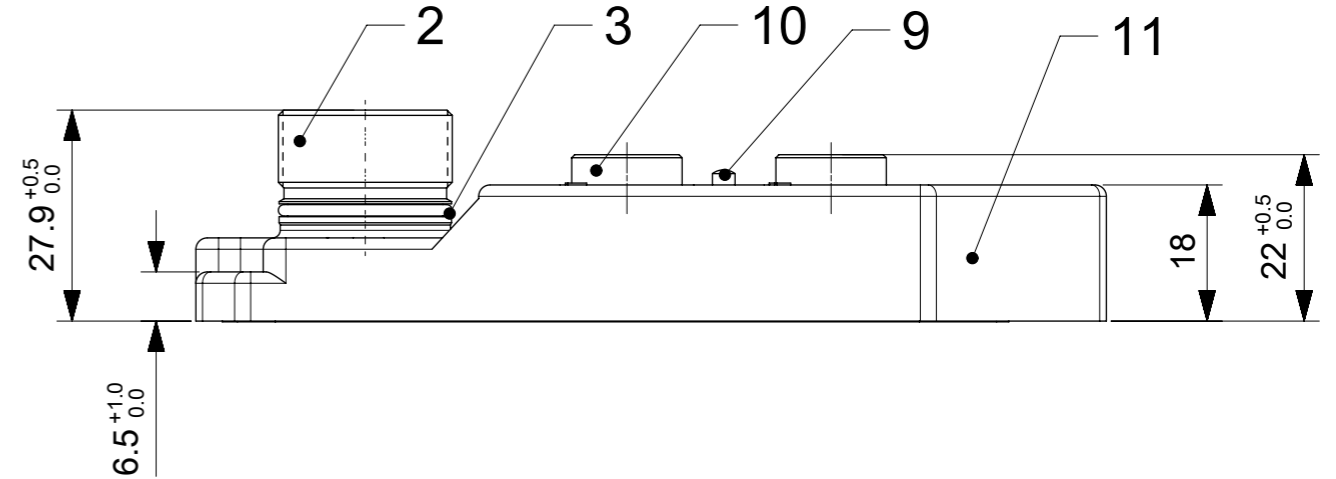
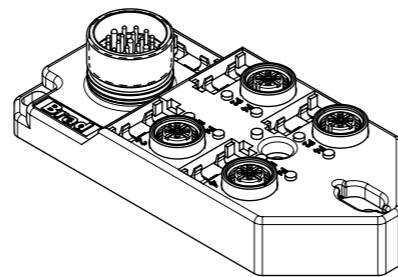
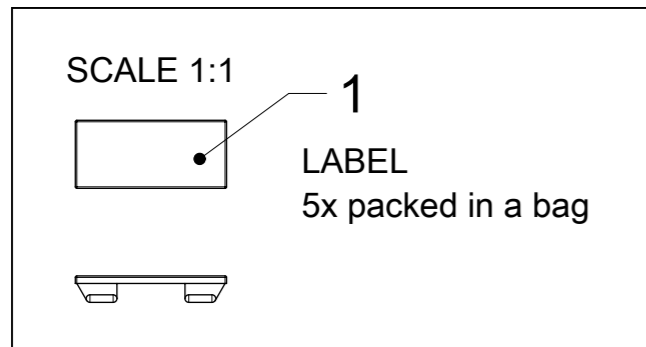
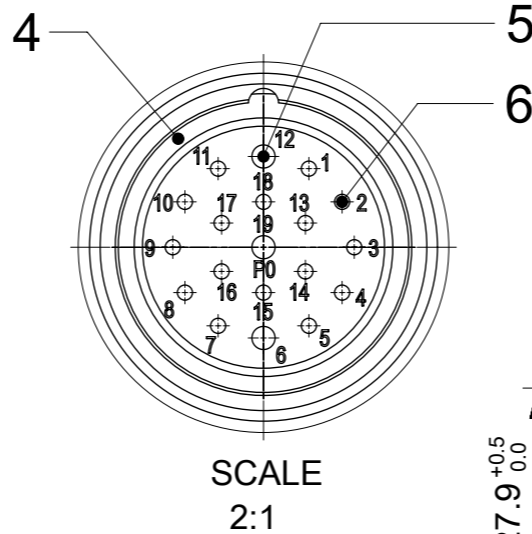
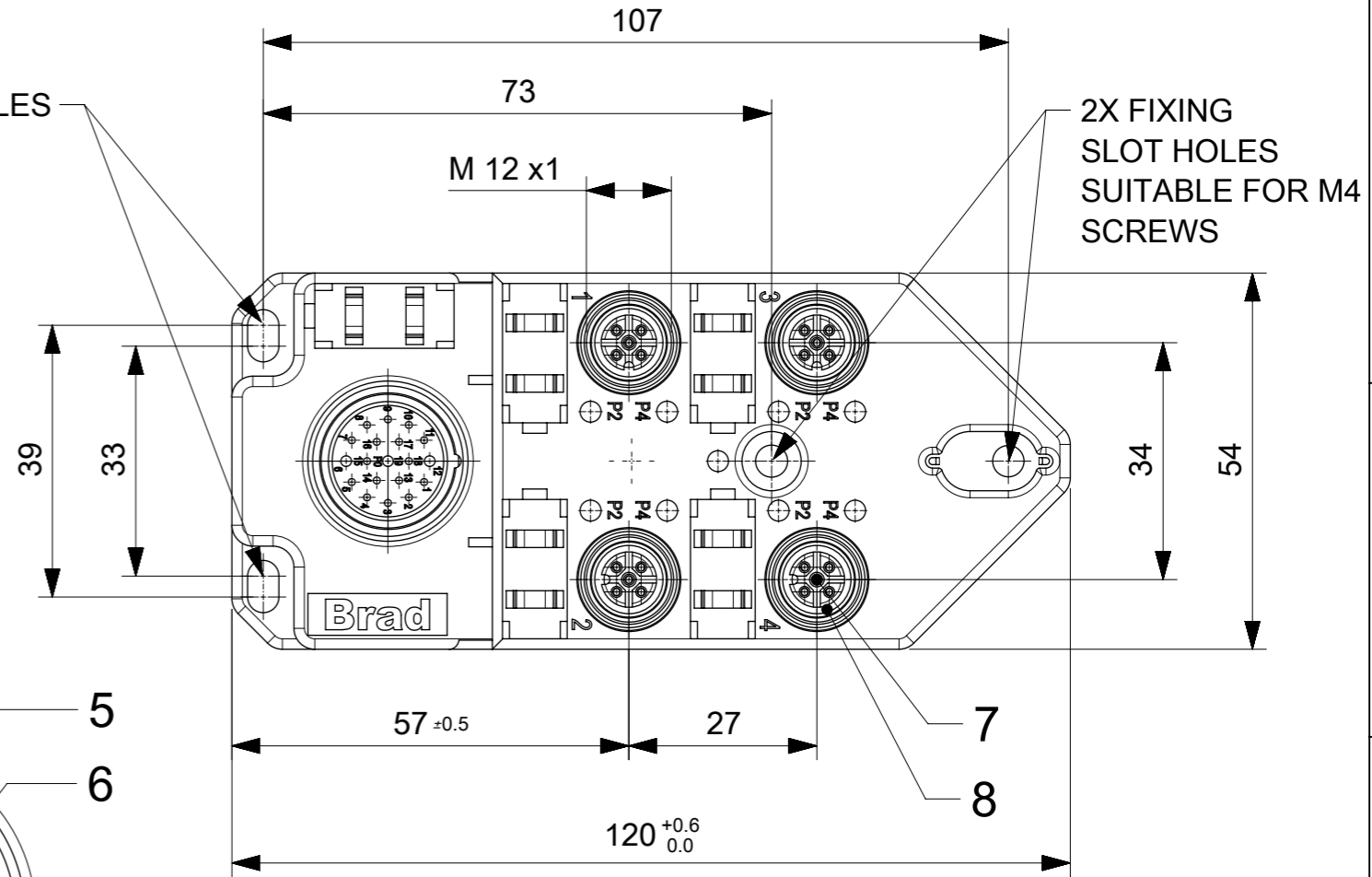
TABLE 1

MOLEX P/N	ENG. NO.	LED
1202480061	BTB4030-FBC	NO
1202480062	BTB403P-FBC	YES
1202480134	BTB403N-FBC	YES

TABLE 2 BILL OF MATERIAL

ITEM	DESCRIPTION	MATERIAL	FINISH
1	LABEL	ABS	WHITE
2	SHELL	BRASS	NICKEL PLATED
3	O-RING	NBR	BLACK
4	O-RING	NBR	BLACK
5	CONTACT	BRASS	GOLD OVER NICKEL
6	CONTACT	BRASS	GOLD OVER NICKEL
7	CONTACT	BRONZE	GOLD OVER NICKEL
8	O-RING	FPM	RED
9	LED	NO LED = PA	BLACK
		WITH LED = PA	TRANSPARENT
10	SHELL	BRASS	NICKEL PLATED
11	HOUSING	PBT	BLACK

2X FIXING SLOT HOLES  
SUITABLE FOR M4  
SCREWS



GENERAL CHARACTERISTICS:

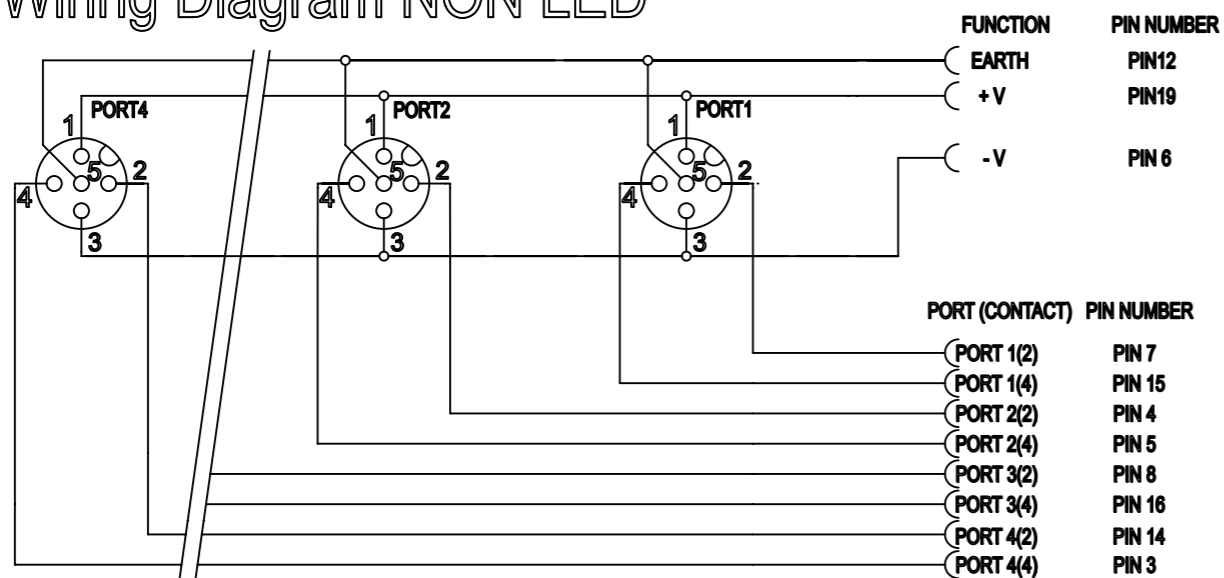
ELECTRICAL AND MECHANICAL DATA ACC. TO IEC 61076-2-101

NOMINAL VOLTAGE: 10-30 V DC  
 AMPERE RATING: 4 A PER PORT / 12 A MAX  
 AMPERE RATING WITH UL REGISTRATION: 3 A PER PORT / 9 A MAX  
 IP DEGREE OF PROTECTION: IP 67  
 TEMPERATURE RANGE: -25°C to + 85°C

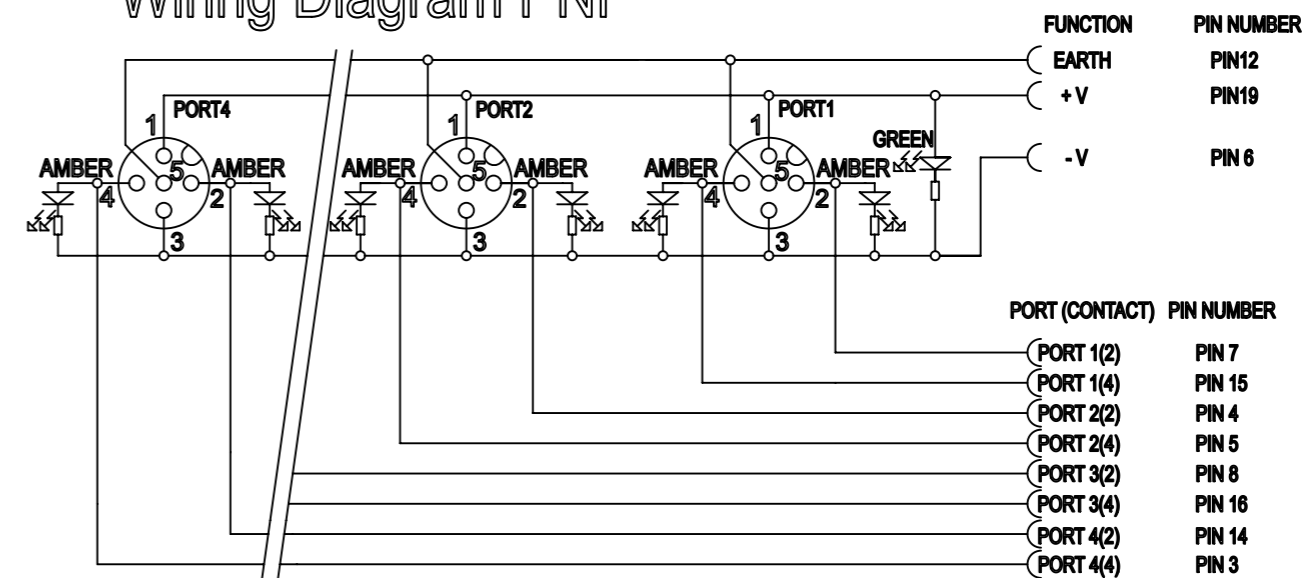
THIS DRAWING CONTAINS INFORMATION THAT IS PROPRIETARY TO MOLEX INCORPORATED AND SHOULD NOT BE USED WITHOUT WRITTEN PERMISSION

EC DESCRIPTION EC NO: 112767 DRWN: ULETTENMEIER 2017/01/24 CHK'D: APPR: RSILLER 2017/01/26	QUALITY SYMBOLS	GENERAL TOLERANCES (UNLESS SPECIFIED)	DIMENSION UNITS	SCALE	
	▽ = 0 ▽ = 0 ▽ = 0	ANGULAR TOL ± ° 4 PLACES ± 3 PLACES ± 2 PLACES ± 1 PLACE ± 0 PLACES ± 0.25	MM	1:1	
	▽ = 0 ▽ = 0 ▽ = 0	DRAFT WHERE APPLICABLE MUST REMAIN WITHIN DIMENSIONS	DRWN BY	DATE	
	▽ = 0 ▽ = 0 ▽ = 0		AAHLERS	2015/04/02	
			CHK'D BY	DATE	MPIS M12 PNP NPN NOS 5P 4PT 19P M23 BK XM STA DUAL
			APPR BY	DATE	
			RSILLER	2015/05/20	
			DRAWING SIZE	THIRD ANGLE PROJECTION	PRODUCT CUSTOMER DRAWING SERIES: 120248 MATERIAL NUMBER: SEE TABLE 1 CUSTOMER: GENERAL MARKET
A2	REV		A3		DOCUMENT NUMBER: 1202480061 DOC TYPE: PSD DOC PART: 000 SHEET NUMBER: 1 OF 2

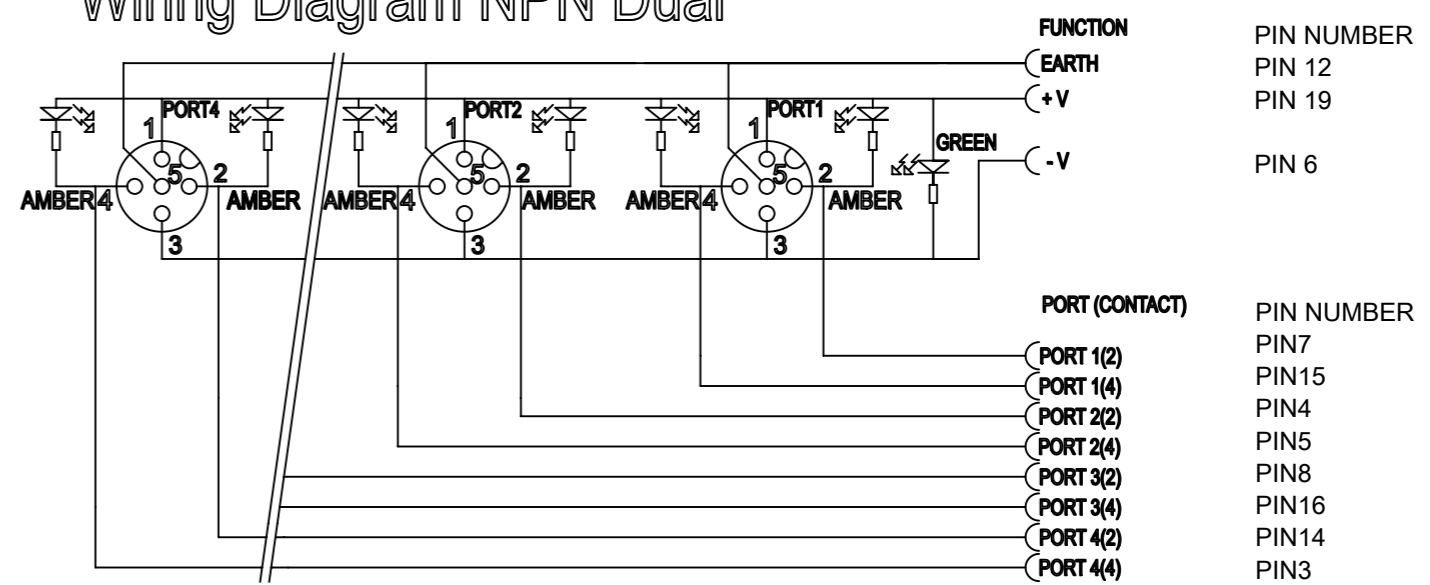
### Wiring Diagram NON LED



### Wiring Diagram PNP



### Wiring Diagram NPN Dual



THIS DRAWING CONTAINS INFORMATION THAT IS PROPRIETARY TO MOLEX INCORPORATED AND SHOULD NOT BE USED WITHOUT WRITTEN PERMISSION

EC DESCRIPTION EC NO: 112767 DRWN: ULETTENMEIER 2017/01/24 CHK'D: APPR: RSILLER 2017/01/26	QUALITY SYMBOLS ∇ = 0 ∇ = 0 ∇ = 0 ▼ = 0 ∇ = 0 ⊠ = 0 ■ = 0 ∇ = 0	GENERAL TOLERANCES (UNLESS SPECIFIED) ANGULAR TOL ± ° 4 PLACES ± 3 PLACES ± 2 PLACES ± 1 PLACE ± 0 PLACES ± 0.25 DRAFT WHERE APPLICABLE MUST REMAIN WITHIN DIMENSIONS	DIMENSION UNITS MM DRWN BY AAHLERS CHK'D BY DATE 2015/04/02 APPR BY RSILLER DATE 2015/05/20 DRAWING SIZE A3 THIRD ANGLE PROJECTION	SCALE 5:1 DATE 2015/04/02 DATE 2015/05/20 THIRD ANGLE PROJECTION	<b>molex</b> MPIS M12 PNP NPN NOS 5P 4PT 19P M23 BK XM STA DUAL			
	PRODUCT CUSTOMER DRAWING							
A2		REV		SERIES 120248	MATERIAL NUMBER SEE TABLE 1	CUSTOMER GENERAL MARKET		
DOCUMENT NUMBER 1202480061				DOC TYPE PSD	DOC PART 000	SHEET NUMBER 2 OF 2		