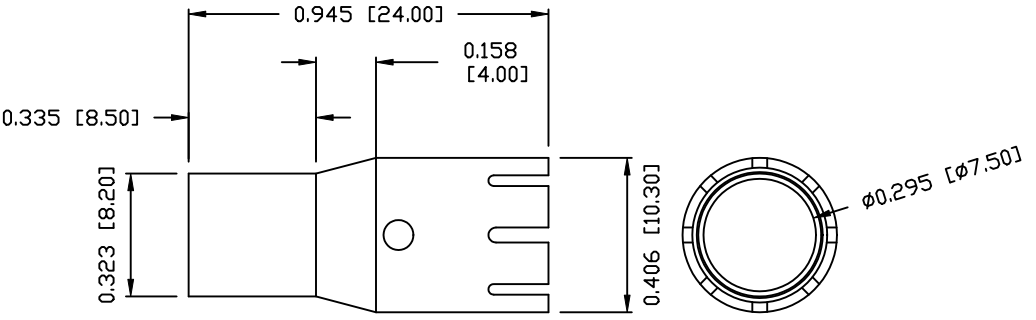
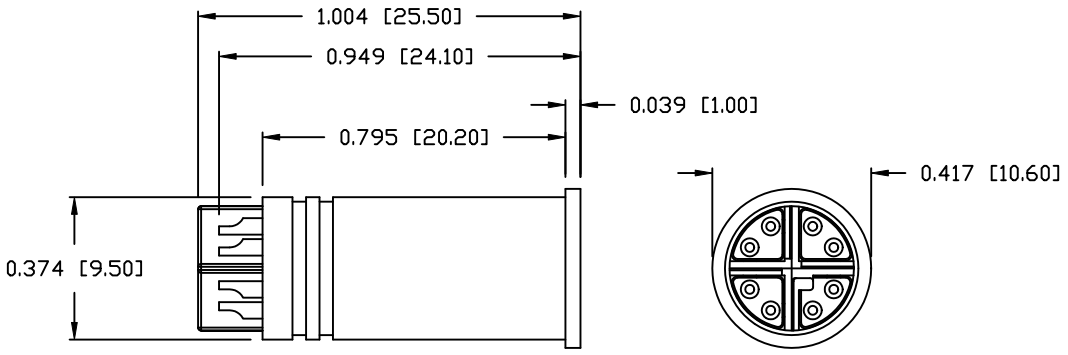
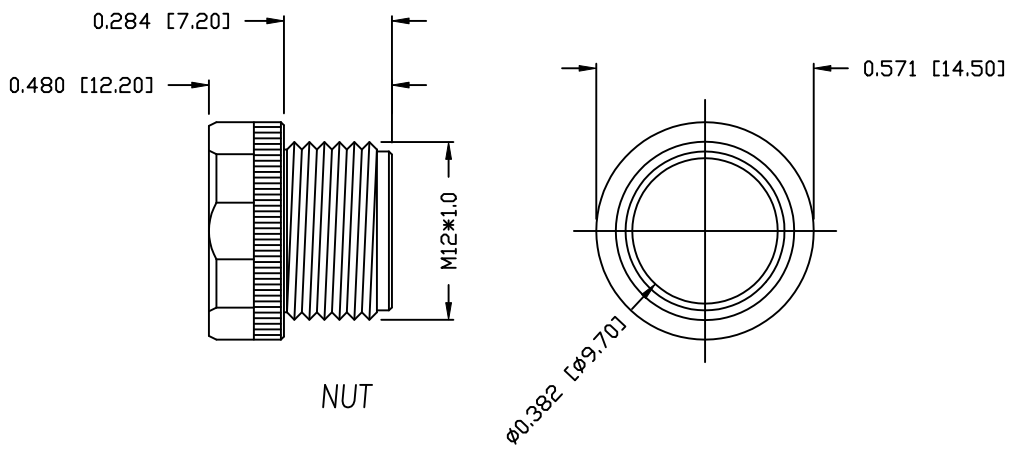


NOTE:

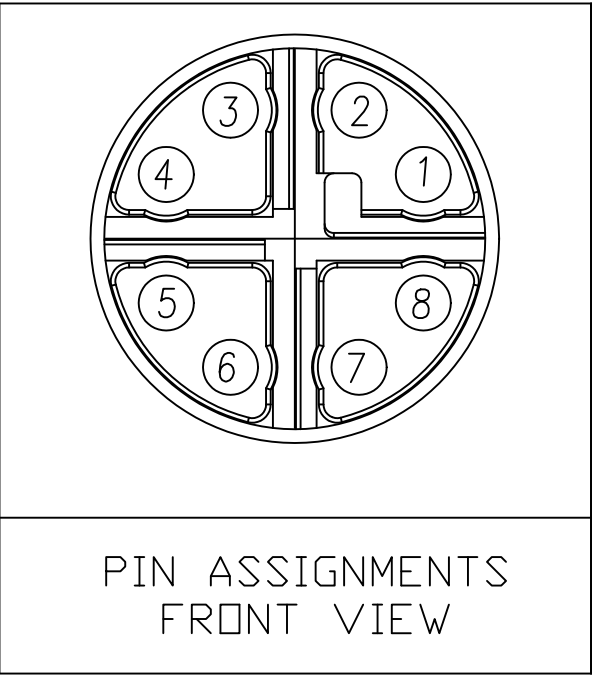
MATERIAL	
HOUSING:	PBT UL94V-0, BLACK
CONTACT:	BRASS
SHELL:	ZINC ALLOY
NUT:	BRASS
BACK SHELL:	BRASS
FINISH	
CONTACT:	GOLD 10 μ m MIN. OVER 50 μ m NICKEL
SHELL:	NICKEL PLATED
NUT:	NICKEL PLATED
BACK SHELL:	NICKEL PLATED
ELECTRICAL	
RATED CURRENT:	0.5A
RATED VOLTAGE:	48V
INSULATION RESISTANCE:	100 m Ω hms MIN.
CONTACT RESISTANCE:	10 M Ω hms MAX.
WATER PROOF:	IP67
ENVIRONMENT	
OPERATION TEMPERATURE:	-40°C TO +85°C
WIRE GAUGE:	24-28 AWG



BACK SHELL



NUT



PIN ASSIGNMENTS
FRONT VIEW

RoHS COMPLIANT

DO NOT SCALE FROM DRAWING



THESE DRAWINGS AND SPECIFICATIONS ARE THE PROPERTY OF NorComp AND SHALL NOT BE REPRODUCED, COPIED OR USED AS THE BASIS FOR THE MANUFACTURE OR SALE OF APPARATUS WITHOUT WRITTEN PERMISSION.

DRAWN:	M. SIGMON	DATE:	08-12-16
CHECKED:		DATE:	

NorComp

SCALE:	N.T.S.	SHEET	1	OF	1	REV	1
DWG NO.	858-X08-103RLS4						