

SUMMARY

Wires

Low	0
High	0
Coax	0
Triax	0
Quad	0
Fiber	0
Fluidic	0

Series SP

Termination type

IP rating 50

Cable Ø 0.00 - 0.00 mm

Matching parts SAP.M04.GLA.6G

Status

Alternative part



Image is for illustrative purpose only

Download

[Request a quote](#)

[Catalog](#)

TECHNICAL DETAILS

Mechanics

Shell Style/Model	SK_.SP*: Fixed socket, key (N) or keys (P, S and T),grey, with two nuts (back panel mounting)
Keying	3 key (alpha=60, plug: male contacts, receptacle: female contacts)
Housing Material	
Cable Fixing	∅ 0 - 0 mm
Variant	G : Gray front nut

Performance

Configuration	
Insulator	
Rated Current	11.5 Amps

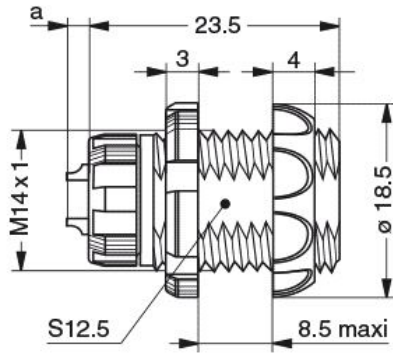
Specifications

Test voltage (kV rms) Contact-contact:	1.60
Air clearance min. (mm) or Creepage distance min. (mm):	0.95

Others

DRAWINGS

Draws



Dimensions

	B	E _{max}	N	a	e
mm.	18.5	8.5	23.5	2.2	M14x1
in.	0,73	0,33	0,93	0,09	

RECOMMENDED BY LEMO

Tools

None

Cables