

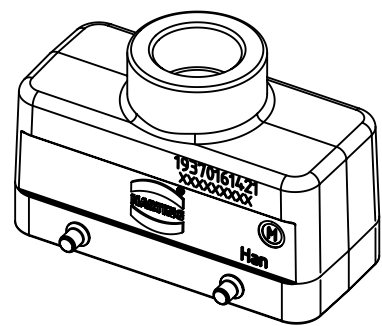
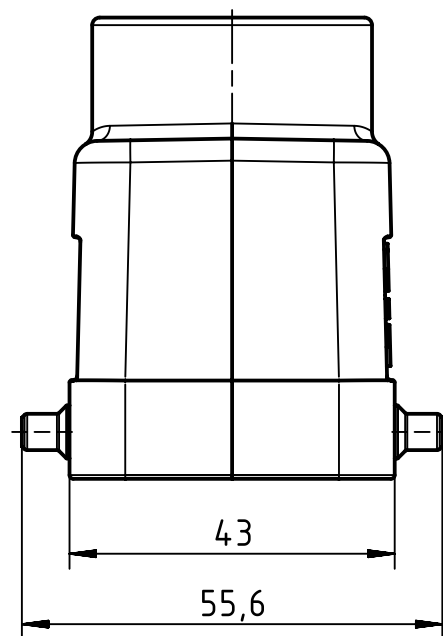
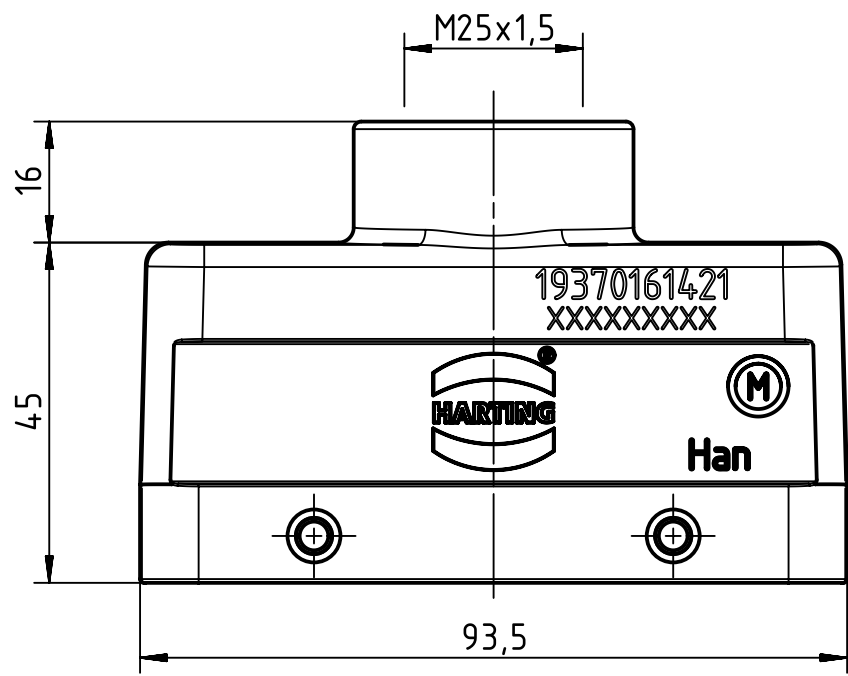
1 2 3 4 5 6

A

B

C

D



	All Dimensions in mm Original Size DIN A4		Scale 1:1	Free size tol.		Ref.	
						Sub.	
	All rights reserved		Created by RULLKOETTER	Inspected by BERGHORN	Standardisation SCHMIDTM	Date 2013-05-27	State Final Release
	Department EL PD - DE		Title Han 16M-gg-M25			Doc-Key / ECM-Nr. 100193243/UGD/004/A 500000062373	
HARTING Electric GmbH & Co. KG D-32339 Espelkamp			Type TB	Number 19 37 016 1421		Rev. A	Page 1/1