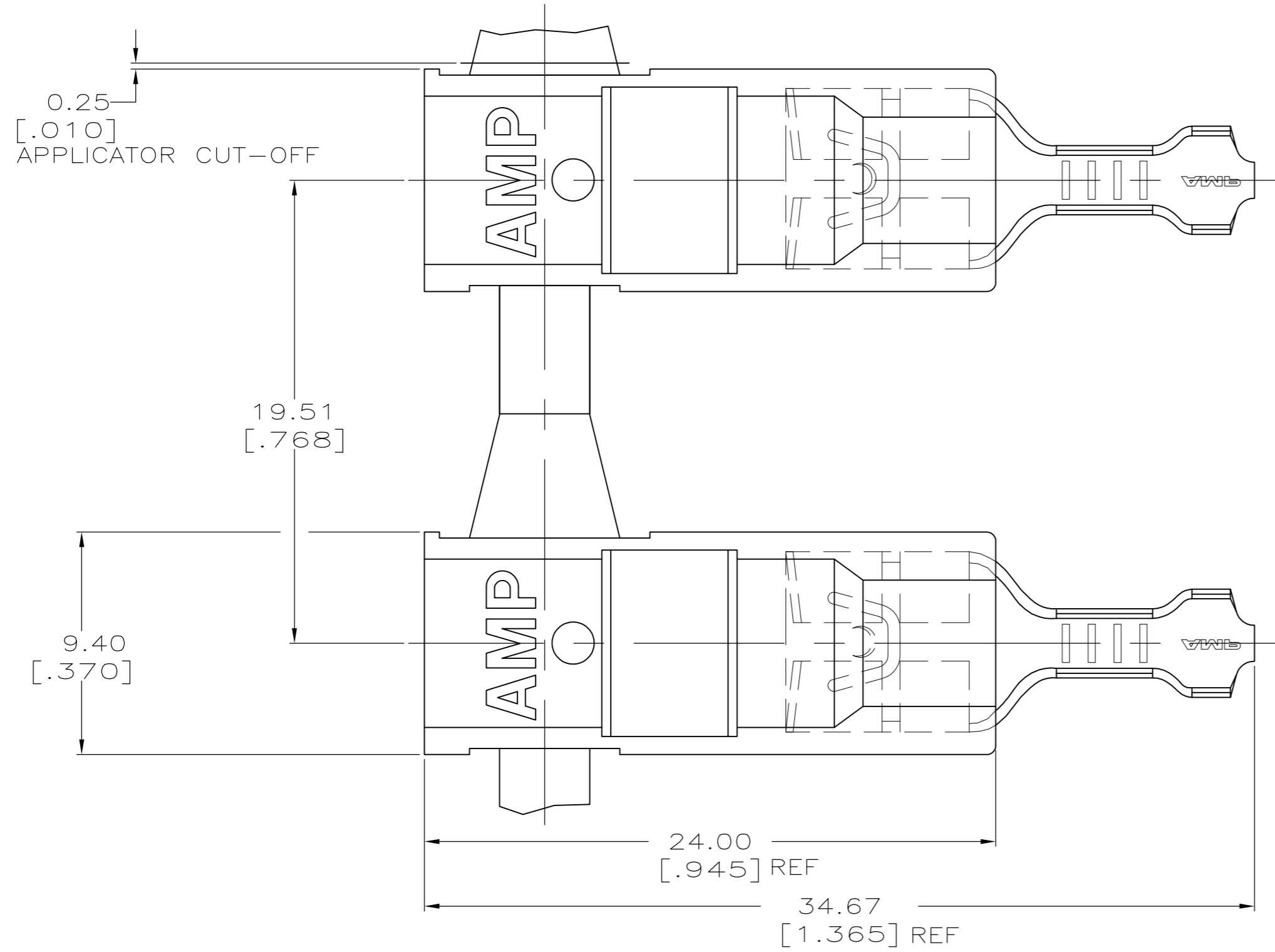
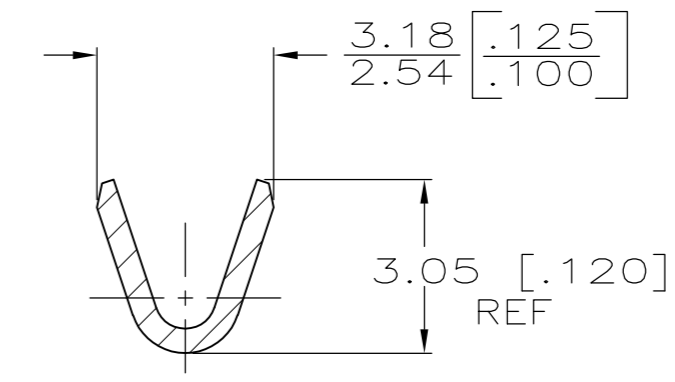


THIS DRAWING IS UNPUBLISHED. RELEASED FOR PUBLICATION
 © COPYRIGHT - By - ALL RIGHTS RESERVED.

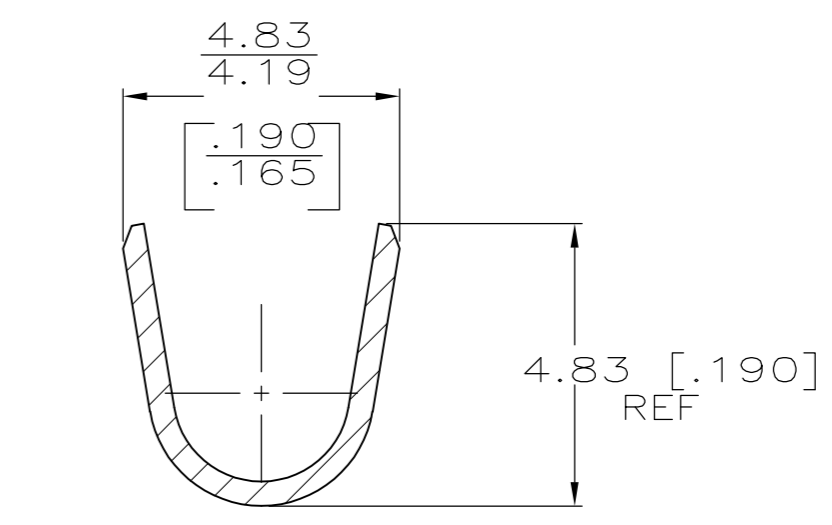
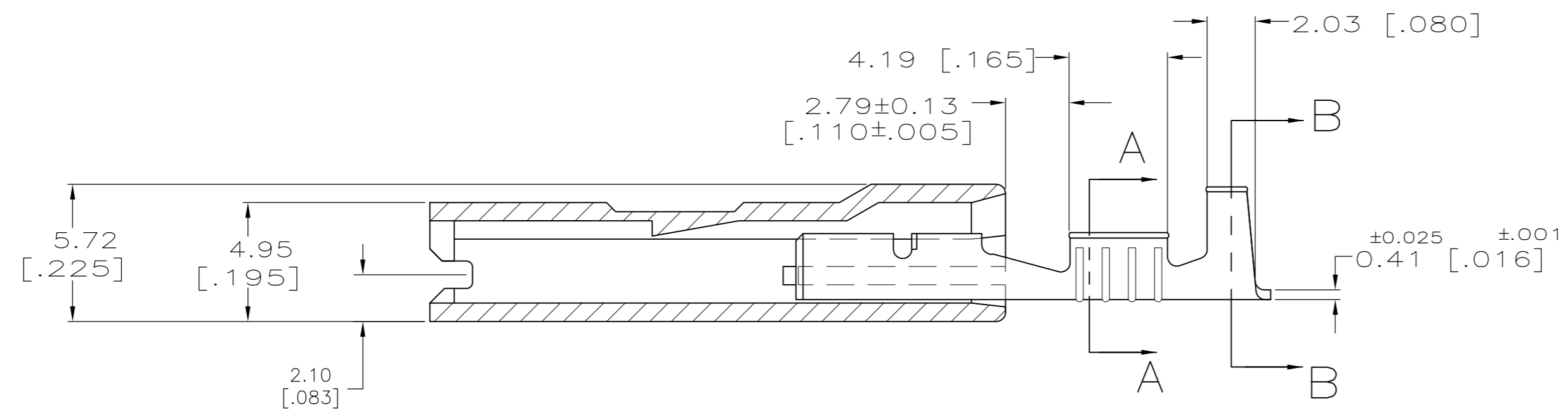
LOC		DIST		REVISIONS			
P	LTR	DESCRIPTION		DATE	DWN	APVD	
	B	REVISED PER ECO-15-015531		28OCT15	JR	MD	



- 1 LOW-INSERTION FASTON TERMINALS, BASE PART NUMBER 2238027, ARE USED IN THIS PRODUCT.
- 2 OFFERED FOR CONSIDERATION IN APPLICATIONS REQUIRING "NON-DRIP" HOUSING MATERIAL.
- △3 PRE-PRODUCTION FASR REQUIRED.
- 4 WIRE SIZE: 0.3-0.8 mm² [22-18]
- 5 INSULATION RANGE: 2.29-3.30 [.090-.130]
- 6 MATING TAB THICK: 0.81±0.025[.032±.001]
- △7 GLOW WIRE APPROVED: CONTACT TE ENGINEERING FOR SPECIFICATION (ALL WALL THICKNESS ARE BETWEEN 0.4 - 3.0 [.015-.118]).



SECTION A-A
SCALE 8:1



SECTION B-B
SCALE 8:1

TIN PLATE	NATURAL, V2, WHITE	△7/3	1969161-3
TIN PLATE	NYLON 66, V0	△3	1969161-2
PLAIN	NATURAL (WHITE)	△3	1969161-1
TERMINAL FINISH	HOUSING		PART NO

THIS DRAWING IS A CONTROLLED DOCUMENT.		DWN	13OCT09	 TE Connectivity	NAME		ASSEMBLY, HOUSING & RECEPTACLE, 6.35 [.250] SERIES ULTRA-POD	
DIMENSIONS: mm [INCHES]		CHK	13OCT09		PRODUCT SPEC			SIZE
TOLERANCES UNLESS OTHERWISE SPECIFIED:		APVD	13OCT09		APPLICATION SPEC			CAGE CODE
0 PLC ± -		G PORTA			108-1285			DRAWING NO
1 PLC ± -		G PORTA		114-2124		RESTRICTED TO		
2 PLC ± 0.25 [.010]		G PORTA		WEIGHT		SCALE		
3 PLC ± -		G PORTA		-		SHEET		
4 PLC ± -		G PORTA		CUSTOMER DRAWING		REV		
ANGLES ± -		G PORTA		FINISH				
SEE TABLE		G PORTA		MATERIAL				
		G PORTA		BRASS				