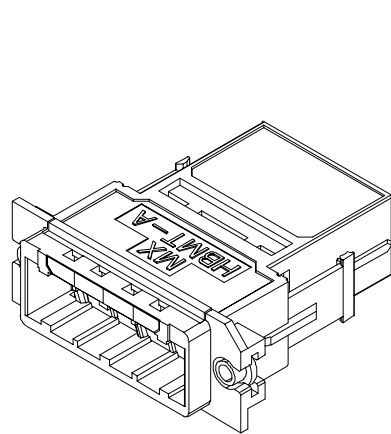
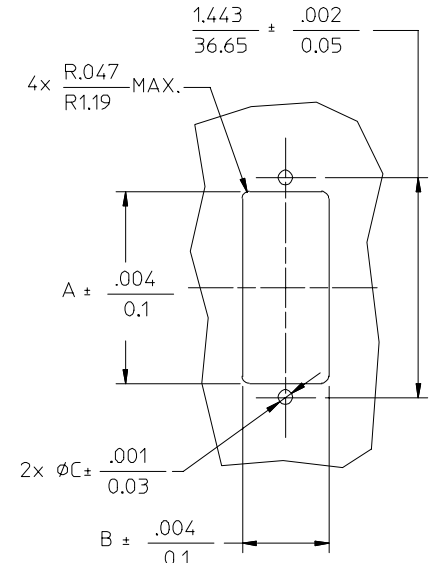
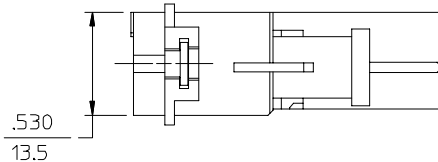
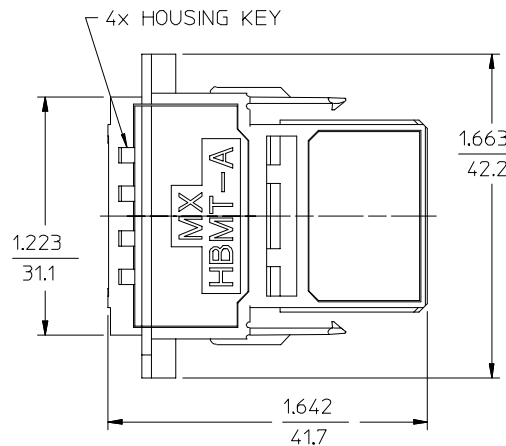
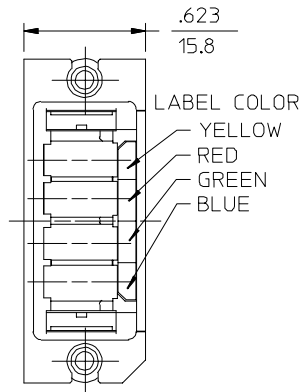


ADAPTER P/N	MOUNTING	FLOAT	PLATING	A	B	C	D WHEN E<.158 (4)	D WHEN E>.158 (4)	MATES WITH DAUGHTER CARD CONNECTOR P/N	BACKPLANE MATERIAL
106105-0000	RIVET	YES	NO	1.263 (32.08)	.570 (14.48)	.095 (2.41)	.367 (9.32)-E	.209 (5.31)	106105-0100, 106105-1100, 106105-2100	ANY
106105-1000	SCREW	YES	NO	1.263 (32.08)	.570 (14.48)	.090 (2.29)	.417 (10.59)-E	.259 (6.58)	106105-0100, 106105-1100, 106105-2100	NON-METALLIC
106105-1001	SCREW	YES	NO	1.263 (32.08)	.570 (14.48)	.090 (2.29)	.417 (10.59)-E	.259 (6.58)	106105-0100, 106105-1100, 106105-2100	ANY
106105-2200	SCREW	NO	YES	1.233 (31.32)	.540 (13.72)	.090 (2.29)	.417 (10.59)-E	.259 (6.58)	106105-2300	ANY
106105-2000	SCREW	NO	NO	1.233 (31.32)	.540 (13.72)	.090 (2.29)	.417 (10.59)-E	.259 (6.58)	106105-2100	ANY



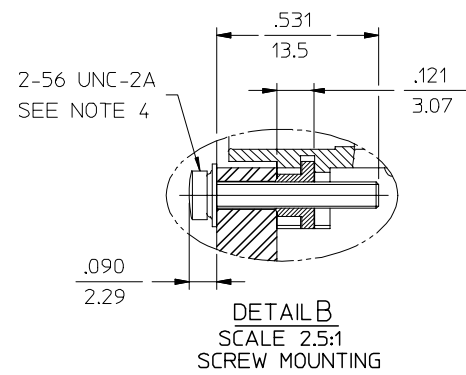
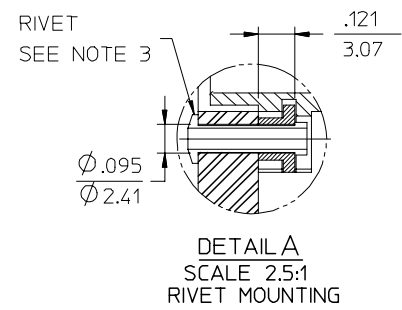
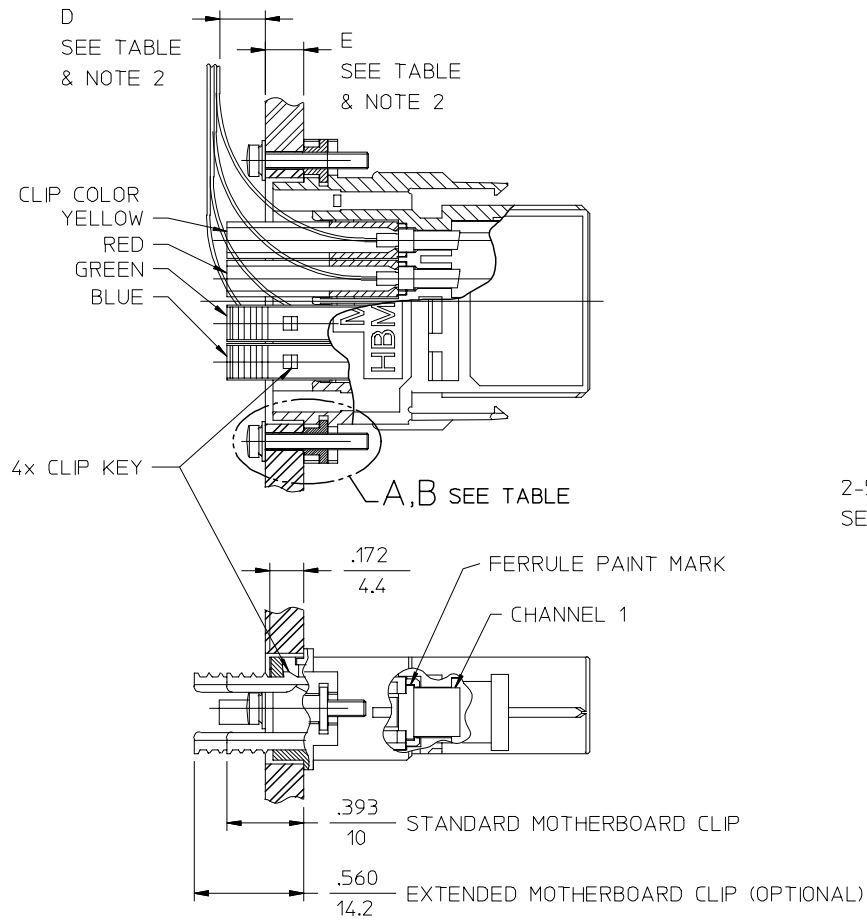
ISOMETRIC VIEW



NOTES:

- WHEN DIMENSION E IS GREATER THAN .158 (4), MOTHERBOARD MAY BE RECESSED FOR SCREW HEAD TO REDUCE DIMENSION D.
- RIVETS NOT INCLUDED WITH ADAPTER.
- SCREWS ARE INCLUDED WITH ADAPTER AND ARE INSTALLED BY USER.
 RECOMMENDED TORQUE: 2.5 TO 4 IN.LBS (0.28 TO 0.45 N.m) DEPENDING ON SUBSTRATE MATERIAL AND SCREW TYPE. USER IS ENCOURAGED TO DETERMINE THE PROPER TORQUE TO USE BY TRIAL (SEE MACHINERY'S HANDBOOK FOR PROCEDURE).
- ASSEMBLY TOOL (MOLEX P/N 86902-1400) IS REQUIRED TO MOUNT ADAPTER P/N 106105-1001 TO BACKPLANE.

ENTER DESCRIPTION EC NO: MF2006-0296 DRWN:PGIBL IN 2005/11/29 CHKD: 2005/11/29 APPR:IGUMIN 2005/11/29	QUALITY SYMBOLS ▽=0 ▽=0	GENERAL TOLERANCES (UNLESS SPECIFIED) mm INCH 4 PLACES ± --- ± --- 3 PLACES ± --- ± --- 2 PLACES ± --- ± --- 1 PLACE ± --- ± --- ANGULAR ± 1 °	DIMENSION STYLE IN/MM DRAWN BY PGIBL IN DATE 2005/10/31 CHECKED BY DATE APPROVED BY DATE	SCALE 2:1 DESIGN UNITS INCH THIRD ANGLE PROJECTION	TITLE HBMT MOTHERBOARD ADAPTER	
	MATERIAL NO. SEE TABLE DOCUMENT NO. SD-106105-100X SHEET NO. 1 OF 02	MOLEX INCORPORATED				
	DRAFT WHERE APPLICABLE MUST REMAIN WITHIN DIMENSIONS					
	THIS DRAWING CONTAINS INFORMATION THAT IS PROPRIETARY TO MOLEX INCORPORATED AND SHOULD NOT BE USED WITHOUT WRITTEN PERMISSION					



ENTER DESCRIPTION EC NO: MF2006-0296 DRWN: PGIBL IN 2005/11/29 CHKD: 2005/11/29 APPR: IGUMIN 2005/11/29	QUALITY SYMBOLS ▽=0 ▽=0	GENERAL TOLERANCES (UNLESS SPECIFIED)		DIMENSION STYLE IN/MM	SCALE 2:1	DESIGN UNITS INCH	THIRD ANGLE PROJECTION																							
		<table border="1"> <thead> <tr> <th></th> <th>mm</th> <th>INCH</th> </tr> </thead> <tbody> <tr> <td>4 PLACES</td> <td>± ---</td> <td>± ---</td> </tr> <tr> <td>3 PLACES</td> <td>± ---</td> <td>± ---</td> </tr> <tr> <td>2 PLACES</td> <td>± ---</td> <td>± ---</td> </tr> <tr> <td>1 PLACE</td> <td>± ---</td> <td>± ---</td> </tr> </tbody> </table>		mm	INCH	4 PLACES	± ---	± ---	3 PLACES	± ---	± ---	2 PLACES	± ---	± ---	1 PLACE	± ---	± ---	<table border="1"> <tr> <td>DRAWN BY</td> <td>DATE</td> </tr> <tr> <td>PGIBL IN</td> <td>2005/10/31</td> </tr> <tr> <td>CHECKED BY</td> <td>DATE</td> </tr> <tr> <td>APPROVED BY</td> <td>DATE</td> </tr> </table>	DRAWN BY	DATE	PGIBL IN	2005/10/31	CHECKED BY	DATE	APPROVED BY	DATE	TITLE HBMT MOTHERBOARD ADAPTER	MOLEX INCORPORATED		
		mm	INCH																											
	4 PLACES	± ---	± ---																											
3 PLACES	± ---	± ---																												
2 PLACES	± ---	± ---																												
1 PLACE	± ---	± ---																												
DRAWN BY	DATE																													
PGIBL IN	2005/10/31																													
CHECKED BY	DATE																													
APPROVED BY	DATE																													
DRAFT WHERE APPLICABLE MUST REMAIN WITHIN DIMENSIONS	MATERIAL NO. SEE TABLE	DOCUMENT NO. SD-106105-100X	SHEET NO. 2 OF 02	THIS DRAWING CONTAINS INFORMATION THAT IS PROPRIETARY TO MOLEX INCORPORATED AND SHOULD NOT BE USED WITHOUT WRITTEN PERMISSION																										