

DETAILS

Product Number	C12599_LENINA-W
Family	Lenina
Type	Reflector
Color	metal
Diameter	74 mm
Height	40 mm
Style	round
Optic Material	PC
Holder Material	
Fastening	
Status	production ready
ROHS Compliant	Yes
Date Updated	1/02/2017



OPTICAL PROPERTIES

LED	Viewing	Light	Effi-		Connector
	Angle	Beam	ciency	cd/lm	
V13 Gen7	sim: 46	Wide	sim: 90 %	sim: 1.280	IDEAL: 50-2103CT + 50-2100AN
CLL04x/CLU04x	54 deg	Wide	87 %	1.100	IDEAL: 50-2204CT + 50-2100LN
CLL04x/CLU04x	57 deg	Wide	82 %	1.000	A.A.G. STUCCHI: 8102/G2 + S-8000/12
CXA/B 30xx	sim: 46	Wide	sim: 89 %	sim: 1.300	IDEAL: 50-2234C + 50-2100LN
LUXEON CoB 1216	58 deg	Wide	84 %	0.960	A.A.G. STUCCHI: 8102/G2 + S-8000/12

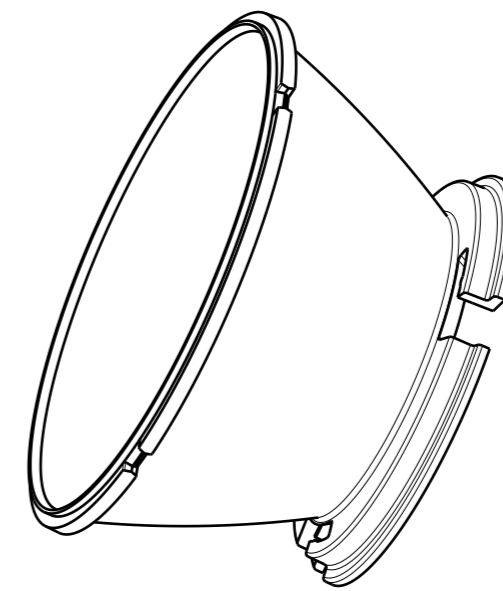
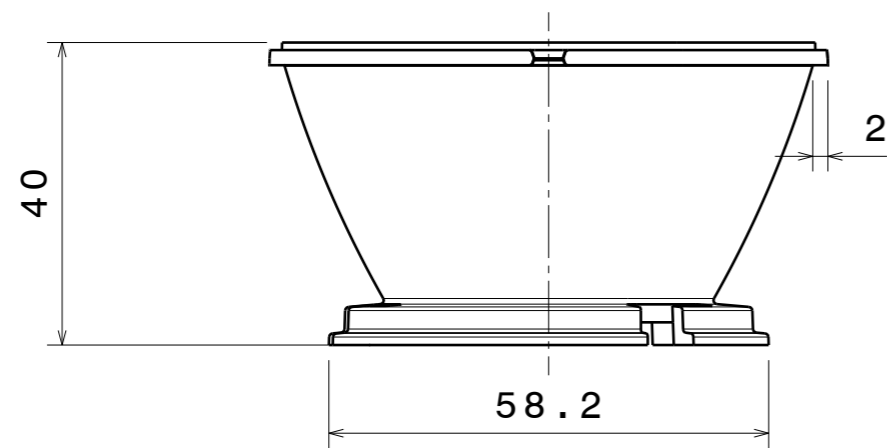
This drawing applies to:

C12597_LENINA-S

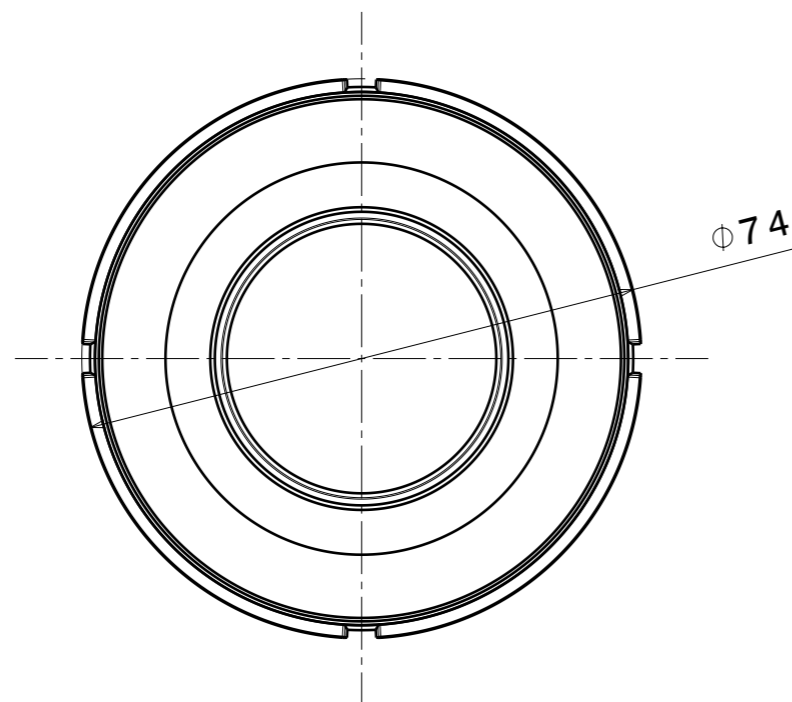
C12598_LENINA-M

C12599_LENINA-W

C12958_LENINA-XW



Isometric view



INDEX	PART NO	DESCRIPTION
1	Lenina-reflector	PC

Tolerances if not otherwise shown
 According to DIN ISO 2768-1
 Linear measures:
 Up to 30mm class M, otherwise class C.
 According to DIN ISO 2768-2
 Form and position: class L



Ledil Oy
 Salorankatu 10
 FIN 24240 SALO
 Finland

THIRD ANGLE PROJECTION:

DRAWING TITLE
LENINA_datasheet

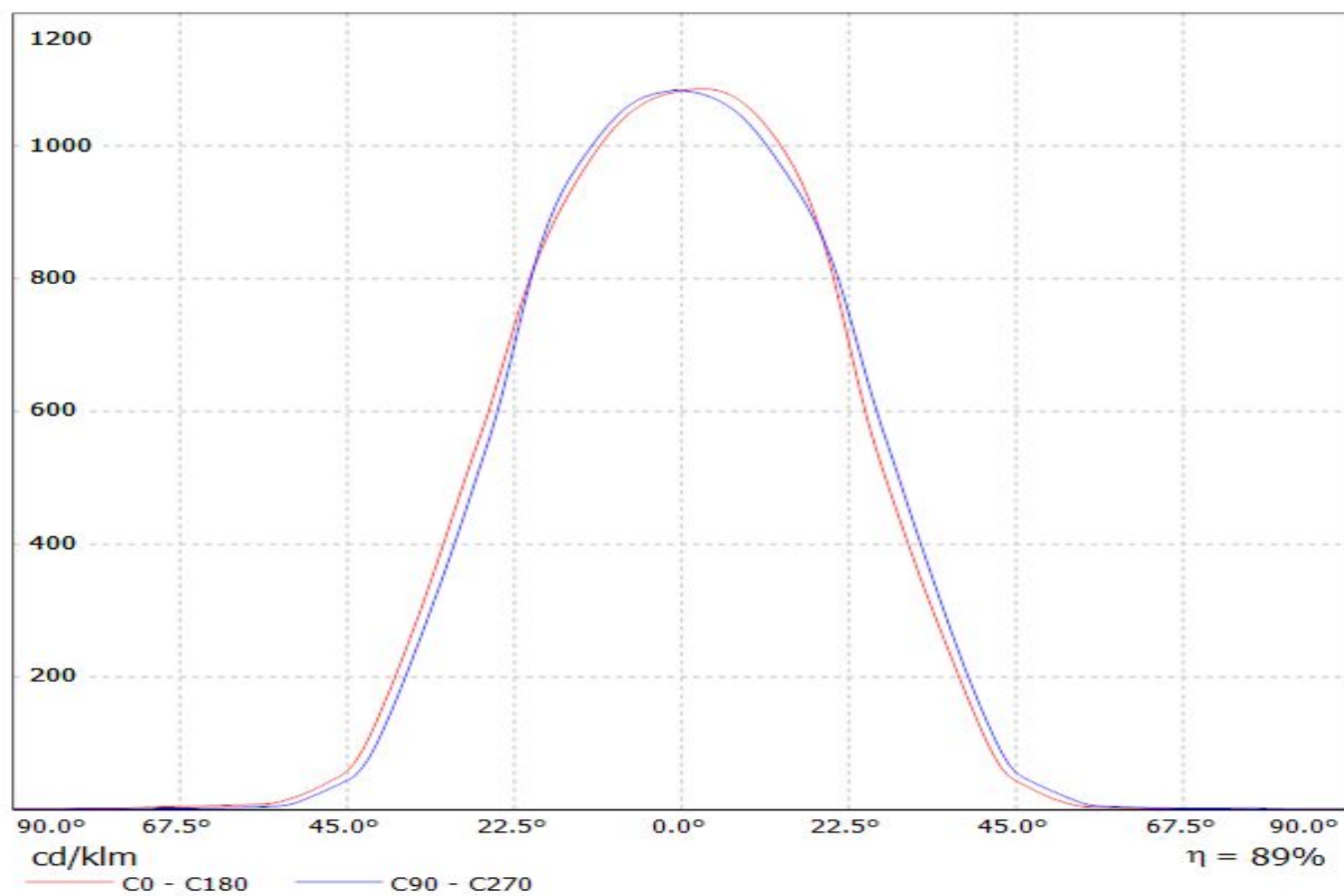
This drawing is the property of LEDiL Oy. It may not be reproduced, copied or communicated without a written agreement with LEDiL Oy."

SIZE	PART NUMBER	
A3	-	

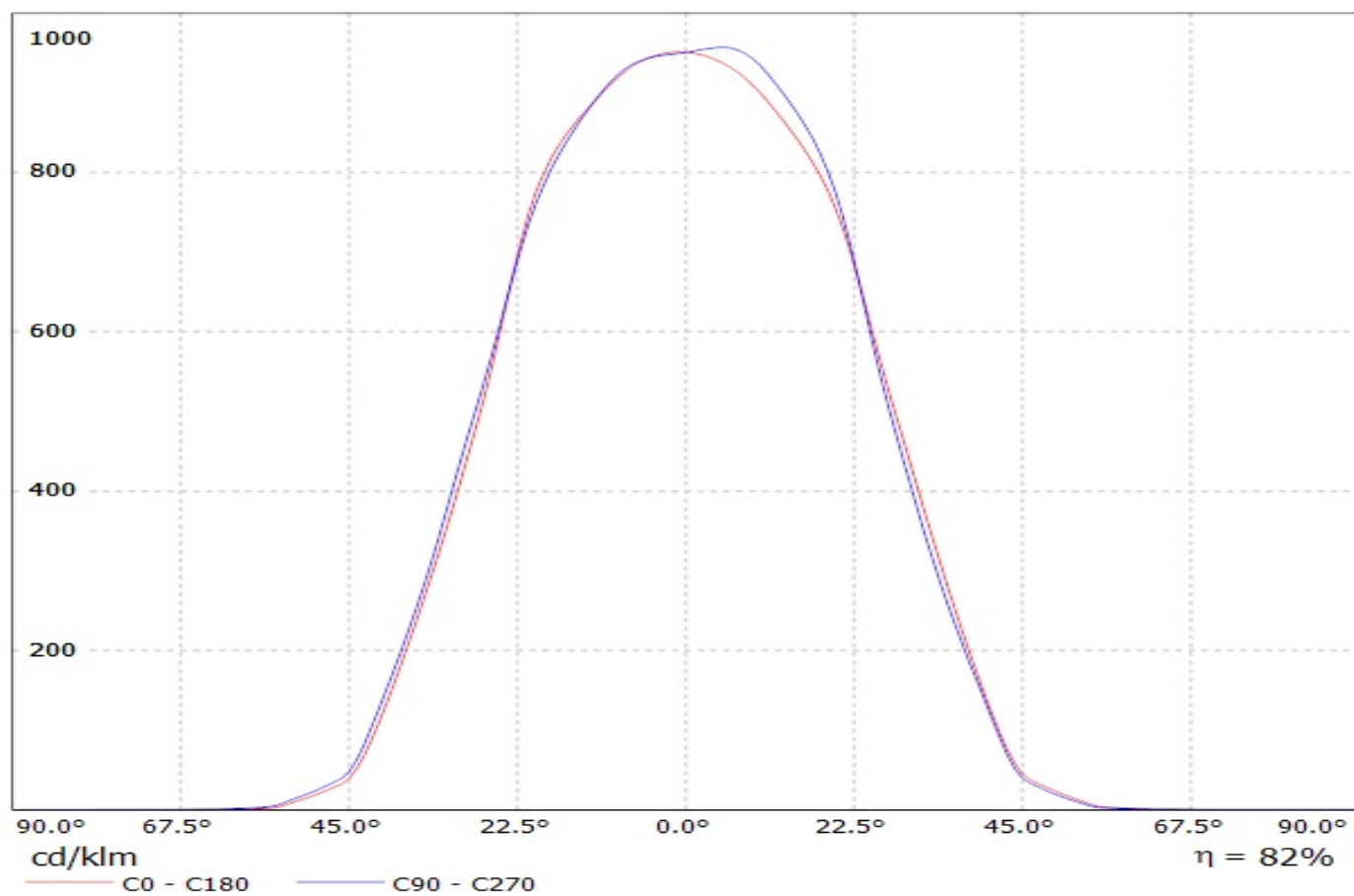
SCALE	1:1	WEIGHT	-	SHEET	1/1
-------	-----	--------	---	-------	-----

Luminaire: LEDiL Oy C12599_LENINA-W_(CLL040)

Lamps: 1 x Citizen_CLL040_(CLL040-1218A-50KL1A1)_1158.48lm@250mA_P=8.26844W_I=249.9mA

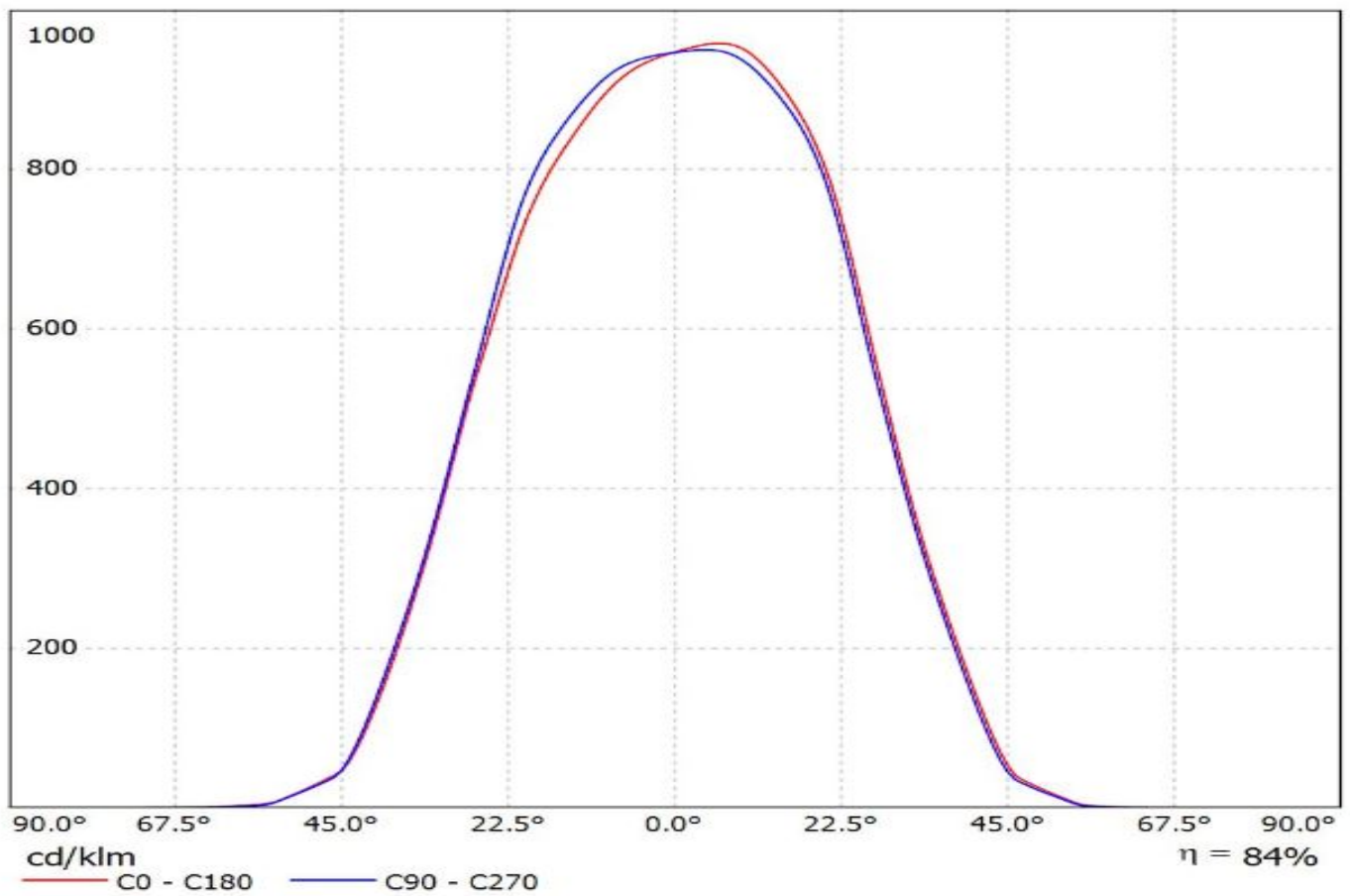


Luminaire: LEDiL Oy C12599_LENINA-W_(CLU044+_8102-G2+_S-8000-12)
Lamps: 1 x Citizen_CLU044_(1212B8-303M1A2)_546.982lm@100mA_P=3.2W_I=0.1A



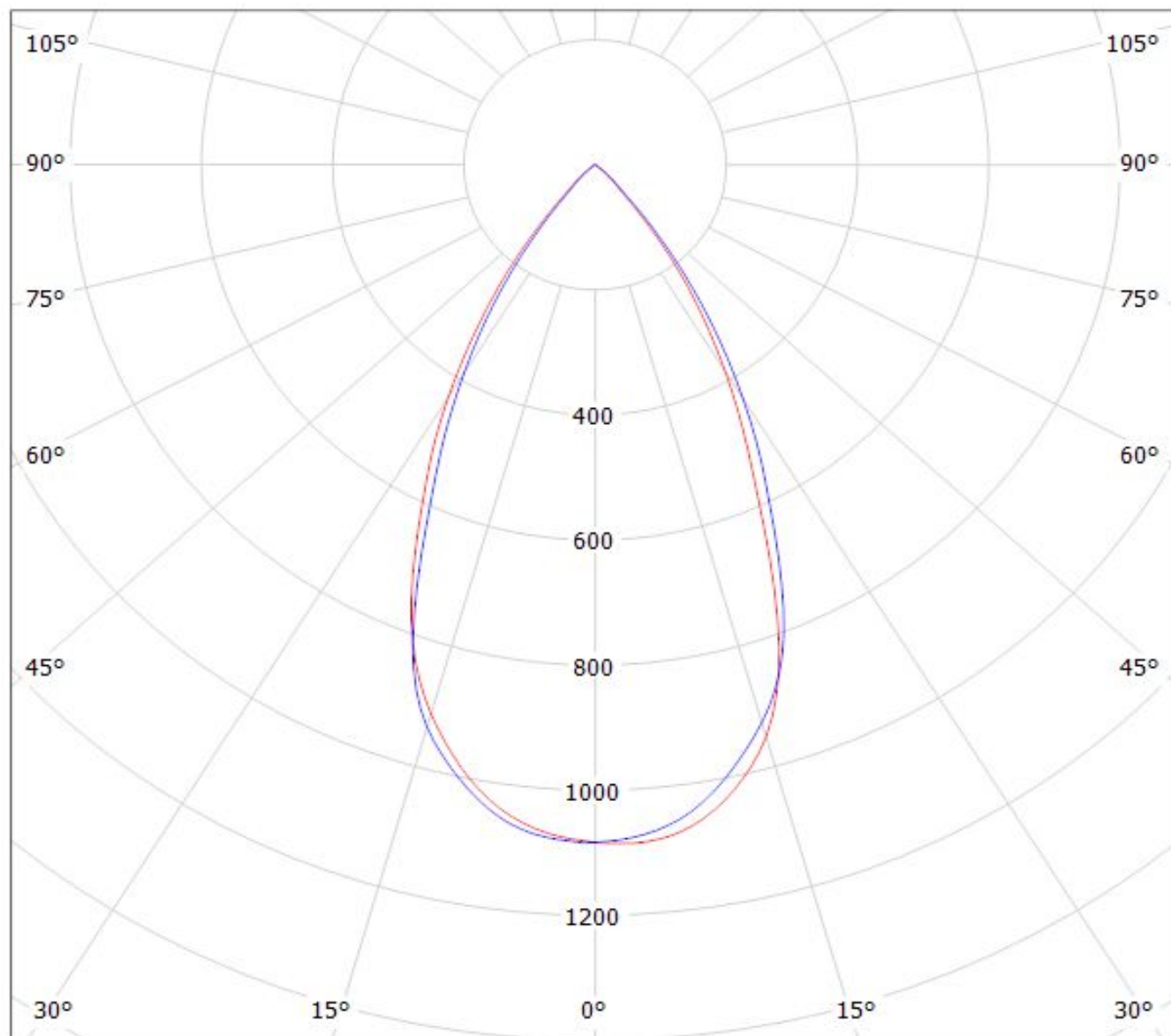
Luminaire: Ledil C12599_LENINA-W_(CoB_1216)

Lamps: 1 x Luxeon_CoB_1216_(L2C2-40801216E2300)_1475.81lm@250mA_P=7.9980W_I=0.25A



Luminaire: LEDiL Oy C12599_LENINA-W_(CLL040)

Lamps: 1 x Citizen_CLL040_(CLL040-1218A-50KL1A1)_1158.48lm@250mA_P=8.26844W_I=249.9mA



cd/klm

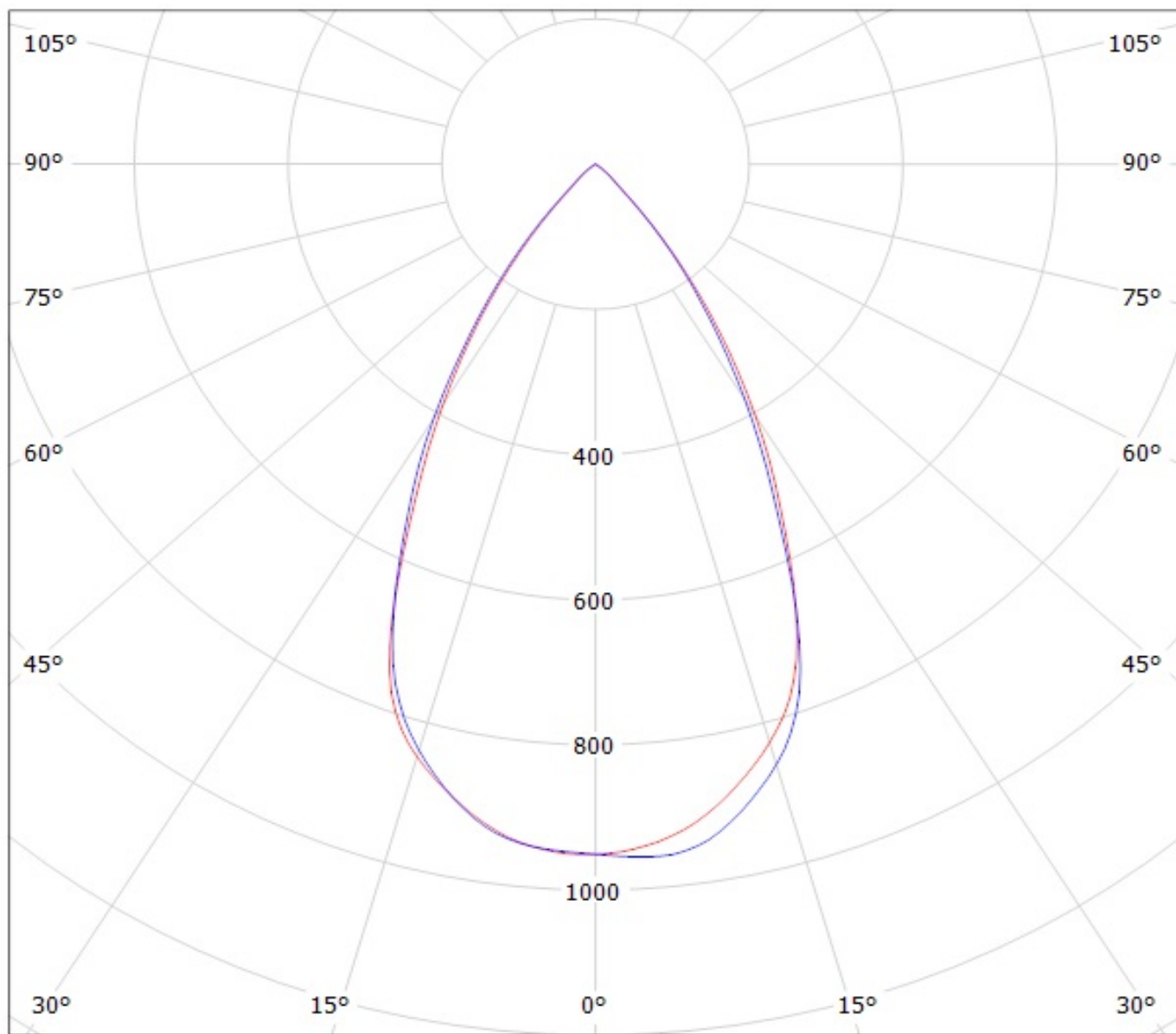
— C0 - C180

— C90 - C270

$\eta = 89\%$

Luminaire: LEDiL Oy C12599_LENINA-W_(CLU044+_8102-G2+_S-8000-12)

Lamps: 1 x Citizen_CLU044_(1212B8-303M1A2)_546.982lm@100mA_P=3.2W_I=0.1A



cd/klm

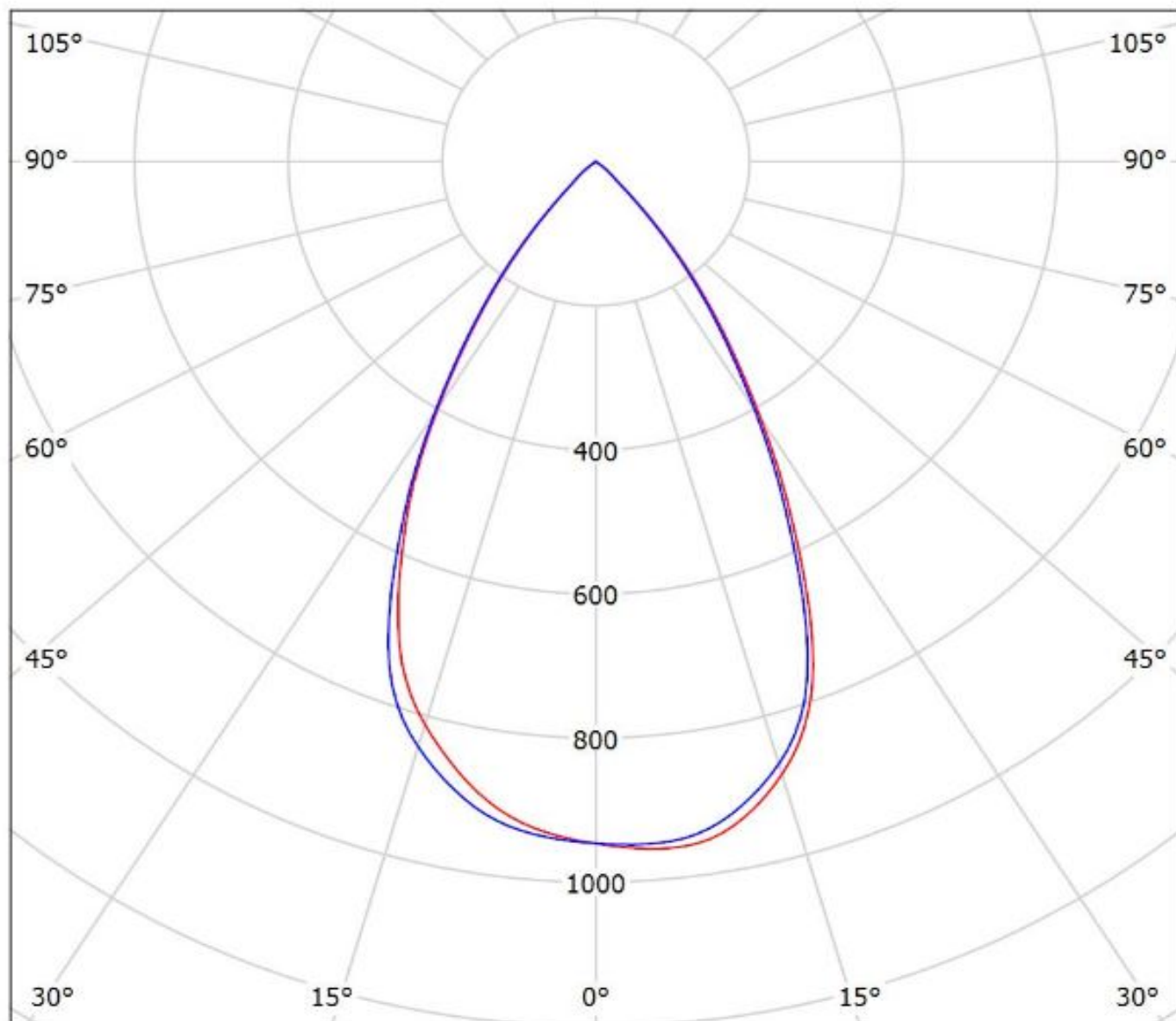
— C0 - C180

— C90 - C270

$\eta = 82\%$

Luminaire: Ledil C12599_LENINA-W_(CoB_1216)

Lamps: 1 x Luxeon_CoB_1216_(L2C2-40801216E2300)_1475.81lm@250mA_P=7.9980W_I=0.25A



cd/klm

— C0 - C180

— C90 - C270

$\eta = 84\%$

NOTE: The typical divergence will be changed by different color, chip size and chip position tolerance. The typical total divergence is the full angle measured where the luminous intensity is half of the peak value.

GENERAL INFORMATION

- Product series especially designed & optimized for series of LEDs.
- Special care taken to make light distribution as uniform as possible.

Note! Due to use of high power COB's with this product, special attention to proper thermal design is highly recommended. LEDiL has no liability for direct, indirect or consecutive damages arising from the LEDiL products being used outside of the recommended temperature range.