

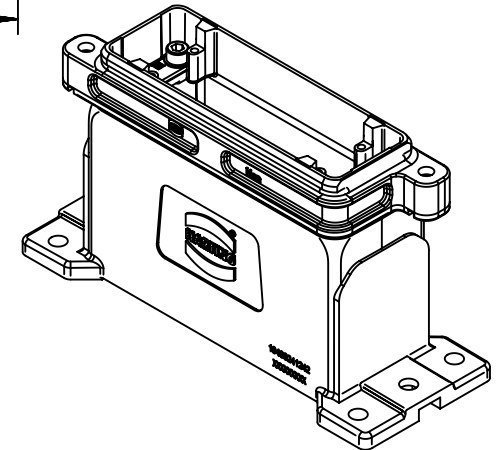
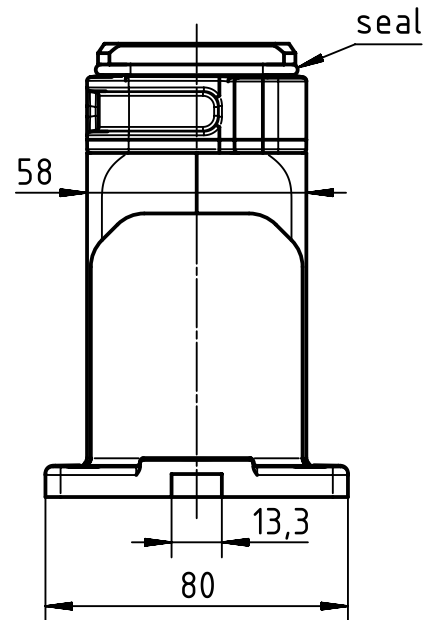
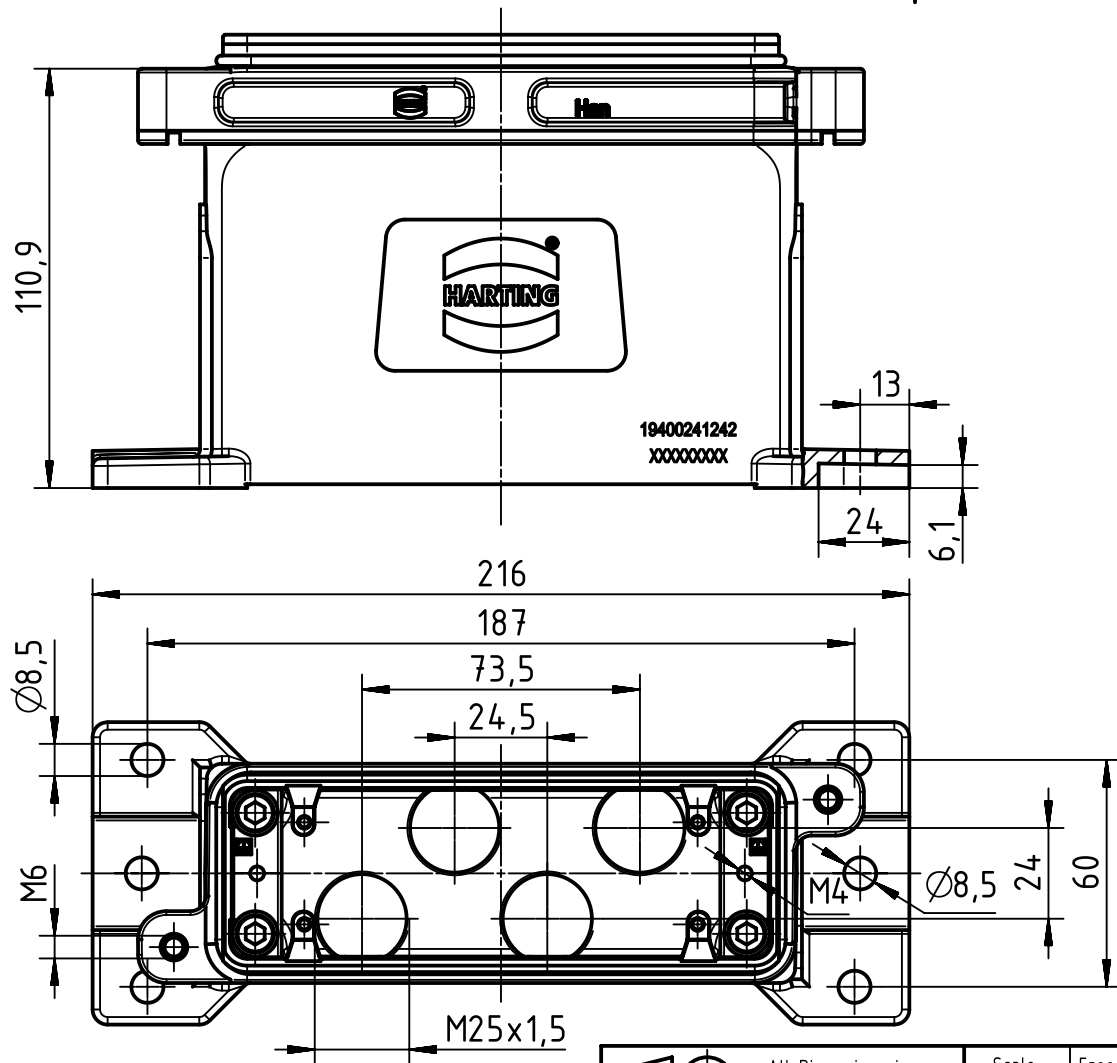
1 2 3 4 5 6

A

B

C

D



	All Dimensions in mm Original Size DIN A4			Scale 1:2	Free size tol.	Ref. Sub. TB 19 40 024 1242 v. 15.08.11	
		All rights reserved Department EL PD - DE		Created by FINKEV	Inspected by SCHNIEDER	Standardisation TIEMANNA	Date 2014-02-17
HARTING Electric GmbH & Co. KG D-32339 Espelkamp				Title Han 24HPR-HSM-4xM25-Screw Lock		Doc-Key / ECM-Nr. 100196842/UGD/005/A 500000068370	
				Type TB	Number 19 40 024 1242	Rev. A	Page 1/1