

FEATURES

- 5-phase dual output PWM Controller
- Phases are flexibly assigned between Loops 1 & 2
- Intel® VR12, AMD® 400kHz & 3.4MHz SVI and Memory modes
- Dual OCP support for I-spike enhanced AMD CPUs
- SMB_Alert Pin for Servers
- PMBus Address pin or Variable Gate Drive
- Overclocking & Gaming Mode with Vmax setting
- Switching frequency from 200kHz to 1.2MHz per phase
- IR Efficiency Shaping Features including Variable Gate Drive and Dynamic Phase Control
- Programmable 1-phase or 2-phase for Light Loads and Active Diode Emulation for Very Light Loads
- IR Adaptive Transient Algorithm (ATA) on both loops minimizes output bulk capacitors and system cost
- Auto-Phase Detection with auto-compensation
- Per-Loop Fault Protection: OVP, UVP, OCP, OTP, CFP
- I2C/SMBus/PMBus system interface for telemetry of Temperature, Voltage, Current & Power for both loops
- Non-Volatile Memory (NVM) for custom configuration
- Compatible with IR ATL and 3.3V Tri-state Drivers
- +3.3V supply voltage; -20°C to 85°C ambient operation
- Pb-Free, RoHS, 6x6 40-pin QFN package

APPLICATIONS

- Intel® VR12 & AMD® SVI based systems
- DDR Memory with Vtt tracking
- Overclocked & Gaming platforms

DESCRIPTION

The IR3541A is a dual-loop, digital multi-phase buck controller that drive up to 5 phases. The IR3541A is fully Intel® VR12 and AMD® SVI compliant on both loops and provides a Vtt tracking function for DDR memory.

NVM storage saves pins and enables a small package size.

The IR3541A includes the IR Efficiency Shaping Technology to deliver exceptional efficiency at minimum cost across the entire load range. IR Variable Gate Drive optimizes the MOSFET gate drive voltage as a function of real-time load current. IR Dynamic Phase Control adds/drops active phases based upon load current. The IR3541A can be configured to enter 1-phase operation and active diode emulation mode automatically or by command.

IR's unique Adaptive Transient Algorithm (ATA), based on proprietary non-linear digital PWM algorithms, minimizes output bulk capacitors.

The I2C/PMBus interface can communicate with up to 16 IR3541A based VR loops. Device configuration and fault parameters are easily defined using the IR Intuitive Power Designer (DPDC) GUI and stored in on-chip NVM.

The IR3541A also includes numerous features like register diagnostics for fast design cycles and platform differentiation, truly simplifying VRD design and enabling fastest time-to-market with its "set-and-forget" methodology.

PIN DIAGRAM

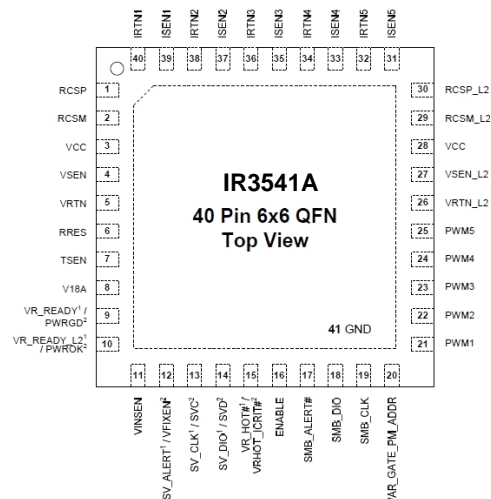
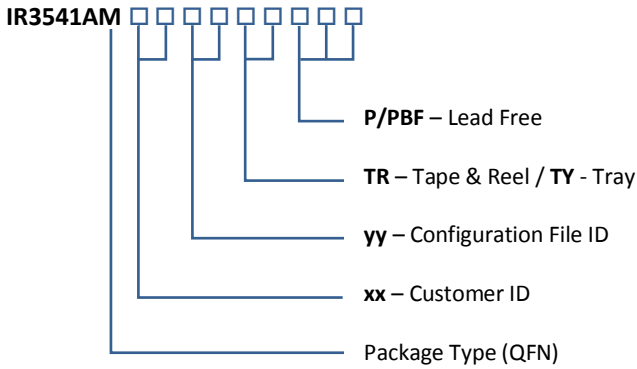


Figure 1: IR3541A Package Top View

ORDERING INFORMATION



Package	Packing Qty	Part Number	Programming
QFN	TR=3000	IR3541AMTRPBF	Default
	TY=4900	IR3541AMTYPBF	
QFN	TR=3000	IR3541AMxxyyTRP¹	Customer Configuration

Notes:

- xx = Customer ID and yy = Configuration File (Codes assigned by IR Marketing).

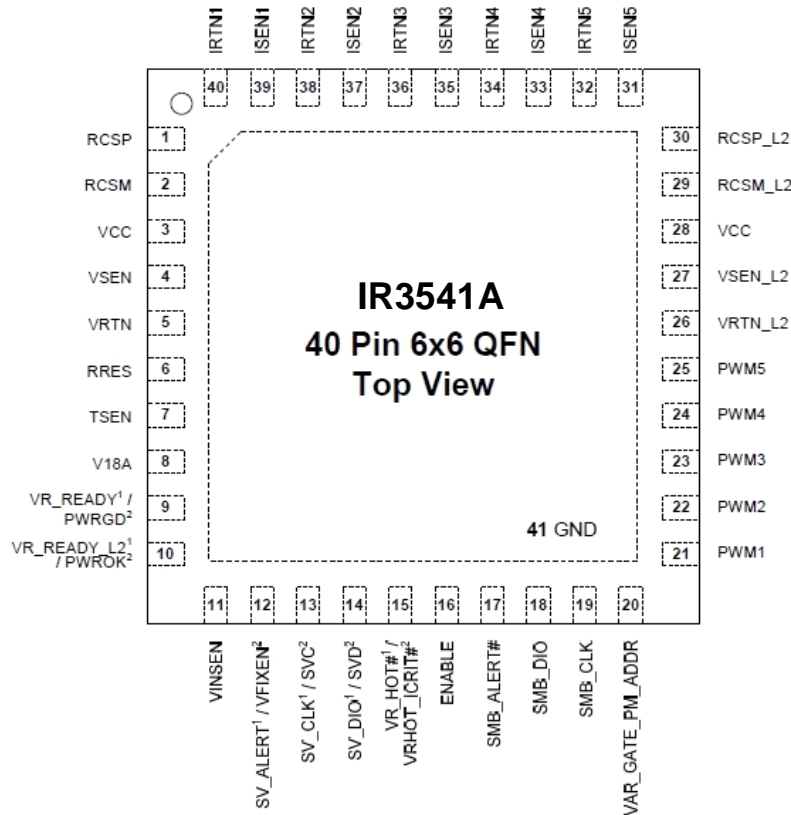
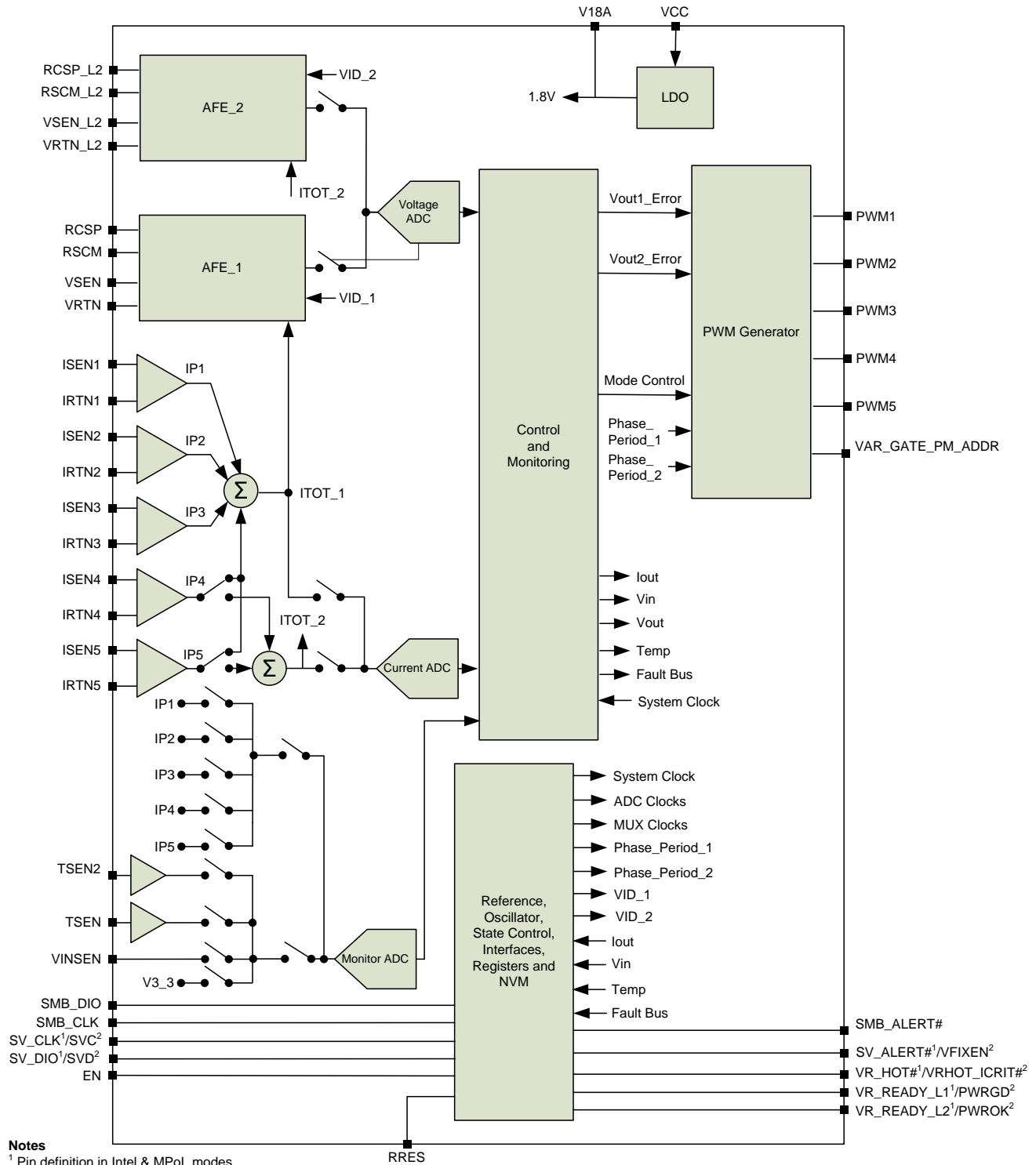


Figure 2: IR3541A Package Top View, Enlarged

FUNCTIONAL BLOCK DIAGRAM



Notes
¹ Pin definition in Intel & MPoL modes
² Pin definition in AMD mode

Figure 4: IR3541A Functional Block Diagram