

CL222-2862-9-**
TM21P-88P(**)

COVER(SOLD SEPARATEIL)MATED

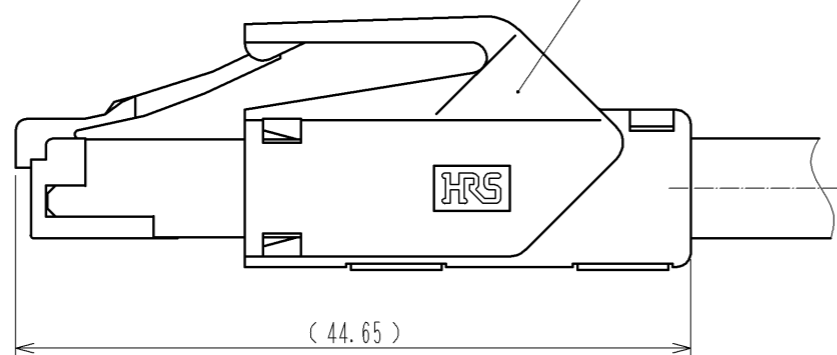
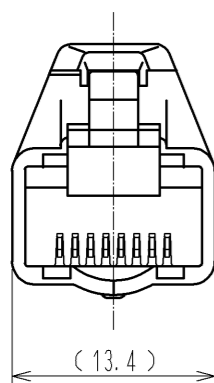


TABLE-1

APPLICABLE CABLE WIRE		
	CONDUCTOR	AWG#24 STRANDED WIRE ~ AWG#27 STRANDED WIRE
	INSULATOR DIAMETER	($\phi 0.9 \sim \phi 1.0$)
JACKET DIAMETER		($\phi 5.8 \sim \phi 6.0$)

- NOTES
- APPLICABLE CABLE IS SHOWN IN TABLE-1
 - () INDICATES THE REFERENCE DIMENSIONS.
 - TO SATISFY CAT6a PERFORMANCE, PLEASE ASSEMBLE ACCORDING TO HRS INSTRUCTION. (ETAD-E2847)
 - COLORS ARE DIFFERENT DEPENDING ON THE SPECIFICATION NUMBER.

2	PHOSPHOR BRONZE	CONTACT: GOLD PLATING 1.27 μ m MIN LEAD: GOLD PLATING 0.03 μ m MIN UNDER: NICKEL PLATING 2 μ m MIN	4	POLYCARBONATE	(YELLOW)UL94V-2		
1	PHOSPHOR BRONZE	CONTACT: GOLD PLATING 1.27 μ m MIN LEAD: GOLD PLATING 0.03 μ m MIN UNDER: NICKEL PLATING 2 μ m MIN	3	STAINLESS STEEL	OVER: NICKEL PLATING 0.5 μ m MIN		
NO.	MATERIAL	FINISH . REMARKS	NO.	MATERIAL	FINISH . REMARKS		
UNITS mm		SCALE 2 : 1	COUNT Δ	DESCRIPTION OF REVISIONS	DESIGNED	CHECKED	DATE
HRS HIROSE ELECTRIC CO., LTD.		APPROVED : YH. ENAMI	09.06.02	DRAWING NO.	EDC3-126868-01		
		CHECKED : YH. ENAMI	09.06.02	PART NO.	TM31P-TM-88P(01)		
		DESIGNED : MT. ITANO	09.06.02	CODE NO.	CL222-4626-7-01		
		DRAWN : MT. ITANO	09.06.02		Δ 1/1		