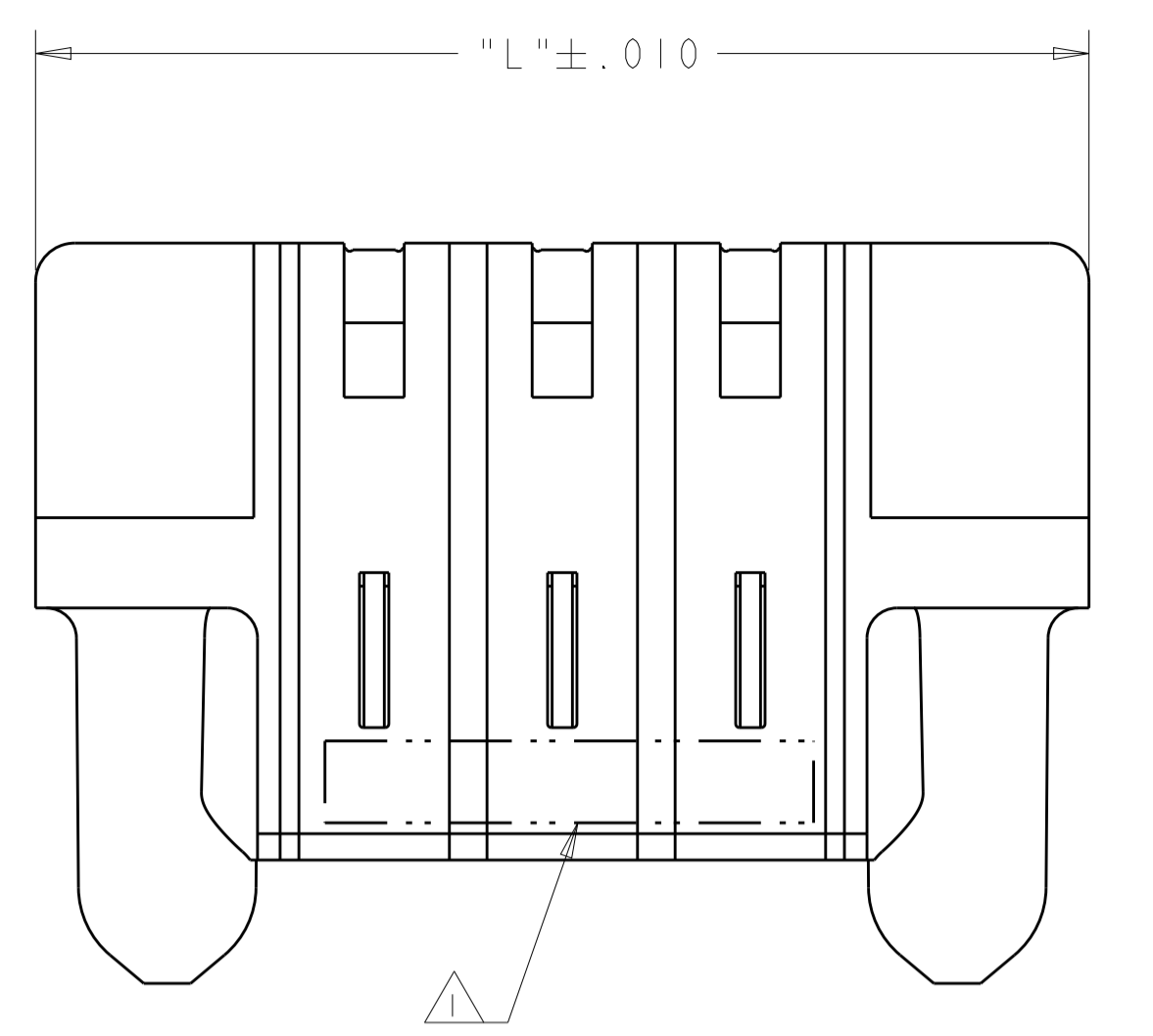
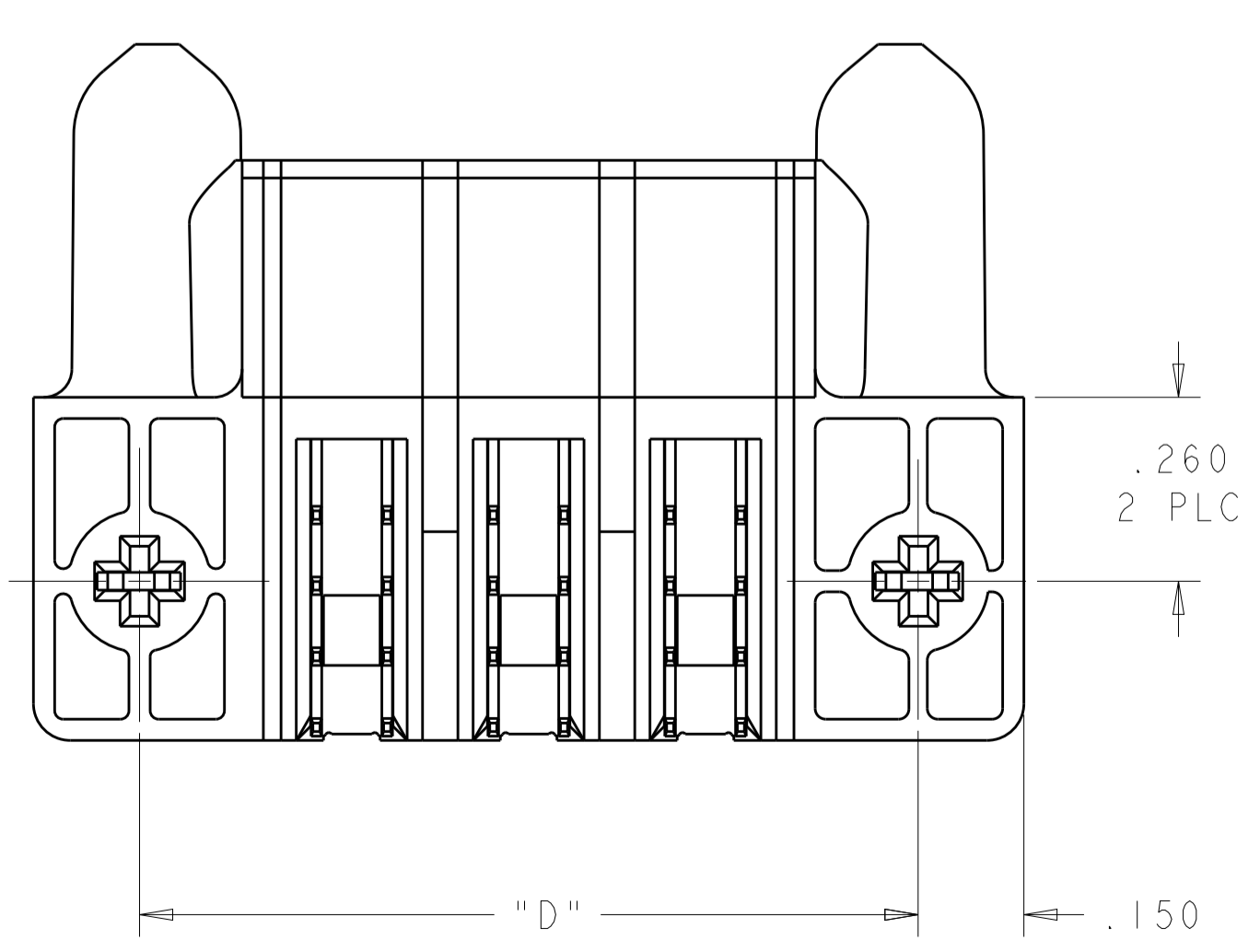
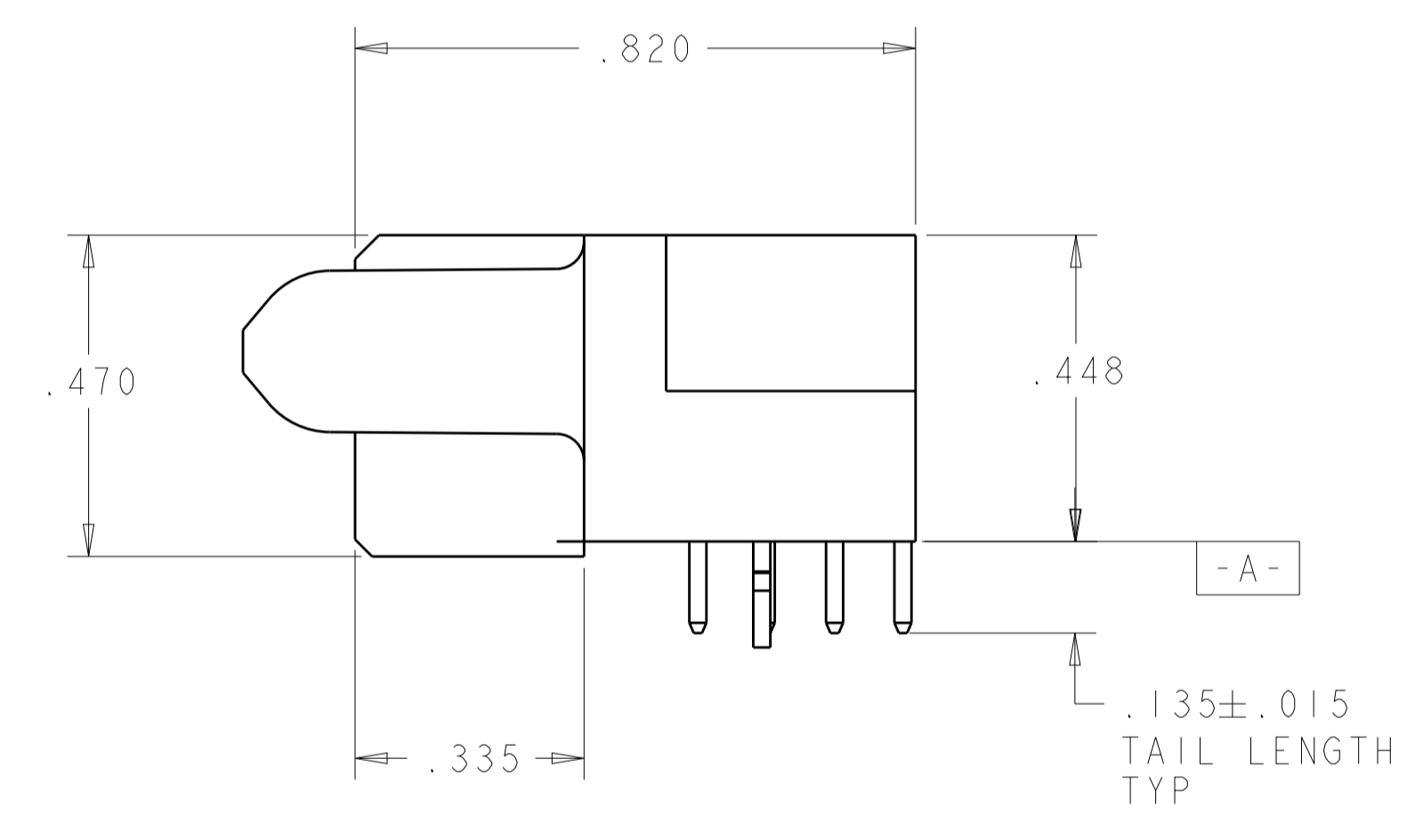
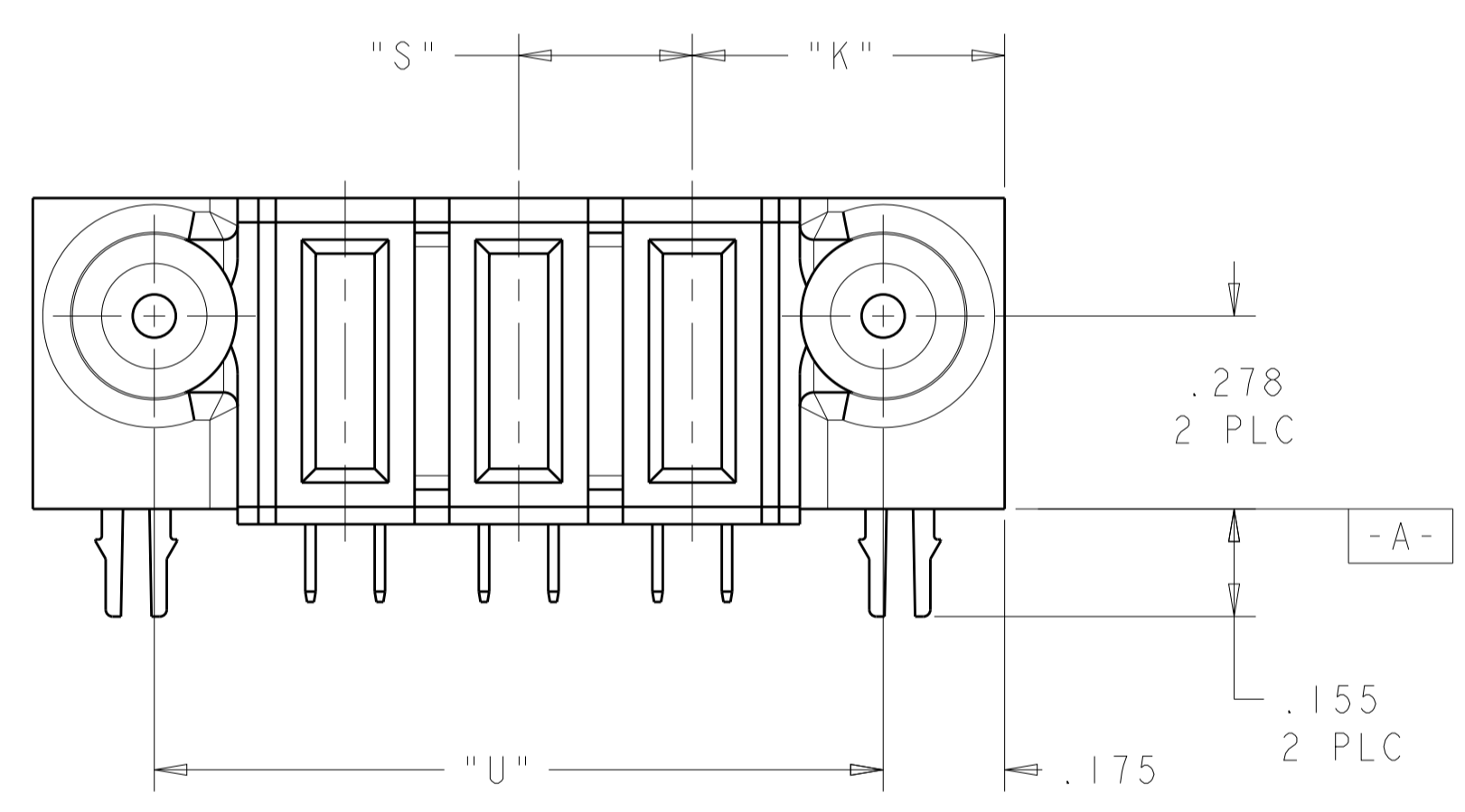


LOC	DIST	REVISIONS					
		P	LTN	DESCRIPTION	DATE	DWN	APVD
GP	00	A		REV PER 0512-0650-04	21FEB2005	RG	MP
		A1		ADVISED	15FEB2013	ML	SZ



- ① "AMP", PART NUMBER AND DATE CODE TO BE MARKED IN AREA SHOWN. PARTS UNDER 2.000 MAY BE MARKED ON BOTH SIDES.
- ② MATERIAL: HOUSING - GLASS FILLED HIGH TEMP THERMO PLASTIC, UL94 V-0. POWER CONTACT - HIGH CONDUCTIVITY COPPER ALLOY
- ③ CONTACT PLATING: NOBLE METAL PLATING ON CONTACT FUNCTIONAL AREA OF POWER AND SIGNAL CONTACTS
- ④ MECHANICAL CONNECTOR KEEP OUT ZONE.
- ⑤ DATUM AND BASIC DIMENSIONS ESTABLISHED BY CUSTOMER.
- ⑥ PCB - ALL HOLE DIAMETERS ARE FINISHED HOLE SIZES.
- ⑦ PCB - .0453  $\pm$  .0010 DRILLED HOLES PLATED WITH .0003 MIN Sn OVER .001 TO .003 PLATING TO ACHIEVE A .040 DIA. HOLE.



.250	2.300	2.350	2.650	.450	8P	6450163-2
.250	1.050	1.100	1.400	.450	3P	6450163-1
"S"	"U"	"D"	"L"	"K"	DESCRIPTION	PART NUMBER

THIS DRAWING IS A CONTROLLED DOCUMENT.

DIMENSIONS: INCHES	TOLERANCES UNLESS OTHERWISE SPECIFIED:	DWN: R. GRZYBOWSKI 21FEB05	CHK: M. PERCHERKE 21FEB05	APVD: M. PERCHERKE	NAME: R. GRZYBOWSKI
0 PLC $\pm$	1 PLC $\pm .01$	2 PLC $\pm .01$	3 PLC $\pm .005$	4 PLC $\pm .0020$	ANGLES $\pm .0020$
FINISH: ②		FINISH: ③		MATERIAL: ⑦	

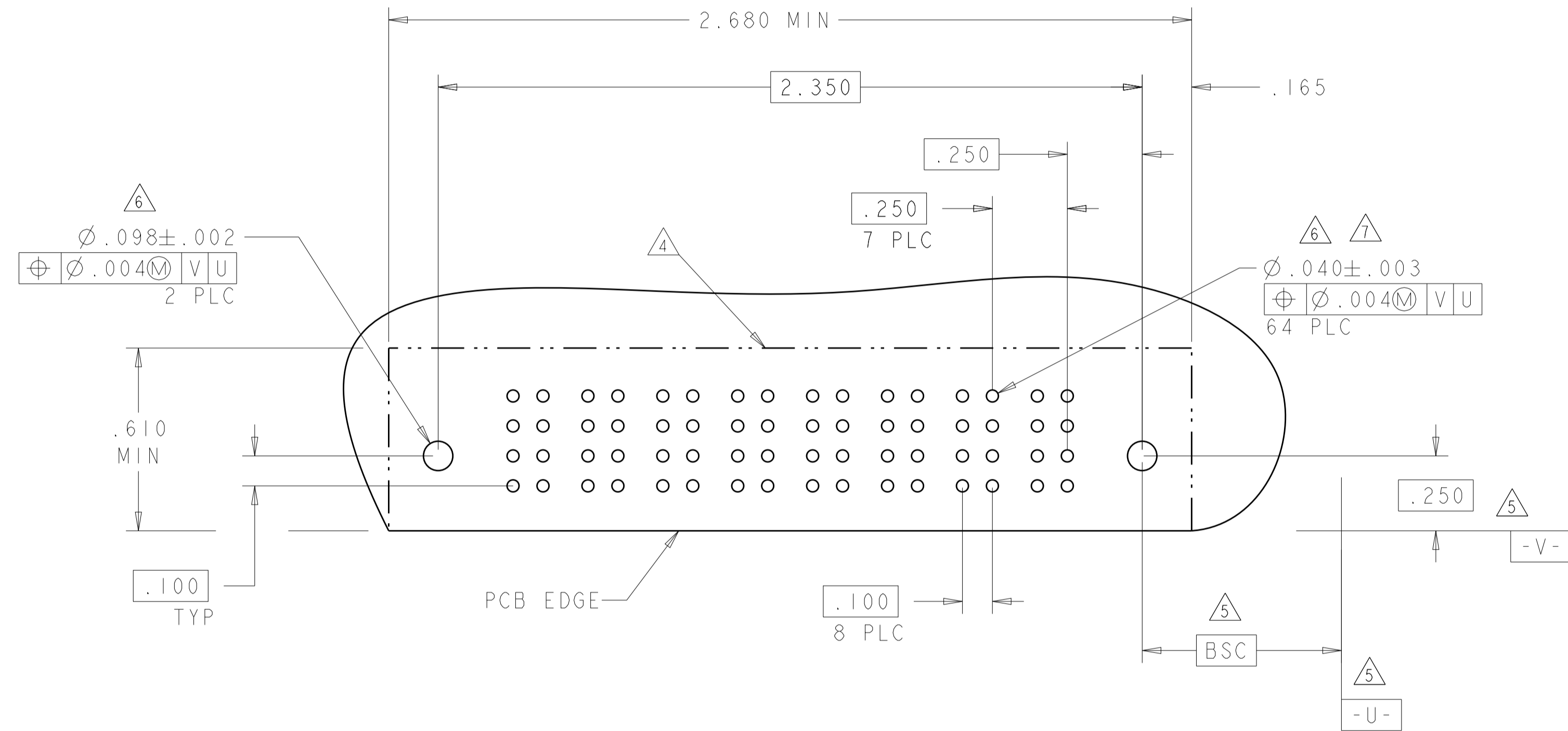
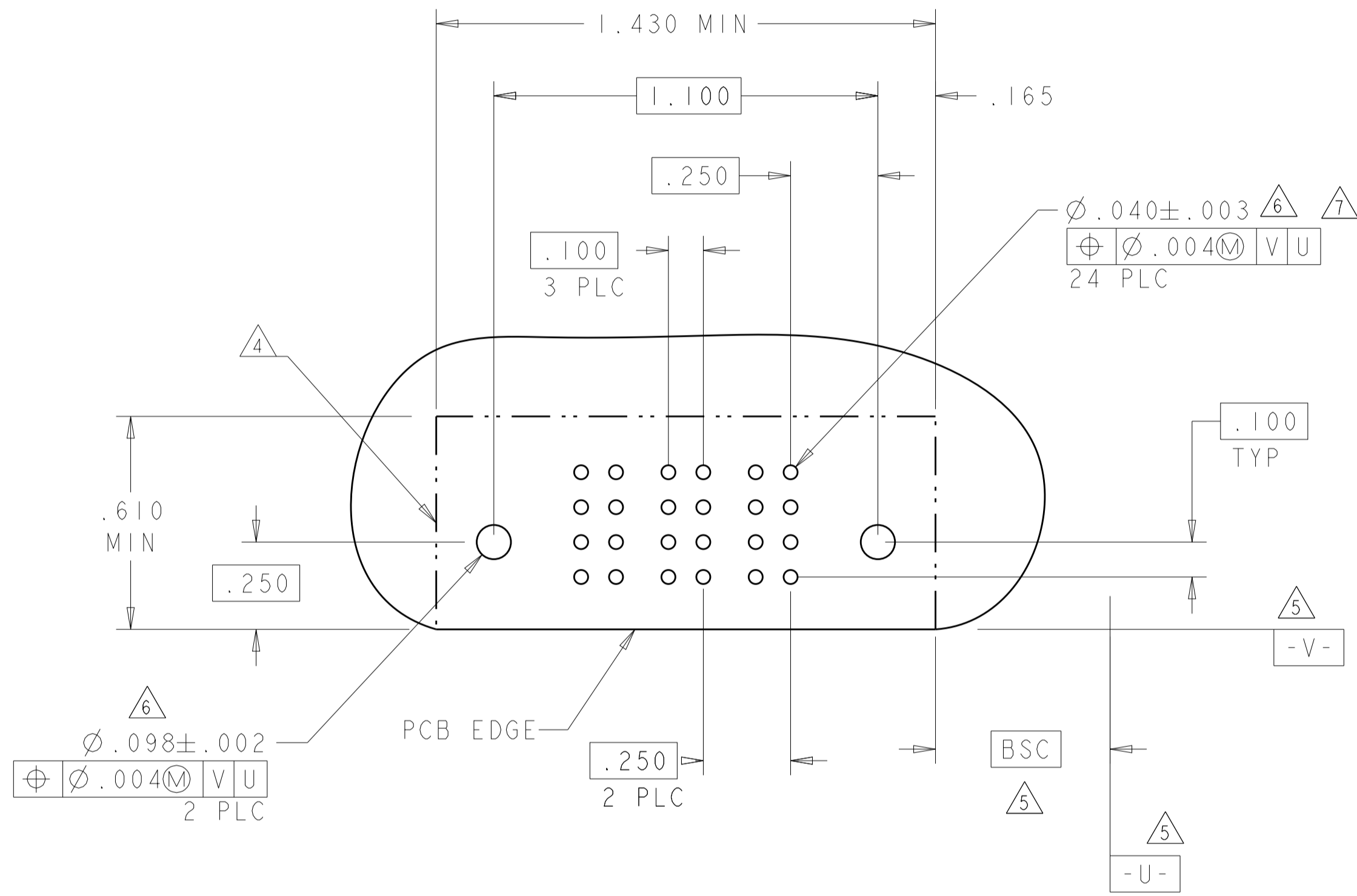
PRODUCT SPEC: 108-1973	APPLICATION SPEC: 114-13038	SIZE: A1	CAGE CODE: 00779	DRAWING NO: 6450163	RESTRICTED TO: -
Customer Drawing				SCALE: 1:1	SHEET: 1 OF 2

TE Connectivity  
**STE**  
 RIGHT ANGLE RECEPTACLE ASSEMBLY WITH GUIDES MULTI-BEAM XL

LOC	DIST	REVISIONS			
P	LTN	DESCRIPTION	DATE	DMN	APVD
GP	00	SEE SHEET 1			

PART NUMBER	ROWS	POWER		
		P3	P2	P1
6450163-1	D C B A	RA	RA	RA
3P		HD		HD

PART NUMBER	ROWS	POWER							
		P8	P7	P6	P5	P4	P3	P2	P1
6450163-2	D C B A	RA	RA	RA	RA	RA	RA	RA	RA
8P		HD							HD



RM	.135	STD
RA	.135	MFBL
CODE	TAIL LENGTH	TYPE
POWER CONTACT		

THIS DRAWING IS A CONTROLLED DOCUMENT.		DMN: R. GRZYBOWSKI 21FEB05	NAME: R. GRZYBOWSKI
DIMENSIONS: INCHES		CHK: M. PERCHERKE 21FEB05	PRODUCT SPEC: 108-1973
TOLERANCES UNLESS OTHERWISE SPECIFIED:		APVD: M. PERCHERKE	APPLICATION SPEC: 114-13038
0 PLC ±		SIZE: 114-13038	RESTRICTED TO: A1
1 PLC ±.01		WEIGHT: -	SCALE: 3:1
2 PLC ±.01		Customer Drawing	SHEET 2 OF 2
3 PLC ±.005			REV: A1
4 PLC ±.0020			
ANGLES ±.020			
FINISH: -			