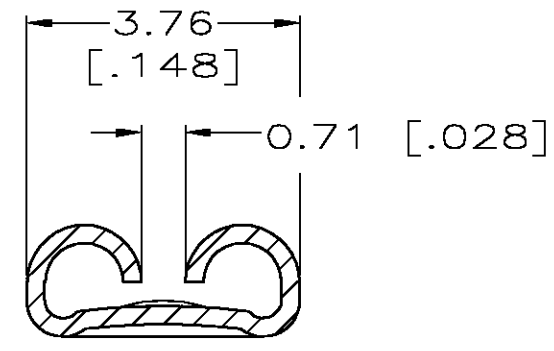
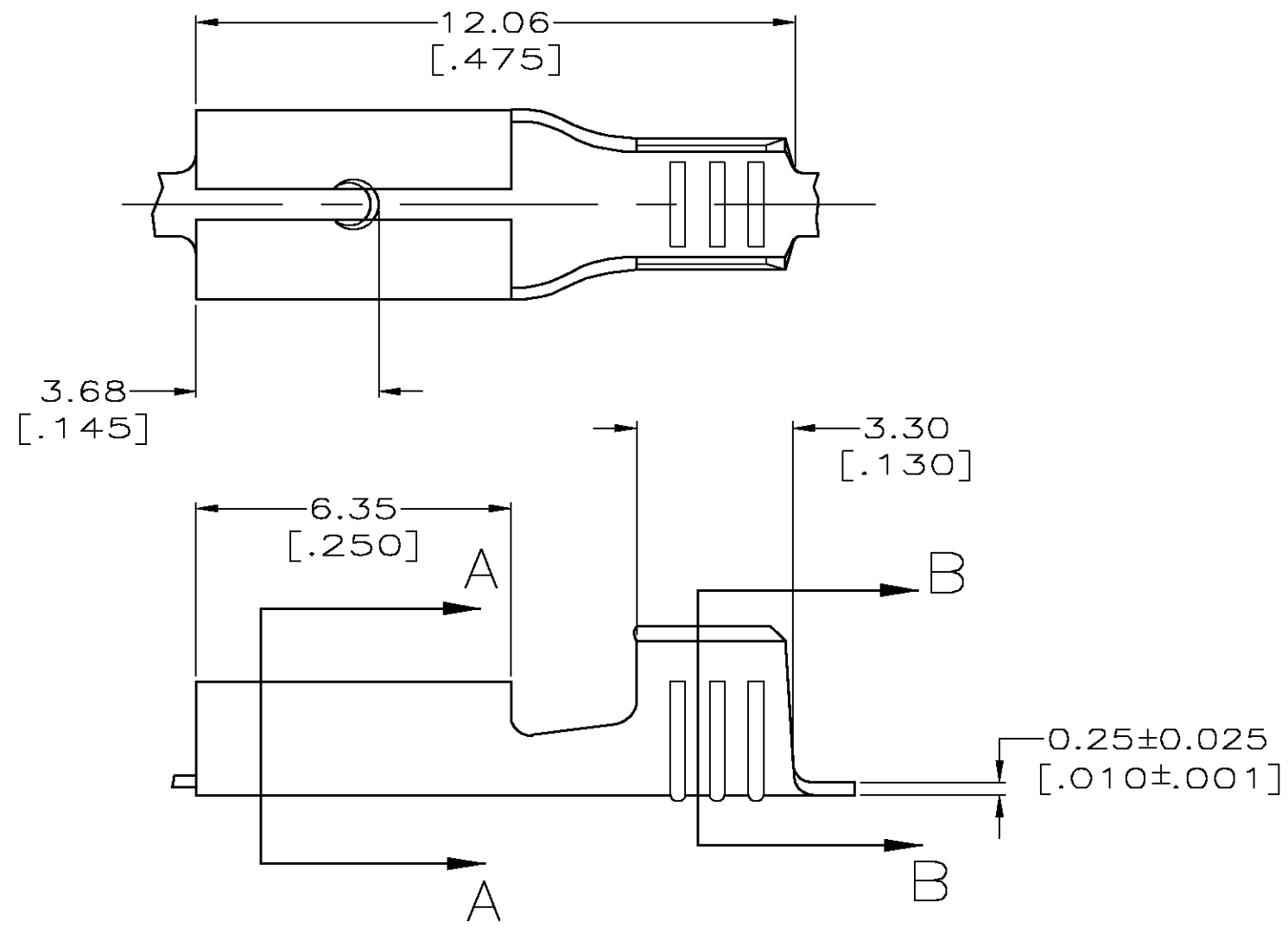
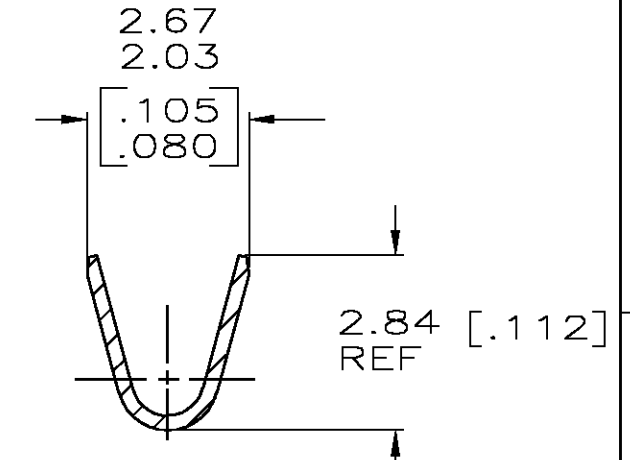


LOC	DIST	REVISIONS				
P	LTR	DESCRIPTION	DATE	DWN	APVD	
AF	50					
		REV PER 0G3A-0119-03	27MAY03	JR	PD	

- 1 CONTINUOUS STRIP ON REELS.
- 2 ACCEPTS WIRE SIZES [#20-#18 OR TWO #20'S.]
- 3 MATES WITH A  $0.41 \pm 0.025$  [.016 ± .001] THK TAB.
- 4 FEED IS  $13.59 \pm 0.13$  [.535 ± .005].



SECTION A-A  
 SCALE 10:1



SECTION B-B  
 SCALE 10:1

60967-1  
 PART NO

THIS DRAWING IS A CONTROLLED DOCUMENT.		DWN	JR RUTH	3/14/96	Tyco Electronics Corporation Harrisburg, PA 17105
DIMENSIONS: INCHES		CHK	P FORTNEY	3/14/96	
		APVD	D BRATINA	3/14/96	
TOLERANCES UNLESS OTHERWISE SPECIFIED:		NAME			
0 PLC ± - 1 PLC ± - 2 PLC ± 0.38 [.015] 3 PLC ± - 4 PLC ± - ANGLES ± -		RECEPTACLE, FASTON, 2.79 [.110] SERIES			RESTRICTED TO
MATERIAL	H04 BRASS	FINISH	PRE-TIN	PRODUCT SPEC	-
		APPLICATION SPEC	114-2036	SIZE	A3
		WEIGHT	-	CAGE CODE	00779
		CUSTOMER DRAWING		DRAWING NO	60967
		SCALE	8:1	SHEET	1 OF 1
		REV	E		