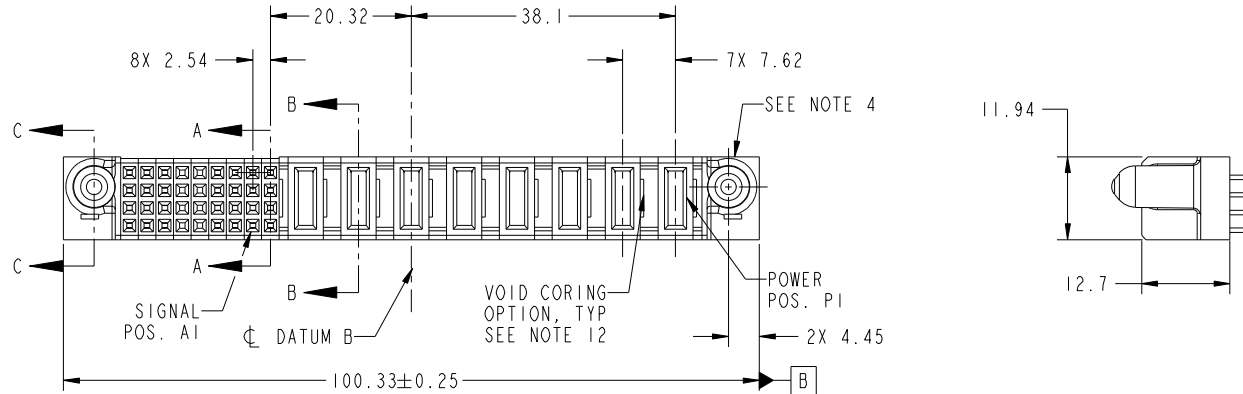


Tous droits strictement reserves. Reproduction ou communication a des tiers interdite sous quelque forme que ce soit sans autorisation écrite du propriétaire. Propriete de c FCI. Droits de reproduction FCI.



All rights strictly reserved. Reproduction or issue to third parties in any form whatever is not permitted without written authority from the proprietor. Property of FCI. Copyright FCI.

PRODUCT NO.	ROWS	SIGNAL									POWER										
		E2	9	8	7	6	5	4	3	2	1	P8	P7	P6	P5	P4	P3	P2	P1	E1	
51940-306-- NOTE: 3	D C B A		E	E	E	X	X	E	E	E	E	PD	PD	PD	PD	PD	PD	PD	PD	PA	
		E	E	E	X	X	E	E	E	E	E	PD	PD	PD	PD	PD	PD	PD	PD	PA	
		E	E	E	X	X	E	E	E	E	E	PD	PD	PD	PD	PD	PD	PD	PD	PA	



CODE	DIM "M" MATING LENGTH	CONTACT TYPE
E	[N/A]	SIGNAL
PD	[2.34]	POWER
PA	[1.07]	POWER
X	OMITTED	

mat'l code				SEE NOTES		tolerances unless otherwise specified		CUSTOMER		FCI	
ltr	ecn no.	dr	date	linear	0.X ±0.5	projection		COPY		www.fciconnect.com	
A	DG09-0251	JW	08/05/09	angles	0.XX ±0.25	MIM		title		8ACP + 36S	
				dr	0.XXX ±0.1	scale		product family		PwrBlade	
				enr	0° +2°	1:1		size		code	
				chr	JULIA WANG 07/23/09			dwg no		213	
				appd	JULIA WANG 07/23/09			51940-306		sheet	
					PM ZHENG 07/23/09			A		1 of 4	
					JOSEPH HSIA 07/23/09						
sheet index	revision sheet	A	A	A	A						
		1	2	3	4						
								cage code		22526	

Pro/E

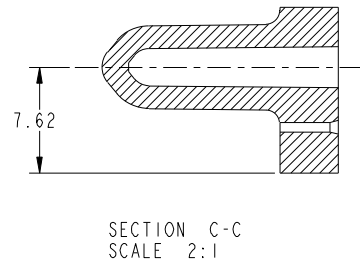
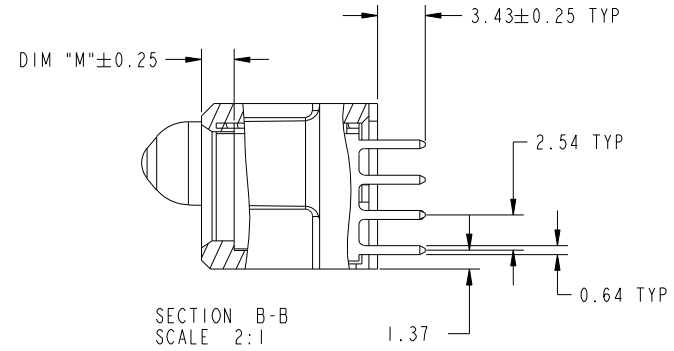
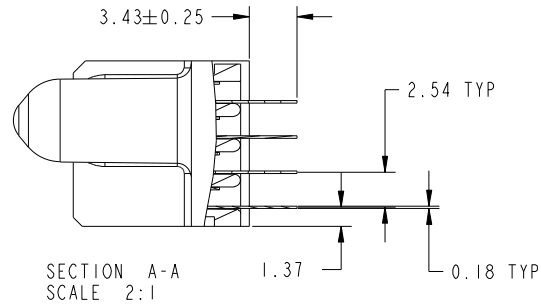
cage code 22526

Tous droits strictement reserves. Reproduction ou communication a des tiers interdite sous quelque forme que ce soit sans autorisation écrite du propriétaire. Propriete de c FCI. Droits de reproduction FCI.



All rights strictly reserved. Reproduction or issue to third parties in any form whatever is not permitted without written authority from the proprietor. Property of FCI. Copyright FCI.

PRODUCT NUMBER
51940-306--
NOTE: 3



mat'l code				tolerances unless otherwise specified		CUSTOMER		FCI	
ltr	ecn no.	dr	date	linear	0.X ±0.5	COPY		www.fciconnect.com	
A				linear	0.XX ±0.25	projection		title	
				angles	0.XXX ±0.1			8ACP + 36S VERTICAL SOLDER RECEPT	
				dr	0° ±2°			product family PwrBlade code	
				enr	JULIA WANG 07/23/09	scale		size	
				chr	JULIA WANG 07/23/09	1:1		dwg no	
				appd	PM ZHENG 07/23/09			51940-306	
					JOSEPH HSIA 07/23/09			sheet	
sheet index		revision sheet						2 of 4	

cage code 22526

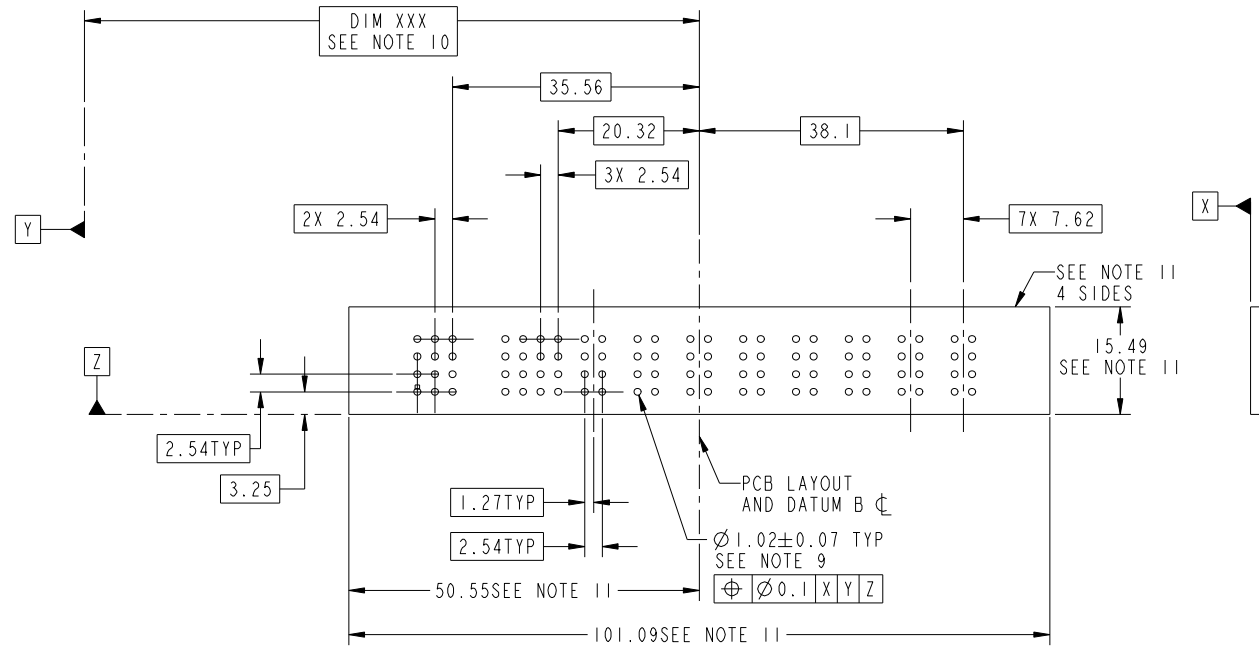
Pro/E

Tous droits strictement reserves. Reproduction ou communication a des tiers interdite sous quelque forme que ce soit sans autorisation écrite du propriétaire. Propriete de c FCI. Droits de reproduction FCI.

All rights strictly reserved. Reproduction or issue to third parties in any form whatever is not permitted without written authority from the proprietor. Property of FCI. Copyright FCI.



PRODUCT NUMBER
51940-306--
NOTE: 3



mat'l code				tolerances unless otherwise specified		CUSTOMER		FCI	
ltr	ecn no.	dr	date	linear	0.X ± 0.5	COPY		www.fciconnect.com	
A				linear	0.XX ± 0.25	projection		title	
				angles	0.XXX ± 0.1			8ACP + 36S VERTICAL SOLDER RECEPT	
				dr	0° ± 2°			product family PwrBlade code	
				enr	JULIA WANG 07/23/09	scale		size	
				chr	JULIA WANG 07/23/09	1:1		dwg no	
				appd	PM ZHENG 07/23/09			51940-306	
					JOSEPH HSIA 07/23/09			sheet	
sheet index	revision sheet							3 of 4	

cage code 22526

Pro/E

Tous droits strictement reserves. Reproduction ou communication a des tiers interdite sous quelque forme que ce soit sans autorisation écrite du propriétaire. Propriete de c FCI. Droits de reproduction FCI.



All rights strictly reserved. Reproduction or issue to third parties in any form whatever is not permitted without written authority from the proprietor. Property of FCI. Copyright FCI.

PRODUCT NUMBER
51940-306--
NOTE: 3

NOTES:

1. DIMENSIONS AND TOLERANCES ARE IN ACCORDANCE WITH ASME Y14.5M, 1994 UNLESS OTHERWISE SPECIFIED.

CONNECTOR NOTES:

- 2 HOUSING MATERIAL: UL 94 V-0 GLASS FILLED HIGH-TEMP THERMOPLASTIC
POWER CONTACT MATERIAL: COPPER ALLOY
SIGNAL PIN MATERIAL: COPPER ALLOY
 - 3. PLATING SPEC.
SEE ITEM 5 & 6 IN PRINT 10064183 FOR PLATING SPEC. OF 51940-306, 51940-306LF RESPECTIVELY.
 - 4 MANUFACTURER'S NAME, P/N, AND DATE CODE TO APPEAR ON THIS SURFACE.
 - 5. PRODUCT SPECIFICATION GS-12-149.
APPLICATION SPECIFICATION BUS-20-067.
 - 6. PACKAGED IN TRAYS.
- PCB NOTES:
- 7. ALL HOLE DIAMETERS ARE FINISHED HOLE SIZE.
 - 8 MOUNTING HOLES, WHERE APPLICABLE, ARE UNPLATED.
 - 9 $\varnothing 1.151 \pm 0.025$ DRILLED HOLES PLATED WITH
0.008 MIN SnPb OR Sn OVER 0.03
TO 0.08 Cu PLATING TO ACHIEVE
 $\varnothing 1.02 \pm 0.07$ HOLE.
 - 10 "DIM XXX" TO BE DETERMINED BY THE CUSTOMER.
 - 11 CONNECTOR KEEP-OUT ZONE.
 - 12. THE VOID CORING IN BETWEEN POWER MODULES, SIGNAL MODULES AND END MODULES ARE OPTIONAL AND THE SHAPE MAY BE DIFFERENT FOR OPTIMIZE THE MOLDING PROCESS. THE VOID CORING WILL NOT EFFECT TO PRODUCT FUNCTION.

mat'l code				tolerances unless otherwise specified		CUSTOMER		FCI	
ltr	ecn no.	dr	date	linear	0.X ± 0.5	COPY		www.fciconnect.com	
A				linear	0.XX ± 0.25	projection		title	
				angles	0.XXX ± 0.1			8ACP + 36S VERTICAL SOLDER RECEPT	
				dr	0° + 2°	MIM		product family PwrBlade code	
				enr	JULIA WANG 07/23/09	scale		size	
				chr	JULIA WANG 07/23/09	1:1		dwg no	
				appd	PM ZHENG 07/23/09	A		51940-306	
					JOSEPH HSIA 07/23/09			sheet	
sheet index	revision sheet							4 of 4	

cage code 22526