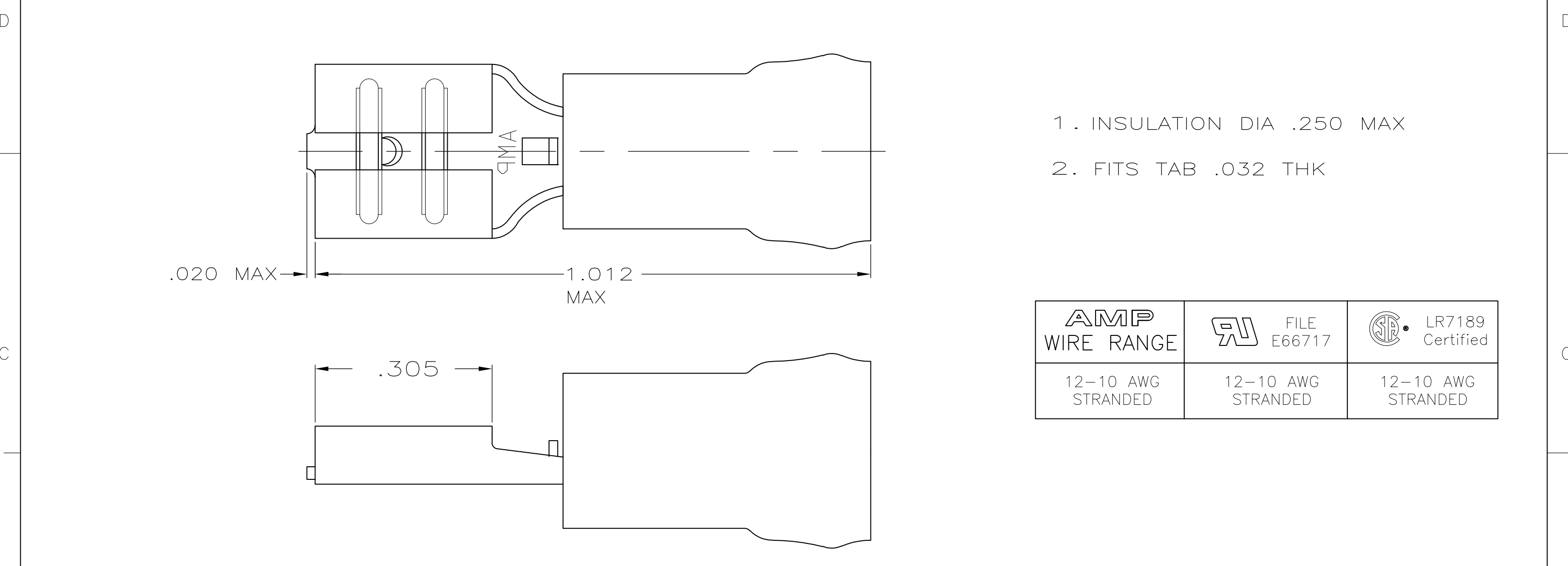


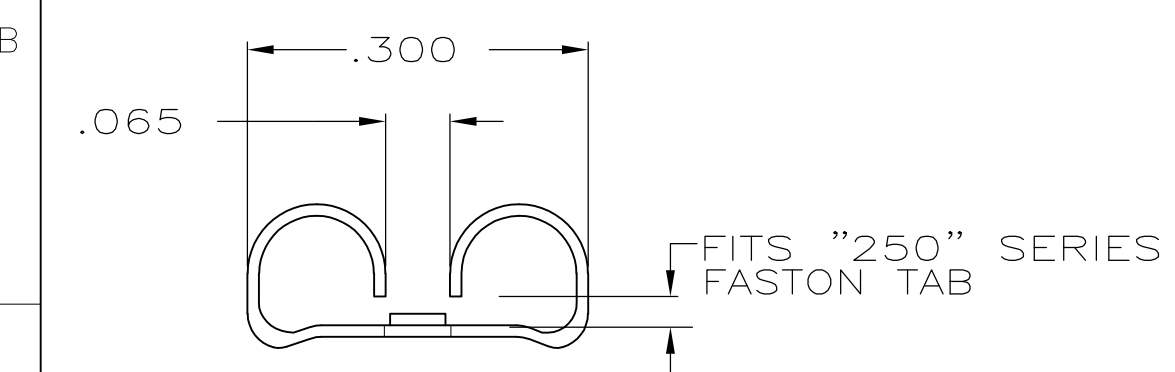
THIS DRAWING IS UNPUBLISHED. RELEASED FOR PUBLICATION
 © COPYRIGHT - By - ALL RIGHTS RESERVED.

LOC	DIST	REVISIONS					
		P	LTR	DESCRIPTION	DATE	DWN	APVD
G	14		J2	REVISED PER ECO-11-004587	11MAR11	RK	HMR



- 1. INSULATION DIA .250 MAX
- 2. FITS TAB .032 THK

AMP WIRE RANGE	FILE E66717	LR7189 Certified
12-10 AWG STRANDED	12-10 AWG STRANDED	12-10 AWG STRANDED



QTY	PACKAGE TYPE	PART NO
100	LOOSE PC,BOX	8-640907-1
2500	TAPE MOUNTED	640907-2
-	LOOSE PIECE	640907-1

TE CONNECTIVITY CUSTOMER SERVICE SYSTEM		MAX RECOMMENDED OPERATING TEMPERATURE: 105°C -	THIS DRAWING IS A CONTROLLED DOCUMENT.		DWN L OLMEDA 26JUN95	TE Connectivity			
FOR ADDITIONAL PRODUCT INFORMATION OR COPIES OF DRAWING AND TECHNICAL DOCUMENTS	PRODUCT INFORMATION CENTER 1-800-522-6752		DIMENSIONS: INCHES	TOLERANCES UNLESS OTHERWISE SPECIFIED:	CHK M ELLIS 26JUN95				
FOR APPLICATION TOOLING INFORMATION	TOOLING ASSISTANCE CENTER 1-800-722-1111	VOLTAGE RATING: 300V MAX -		0 PLC ± - 1 PLC ± - 2 PLC ± .015 3 PLC ± - 4 PLC ± - ANGLES ± -	APVD B BARE 26JUN95	NAME RECEPTACLE, 250 SERIES, FASTON , PIDG , 12-10			
FOR ORDER ENTRY	1-800-526-5142	CIRCULAR MIL AREA: 5,180-13,100 STRANDED	MATERIAL BODY,BRASS .018	FINISH BODY,TIN	PRODUCT SPEC UL 310	SIZE A3	CAGE CODE 00779	DRAWING NO C-640907	RESTRICTED TO -
CUSTOMER DRAWING					WEIGHT -	SCALE 6:1	SHEET 1 OF 1	REV J2	