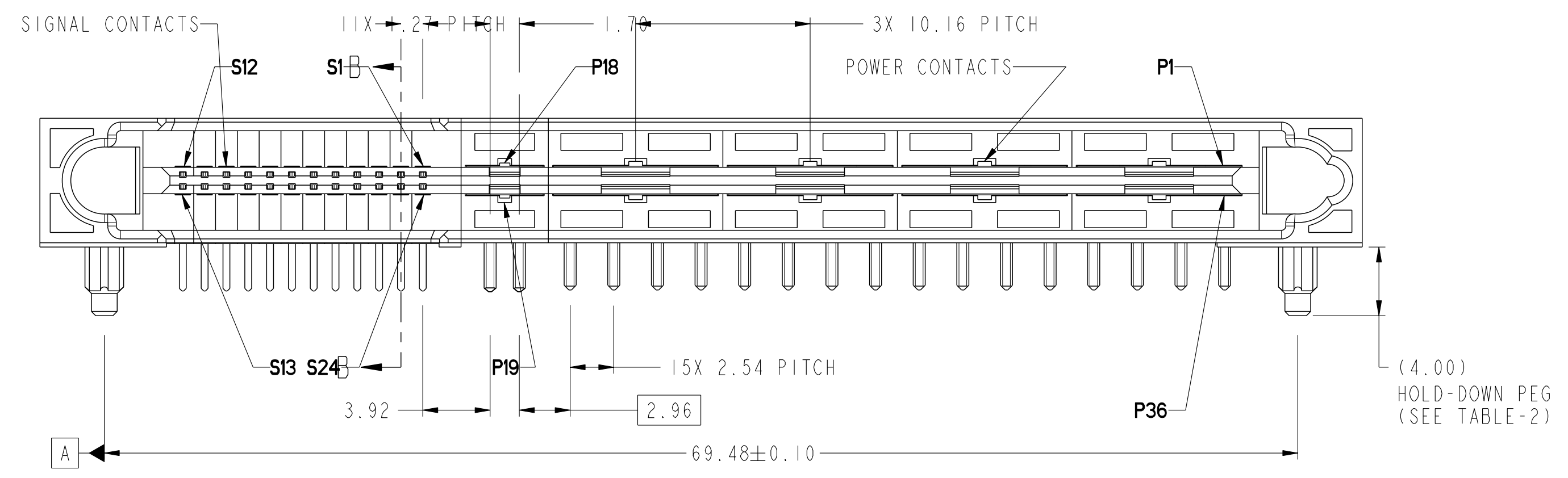


SECTION B-B



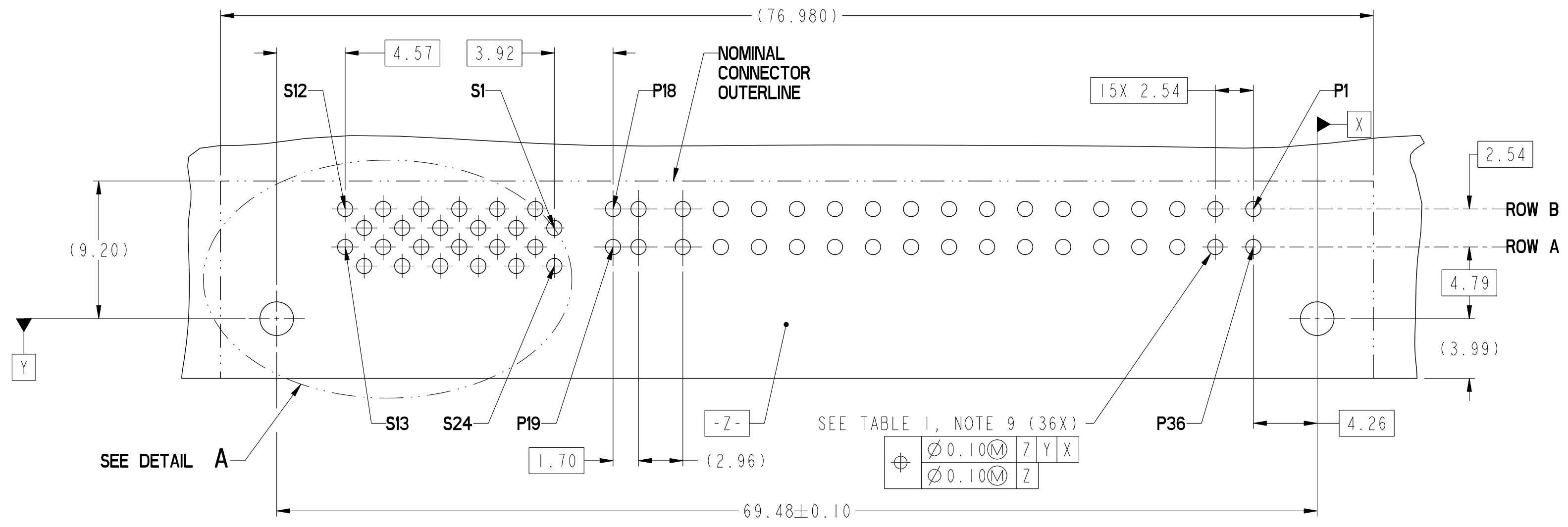
Amphenol  
FCi

© 2016 AFci

|                                       |                                       |             |             |   |                        |        |           |           |              |     |
|---------------------------------------|---------------------------------------|-------------|-------------|---|------------------------|--------|-----------|-----------|--------------|-----|
| spec ref                              | -                                     | dr          | Daniel Xiao | 2013-08-02  | projection             | MM     | size      | A2        | scale        | 4:1 |
| tolerance std                         | ASME Y14.5                            | eng         | Daniel Xiao | 2013-08-02  |                        | MM     | ecn no    | rel level | In Work      | rev |
| TOLERANCES UNLESS OTHERWISE SPECIFIED |                                       | chr         | Daniel Xiao | 2013-08-02  |                        |        |           |           |              |     |
| surface                               | ASME Y14.5                            | appr        |             |   | product family         | HPCE   | rel level | In Work   | rev          | 2   |
| linear                                | 0.X ±0.3<br>0.XX ±0.10<br>0.XXX ±0.05 |             |             | <b>R/A HEADER 36P-24S WITH GUIDE</b><br>(HP2/BTB) |                        | dwg no | 10119040  |           | sheet 1 of 4 |     |
| angular                               | 0° ±2°                                | www.fci.com |             | cat. no.  | Product - Customer Drw |        |           |           |              |     |

TABLE I (HPCE / SOLDER TAILS)  
PLATED THROUGH-HOLE REQUIREMENTS

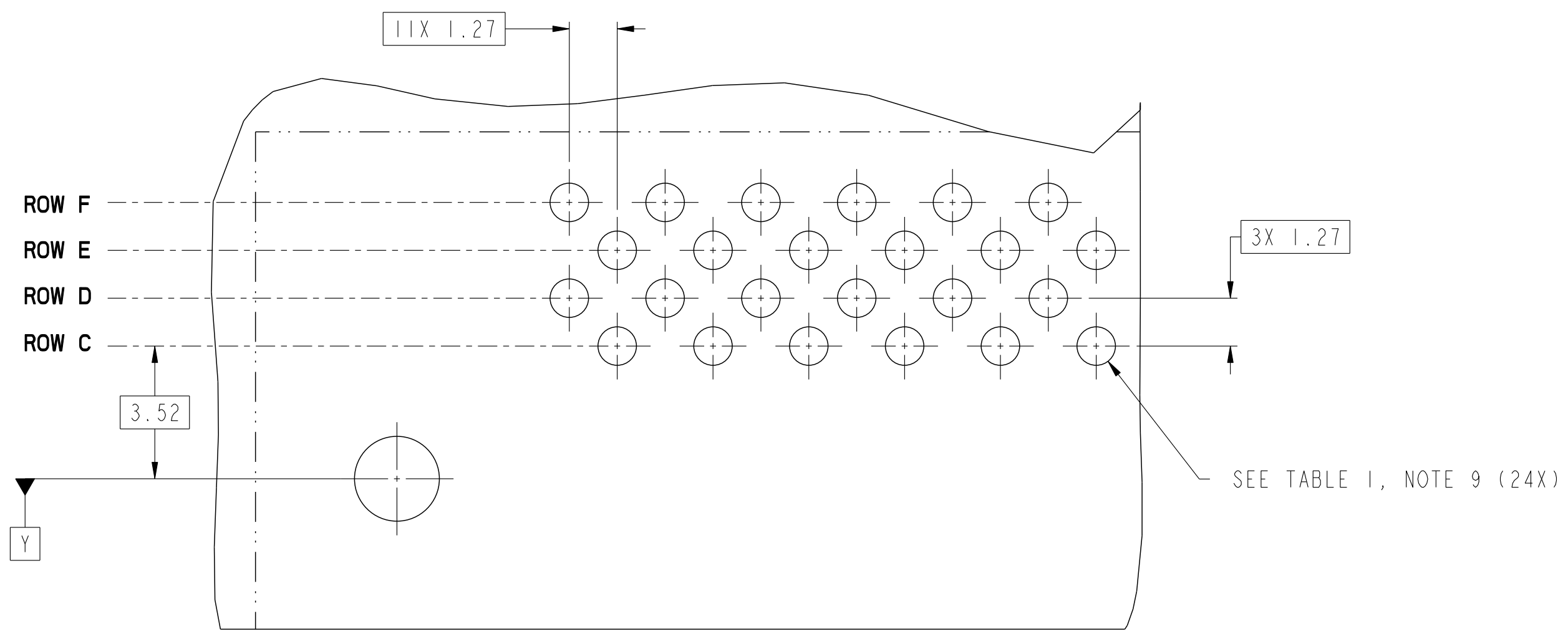
| CONTACT TYPE | TOP LAYER DESCRIPTION | DRILLED HOLE DIAMETER  | COPPER THICKNESS | TIN-LEAD THICKNESS     | TIN THICKNESS | FINISHED HOLE DIAMETER |
|--------------|-----------------------|------------------------|------------------|------------------------|---------------|------------------------|
|              |                       | POWER & SIGNAL         | TIN-LEAD         | 1.10-1.16 (1.15 DRILL) | 0.025 - 0.050 | 0.005 - 0.015          |
|              | IMMERSION TIN         | 1.10-1.16 (1.15 DRILL) | 0.025 - 0.050    | --                     | 0.9 - 1.5um   | 0.94 - 1.10            |
|              | COPPER (SEE NOTE 8)   | 1.10-1.16 (1.15 DRILL) | 0.025 - 0.050    | --                     | --            | 0.94 - 1.10            |



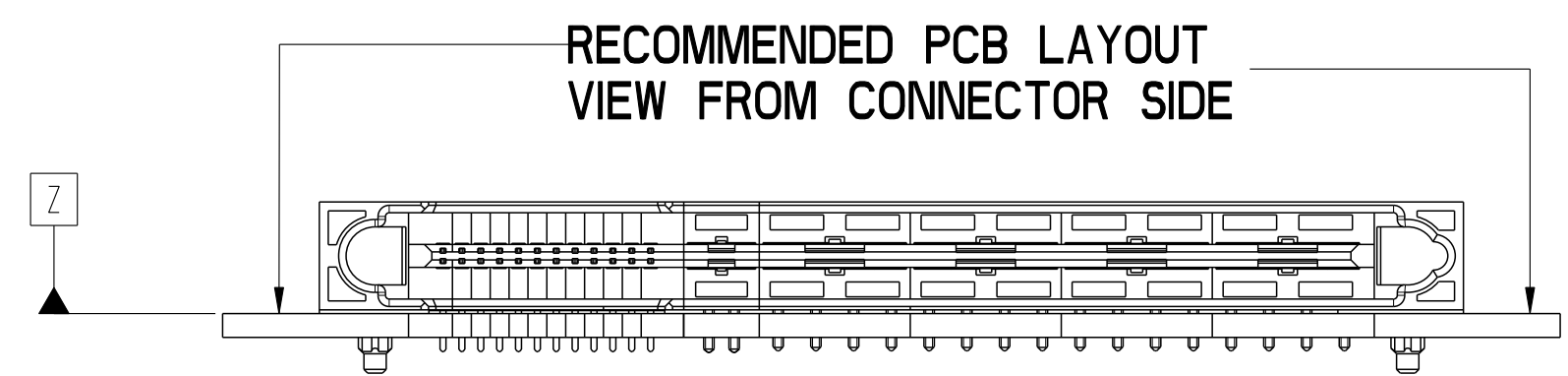
SEE TABLE I, NOTE 9 (36X)

|           |   |   |   |
|-----------|---|---|---|
| Ø 0.10(M) | Z | Y | X |
| Ø 0.10(M) | Z |   |   |

SEE DETAIL A



DETAIL A  
SCALE 8:1



SCALE 2:1

|                                       |   |        |             |            |            |      |        |           |         |              |         |    |     |   |  |                        |             |          |          |   |
|---------------------------------------|---|--------|-------------|------------|------------|------|--------|-----------|---------|--------------|---------|----|-----|---|--|------------------------|-------------|----------|----------|---|
| spec ref                              | -   | dr     | Daniel Xiao | 2013-08-02 | projection | MM   | size   | A2        | scale   | 4:1          |         |    |     |   |  |                        |             |          |          |   |
| tolerance std                         | ASME Y14.5  | eng    | Daniel Xiao | 2013-08-02 |            |      | ecn no | rel level | In Work | rev          |         |    |     |   |  |                        |             |          |          |   |
| TOLERANCES UNLESS OTHERWISE SPECIFIED |   | chr    | Daniel Xiao | 2013-08-02 |            |      |        |           |         |              |         |    |     |   |  |                        |             |          |          |   |
|                                       |   | appr   |             |            |            |      |        |           |         |              |         |    |     |   |  |                        |             |          |          |   |
| surface                               | <table border="1"> <tr> <td>linear</td> <td>0.X</td> <td>±0.3</td> </tr> <tr> <td></td> <td>0.XX</td> <td>±0.10</td> </tr> <tr> <td></td> <td>0.XXX</td> <td>±0.05</td> </tr> <tr> <td>angular</td> <td>0°</td> <td>±2°</td> </tr> </table> | linear | 0.X         | ±0.3       |            | 0.XX | ±0.10  |           | 0.XXX   | ±0.05        | angular | 0° | ±2° | <b>Amphenol FCI</b><br>R/A HEADER 36P-24S WITH GUIDE<br>(HP2/BTB) |  | product family<br>HPCE | www.fci.com | cat. no. | 10119040 | 2 |
| linear                                | 0.X   | ±0.3   |             |            |            |      |        |           |         |              |         |    |     |   |  |                        |             |          |          |   |
|                                       | 0.XX  | ±0.10  |             |            |            |      |        |           |         |              |         |    |     |   |  |                        |             |          |          |   |
|                                       | 0.XXX   | ±0.05  |             |            |            |      |        |           |         |              |         |    |     |   |  |                        |             |          |          |   |
| angular                               | 0°  | ±2°    |             |            |            |      |        |           |         |              |         |    |     |   |  |                        |             |          |          |   |
| Product - Customer Drw                |   |        |             |            |            |      |        |           |         | sheet 2 of 4 |         |    |     |   |  |                        |             |          |          |   |

Amphenol FCI

© 2016 AFCI

PRODUCT PART NUMBER

10119040-□□□□LF

BASE NUMBER

CONTACT AREA PLATING  
 UNDERPLATED 50u'' MIN. NICKEL  
 1: 30u'' MIN. GXT  
 2: 100u'' MIN. Ag

FIRST MATE LAST BREAK OIN POSITION  
 000: ALL PINS ARE LONG PINS, SEE TABLE 2,3,4,5,6

DIM "A", TAIL LENGTH  
 1: 2.60±0.25mm (PCB THK 1.57±0.13MM)  
 2: 3.25±0.25mm (PCB THK 2.36±0.13MM)

| 000<br>(TABLE 2) | END<br>MODULE | SIGNAL CONTACT |     |     |     |     |     |     |    | POWER CONTACT<br>(2 BEAM) | POWER CONTACT (4 BEAM) |    |    |       |  | END<br>MODULE |
|------------------|---------------|----------------|-----|-----|-----|-----|-----|-----|----|---------------------------|------------------------|----|----|-------|--|---------------|
|                  |               | 7~12           | 6   | 5   | 4   | 3   | 2   | 1   | 1  | 4                         | 3                      | 2  | 1  | ROW A |  |               |
|                  | ROW C         | SEE<br>TABLE 3 | N/A | S1  | N/A | S1  | N/A | S1  | P1 | P1                        | P1                     | P1 | P1 | ROW A |  |               |
|                  | ROW D         |                | S2  | N/A | S2  | N/A | S2  | N/A | P3 | P3                        | P3                     | P3 | P3 | ROW B |  |               |
|                  | ROW E         |                | N/A | S3  | N/A | S3  | N/A | S3  |    |                           |                        |    |    |       |  |               |
|                  | ROW F         |                | S4  | N/A | S4  | N/A | S4  | N/A |    |                           |                        |    |    |       |  |               |

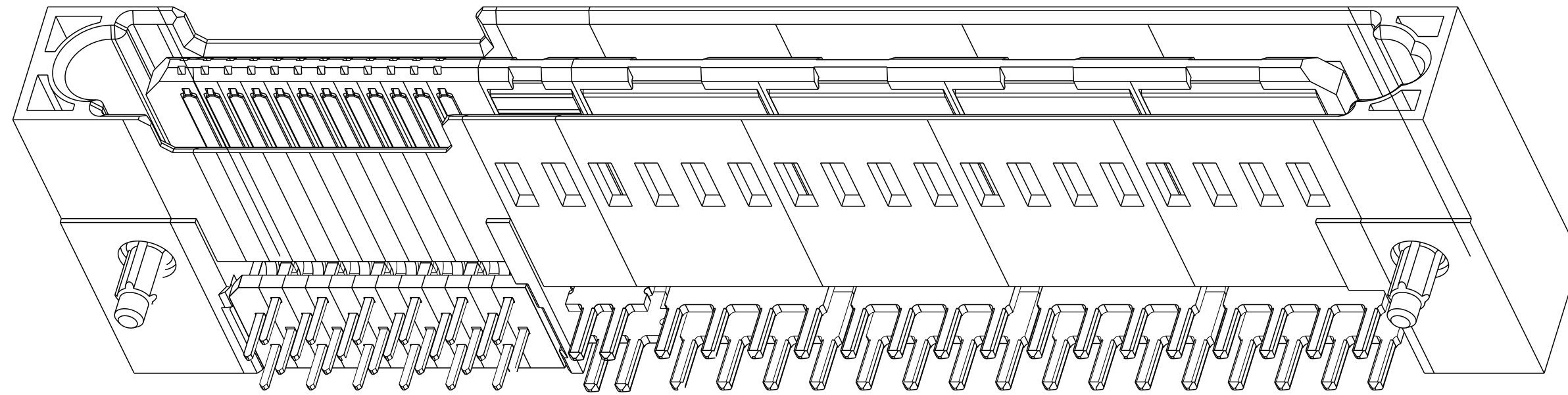
| 000<br>(TABLE 3) | END<br>MODULE | SIGNAL CONTACT |     |     |     |     |     |
|------------------|---------------|----------------|-----|-----|-----|-----|-----|
|                  |               | 12             | 11  | 10  | 9   | 8   | 7   |
|                  | ROW C         | N/A            | S1  | N/A | S1  | N/A | S1  |
|                  | ROW D         | S2             | N/A | S2  | N/A | S2  | N/A |
|                  | ROW E         | N/A            | S3  | N/A | S3  | N/A | S3  |
|                  | ROW F         | S4             | N/A | S4  | N/A | S4  | N/A |

| POWER<br>CONTACT<br>QUAD BEAM<br>(TABLE 5) | ROW# | P# | DIM "B"±0.25 | DIM "A"±0.25 |
|--|------|----|--------------|--------------|
|  | A    | P1 |              | 9.01         |
| P2   |      |    | 7.74         | 2.60         |
| P5   |      |    | 9.01         | 3.25         |
| P6   |      |    | 7.74         | 3.25         |
| B  | P3   |    | 9.01         | 2.60         |
|  | P4   |    | 7.74         | 2.60         |
|  | P7   |    | 9.01         | 3.25         |
|  | P8   |    | 7.74         | 3.25         |

| SIGNAL<br>CONTACT<br>(TABLE 4) | ROW# | S# | DIM "C"±0.25 | DIM "A"±0.25 |
|--------------------------------|------|----|--------------|--------------|
|                                | C    | S1 |              | 9.08         |
| S5                             |      |    | 7.81         | 2.60         |
| S9                             |      |    | 9.08         | 3.25         |
| S13                            |      |    | 7.81         | 3.25         |
| D                              | S2   |    | 9.08         | 2.60         |
|                                | S6   |    | 7.81         | 2.60         |
|                                | S10  |    | 9.08         | 3.25         |
|                                | S14  |    | 7.81         | 3.25         |
| E                              | S3   |    | 9.08         | 2.60         |
|                                | S7   |    | 7.81         | 2.60         |
|                                | S11  |    | 9.08         | 3.25         |
|                                | S15  |    | 7.81         | 3.25         |
| F                              | S4   |    | 9.08         | 2.60         |
|                                | S8   |    | 7.81         | 2.60         |
|                                | S12  |    | 9.08         | 3.25         |
|                                | S16  |    | 7.81         | 3.25         |

| POWER<br>CONTACT<br>DUAL BEAM<br>(TABLE 6) | ROW# | P# | DIM "B"±0.25 | DIM "A"±0.25 |
|--|------|----|--------------|--------------|
|  | A    | P1 |              | 9.01         |
| P2   |      |    | 7.74         | 2.60         |
| P5   |      |    | 9.01         | 3.25         |
| P6   |      |    | 7.74         | 3.25         |
| B  | P3   |    | 9.01         | 2.60         |
|  | P4   |    | 7.74         | 2.60         |
|  | P7   |    | 9.01         | 3.25         |
|  | P8   |    | 7.74         | 3.25         |

|                                       |   |        |             |            |            |      |        |           |         |       |         |    |     |  |  |  |  |             |          |                        |              |
|---------------------------------------|---|--------|-------------|------------|------------|------|--------|-----------|---------|-------|---------|----|-----|--|--|--|--|-------------|----------|------------------------|--------------|
| spec ref                              | -   | dr     | Daniel Xiao | 2013-08-02 | projection | MM   | size   | A2        | scale   | 4:1   |         |    |     |  |  |  |  |             |          |                        |              |
| tolerance std                         | ASME Y14.5  | eng    | Daniel Xiao | 2013-08-02 |            |      | ecn no | rel level | In Work | rev   |         |    |     |  |  |  |  |             |          |                        |              |
| TOLERANCES UNLESS OTHERWISE SPECIFIED |   | chr    | Daniel Xiao | 2013-08-02 |            |      |        |           |         |       |         |    |     |  |  |  |  |             |          |                        |              |
| surface                               | <table border="1"> <tr> <td>linear</td> <td>0.X</td> <td>±0.3</td> </tr> <tr> <td></td> <td>0.XX</td> <td>±0.10</td> </tr> <tr> <td></td> <td>0.XXX</td> <td>±0.05</td> </tr> <tr> <td>angular</td> <td>0°</td> <td>±2°</td> </tr> </table> | linear | 0.X         | ±0.3       |            | 0.XX | ±0.10  |           | 0.XXX   | ±0.05 | angular | 0° | ±2° |  |  | R/A HEADER 36P-24S WITH GUIDE<br>(HP2/BTB) |  | www.fci.com | cat. no. | Product - Customer Drw | sheet 3 of 4 |
| linear                                | 0.X   | ±0.3   |             |            |            |      |        |           |         |       |         |    |     |  |  |  |  |             |          |                        |              |
|                                       | 0.XX  | ±0.10  |             |            |            |      |        |           |         |       |         |    |     |  |  |  |  |             |          |                        |              |
|                                       | 0.XXX   | ±0.05  |             |            |            |      |        |           |         |       |         |    |     |  |  |  |  |             |          |                        |              |
| angular                               | 0°  | ±2°    |             |            |            |      |        |           |         |       |         |    |     |  |  |  |  |             |          |                        |              |



NOTES:

1. CONNECTOR MATERIALS:

HOUSING: HIGH TEMPERATURE THERMAL PLASTIC, BLACK  
 UL 94V-0 COMPLIANT  
 CONTACTS: HIGH PERFORMANCE COPPER ALLOY.

2. CONTACT FINISH REF. GS-12-1031 SECTION TBD

3. PRODUCT SPECIFICATION: GS-12-1031

4. APPLICATION SPECIFICATION: GS-20-0338

5. PRODUCT MARKING (FCI PART NUMBER & DATE CODE) ON HOUSING IN AREA SHOWN.

6. PACKAGING MEETS FCI SPECIFICATION GS-14-937.

7. HOUSING COMPONENT WILL WITHSTAND EXPOSURE TO 260°C PEAK TEMPERATURE FOR 60 SECONDS IN A CONVECTION, INFRA-RED, OR VAPOR PHASE REFLOW OVEN.

8. COPPER PLATING THICKNESS IN CENTER OF VIA-HOLE CAN BE NO MORE THAN 0.003 LESS THAN OTHER AREAS.

9. ALL HOLE SIZES ARE FINISHED HOLE SIZES.

10. MOUNTING HOLES ARE UNPLATED  
 Ø 2.20±0.05 FOR SOLDER TAILS

Amphenol  
FCI

© 2016 AFCI

|                                       |            |         |                                       |  |             |                     |            |  |                 |              |         |     |
|---------------------------------------|------------|---------|---------------------------------------|--|-------------|---------------------|------------|--|-----------------|--------------|---------|-----|
| spec ref                              | -          |         |                                       | dr   | Daniel Xiao | 2013-08-02          | projection | MM   | size            | A2           | scale   | 4:1 |
| tolerance std                         | ASME Y14.5 |         |                                       | eng  | Daniel Xiao | 2013-08-02          |            |  | ecn no          |              | -       |     |
| TOLERANCES UNLESS OTHERWISE SPECIFIED |            |         |                                       | chr  | Daniel Xiao | 2013-08-02          |            |  | rel level       |              | In Work |     |
| surface                               |            | linear  | 0.X ±0.3<br>0.XX ±0.10<br>0.XXX ±0.05 |  |             | product family HPCE |            | title R/A HEADER 36P-24S WITH GUIDE<br>(HP2/BTB) | dwg no 10119040 | rev 2        |         |     |
| ASME Y14.5                            |            | angular | 0° ±2°                                | <a href="http://www.fci.com">www.fci.com</a> |             | cat. no. -          |            | Product - Customer Drw                           |                 | sheet 4 of 4 |         |     |