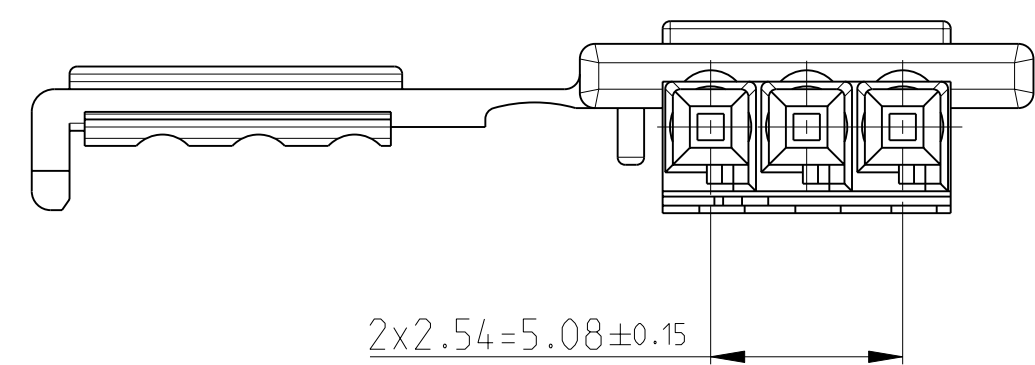
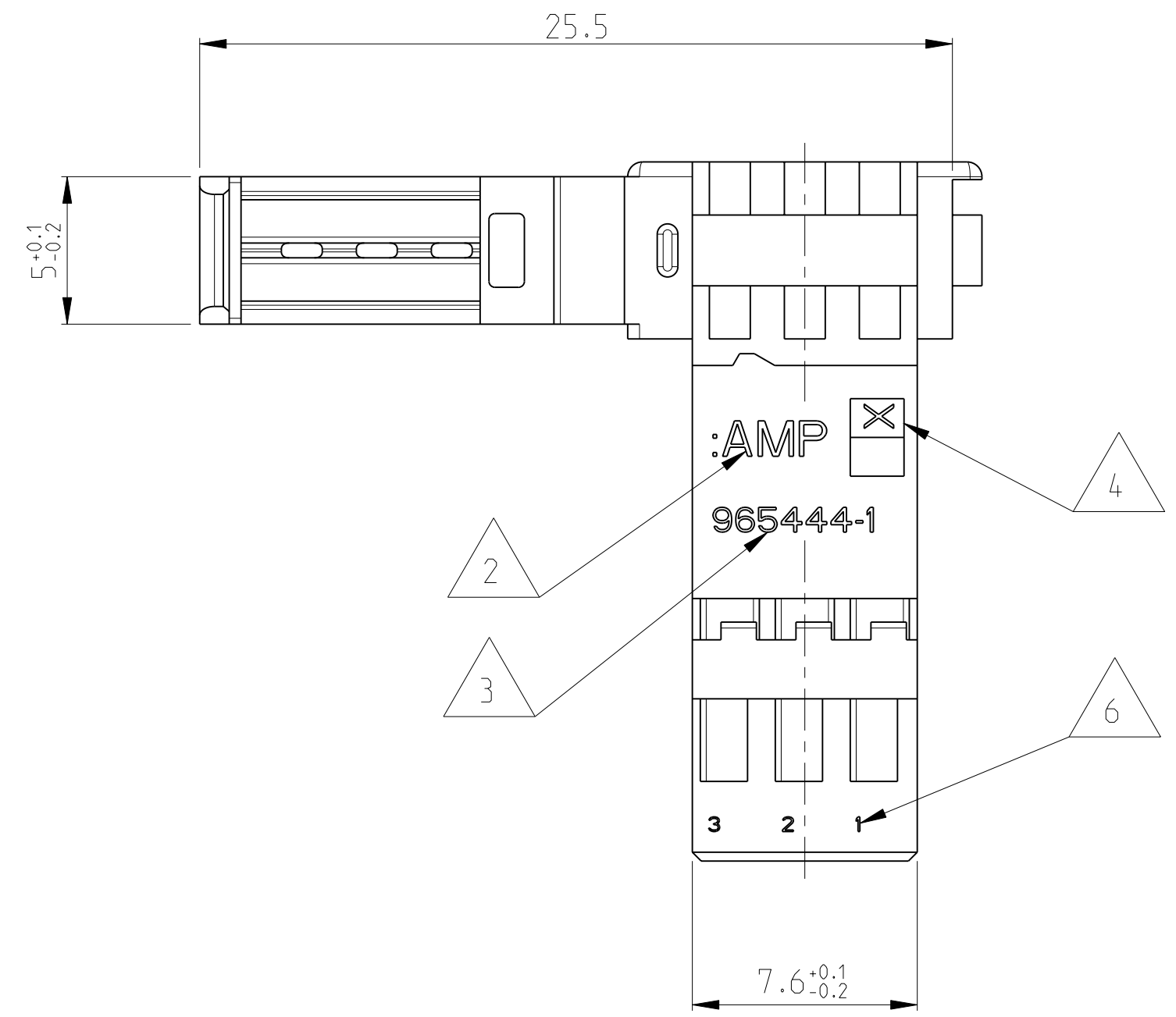
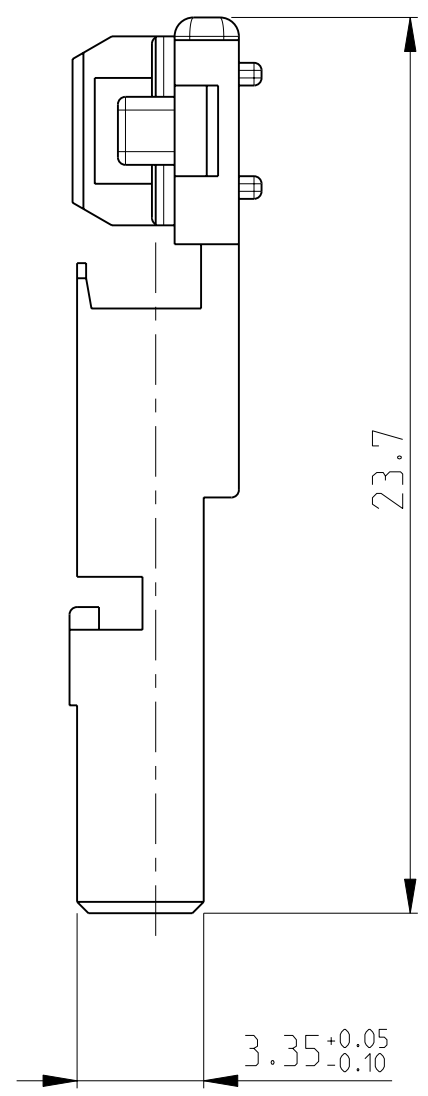
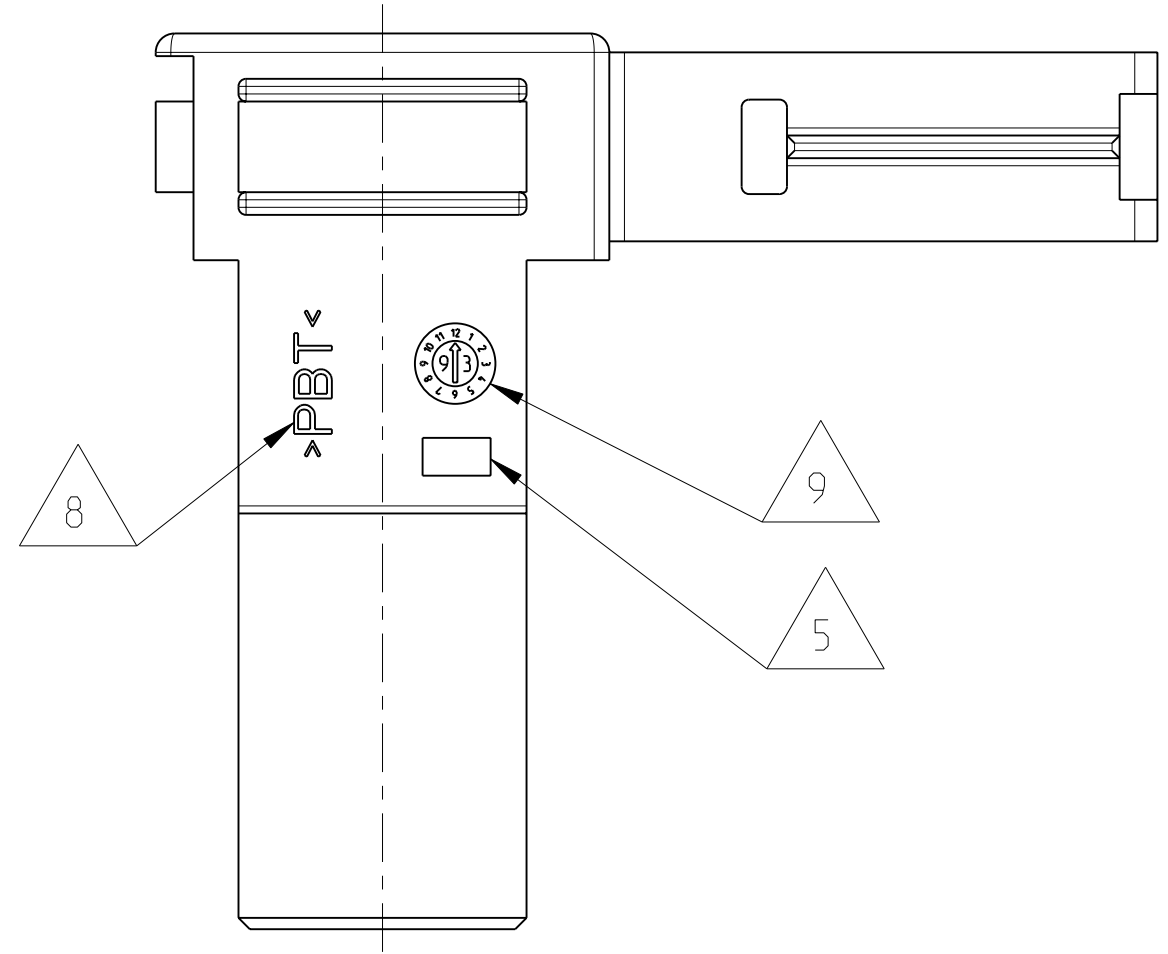


THIS DRAWING IS UNPUBLISHED. RELEASED FOR PUBLICATION 2009
 © COPYRIGHT 2009 BY TYCO ELECTRONICS CORPORATION. ALL RIGHTS RESERVED.

LOC	DIST	REVISIONS			
P	LTR	DESCRIPTION	DATE	DWN	APVD
A1	-				
B		Drawing updated	16JUN1994	Mattern	GS
B2		SEE ECR-10-001511	21MAY2010	HM	GS



NOTES

Bemerkungen

- 1 FITS TO HEADER PN 967279-1
Passend zu Gegenstecker PN 967279-1
- 2 COMPANY-LOGO
Firmen-Logo
- 3 ORDER-NUMBER
Bestell-Nummer
- 4 REVISIONS-NUMBER
Werkzeugaenderungsindex
- 5 TOOL CAVITY MARKING
Nestmarkierung
- 6 CAVITY MARKING
Kammernumerierung
- 7 PACKAGING: BULK PACKAGING IN CORRUGATED SHIPPING BOX
Verpackung: Schüttgut in Versandkarton
- 8 MATERIAL MARKING
Werkstoffkennzeichnung
- 9 PRODUCTION-DATE WITH DATE
Produktionsdatum mit Datumshur

TE-ASSY PART NO	REV	QTY	DESCRIPTION	MATERIAL	COLOUR	ITEM NO
965444-1	B					
	1		SOCKET HOUSING	PBT	BLACK	1

<small>THIS DRAWING IS A CONTROLLED DOCUMENT FOR TYCO ELECTRONICS CORPORATION. IT IS SUBJECT TO CHANGE AND THE CONTROLLING ENGINEERING ORGANIZATION SHOULD BE CONTACTED FOR THE LATEST REVISION.</small>		DWN H.Meinhardt 26JAN2010 CHK - APVD - PRODUCT SPEC - APPLICATION SPEC - WEIGHT - CUSTOMER DRAWING	Tyco Electronics Tyco Electronics AMP GmbH 64625 Bensheim (Germany)	NAME 3POS. MQS SOCKET HOUSING 3pol. MQS Buchsengehäuse	SIZE A2 CAGE CODE 00779 DRAWING NO. 965444 RESTRICTED TO -
DIMENSIONS: mm 		TOLERANCES UNLESS OTHERWISE SPECIFIED: 0 PLC ±0.25mm 1 PLC ±- 2 PLC ±- 3 PLC ±- 4 PLC ±- ANGLES ±1° FINISH -		SCALE 5:1 SHEET 1 OF 1 REV B2	