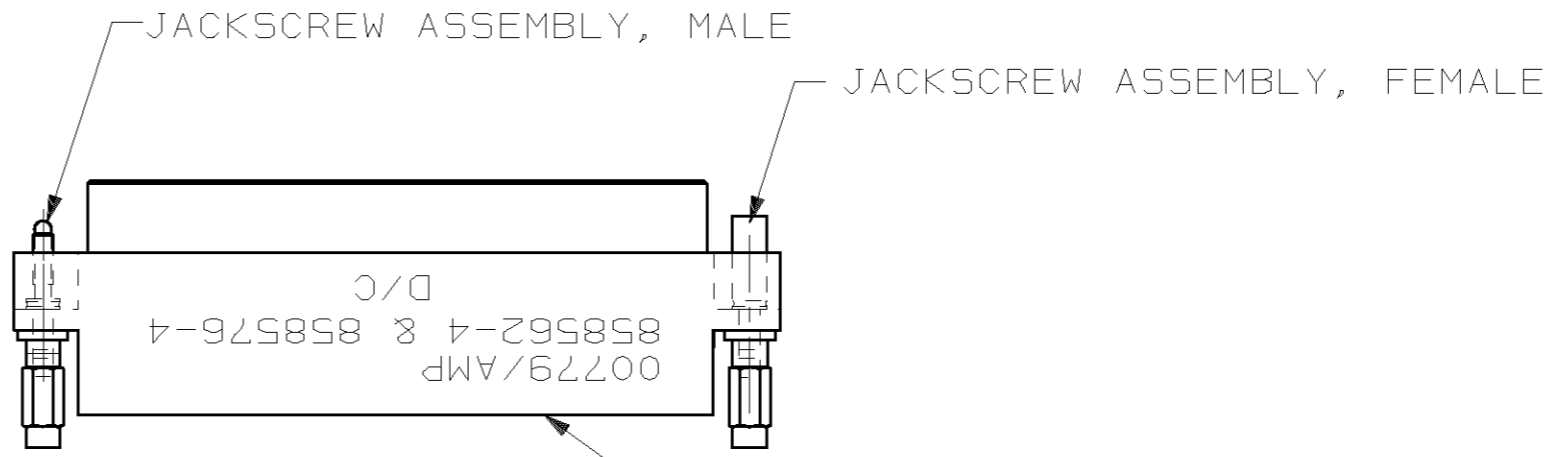
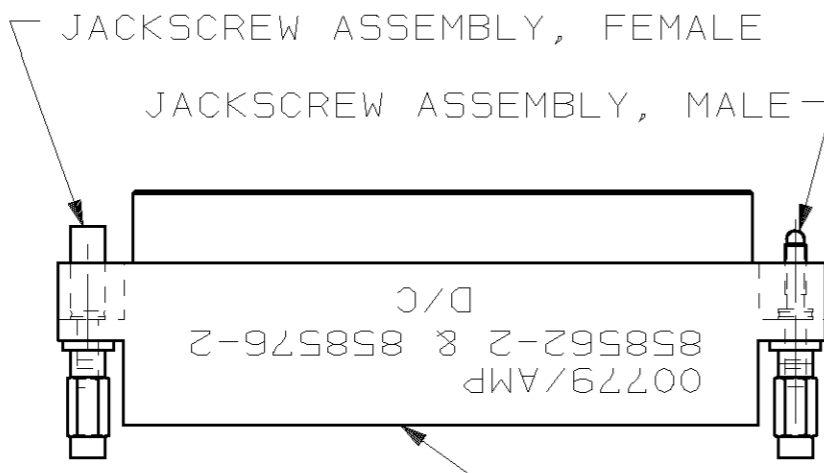
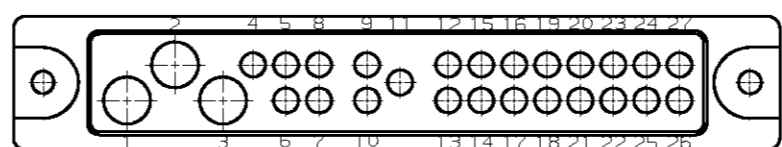
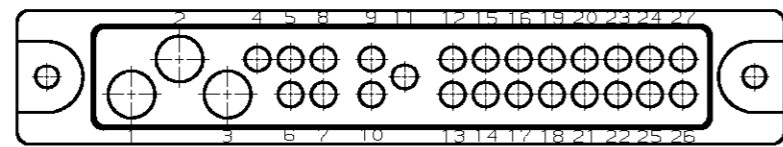


LOC	DIST	P	F	ZONE	LTR	DESCRIPTION	DATE	APPD
DF	DO					D REV PER 0600-8481-99 JEB	2-00	DE

⚠ MARK AMP, BOTH AMP PART NUMBERS AND DATE CODE PER 115-36004-1. BOTH PART NUMBERS SHOWN BELOW.

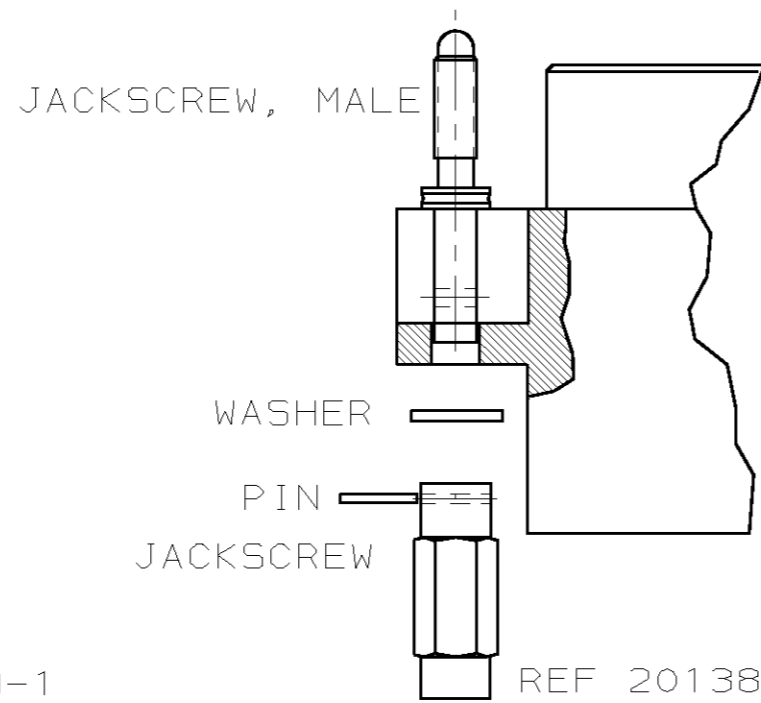
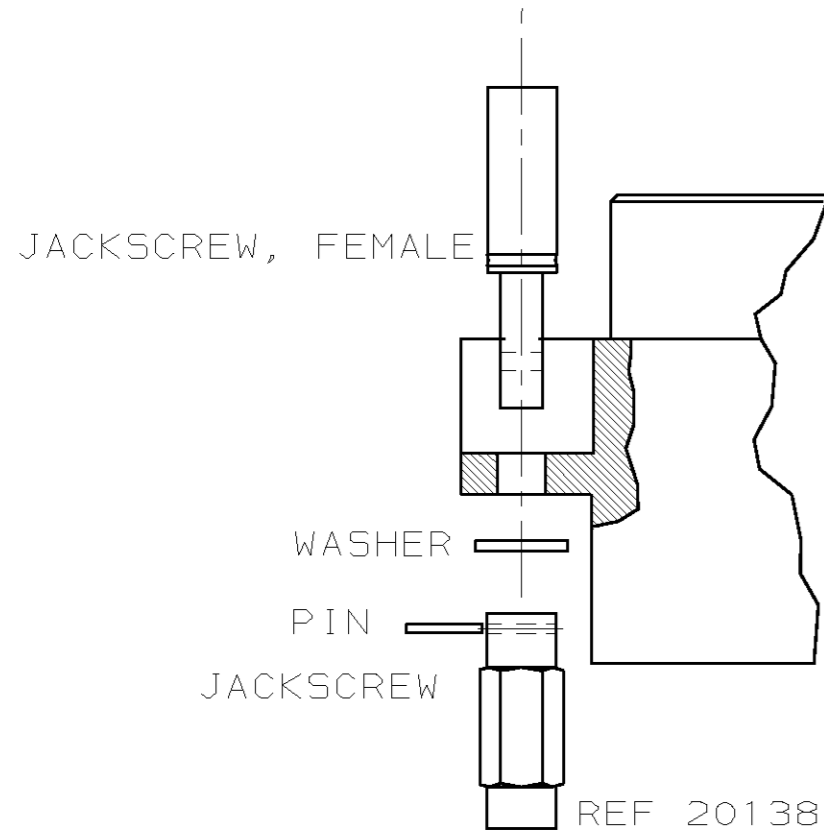


RECEPTACLE BLOCK

RECEPTACLE BLOCK

PART NO 858676-2

PART NO 858676-4



REF 201389-1
 FEMALE JACKSCREW KIT
 TYPICAL
 SCALE 2:1

REF 201388-1
 MALE JACKSCREW KIT
 TYPICAL
 SCALE 2:1

DO NOT SCALE PRINT. UNLESS SPECIFIED DIMENSIONS IN mm [INCHES] TOLERANCES ON : 2 PLC DEC ± - 3 PLC DEC ± - ANGLES ± -		DR 02FEB00 J.E.BEATTY		PART NO	
MATERIAL MOLDED GLASS EPOXY		CHK 02FEB00 D.G.EABY		AMP Incorporated Harrisburg, PA 17105-3608 NAME RECEPTACLE ASSEMBLY LDG	
FINISH NATURAL		APPD 02FEB00 D.G.EABY			
APPLICATION SPEC		SIZE	CAGE CODE	DRAWING NO	
WEIGHT		SCALE	00779	C=858576	
				SHEET	1 OF 1

THIS DRAWING IS A CONTROLLED DOCUMENT FOR AMP INCORPORATED. IT IS SUBJECT TO CHANGE AND THE CONTROLLING ENGINEERING ORGANIZATION SHOULD BE CONTACTED FOR THE LATEST REVISION.