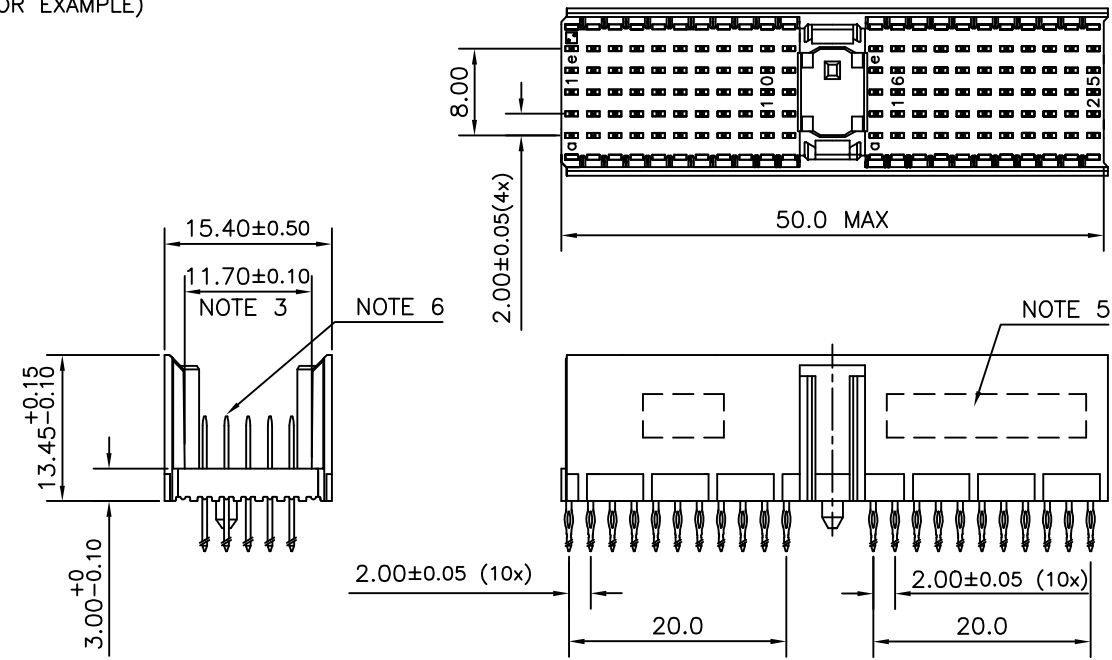


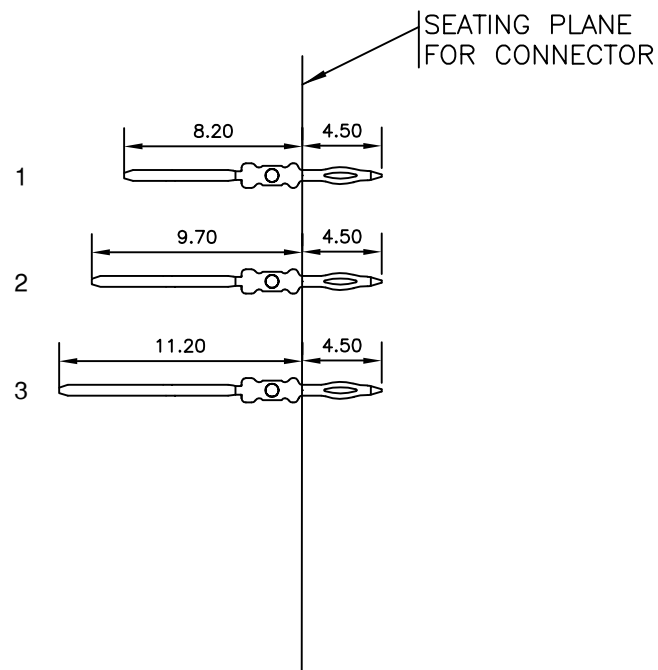
LOADING PATTERN MATING SIDE

f	0	0	0	0	0	0	0	0	0	0	0	0	0	0	0	0	0	0	0	0
e	2	2	2	2	2	2	2	2	2	2	2	2	2	2	2	2	2	2	2	2
d	2	2	2	2	2	2	2	2	2	2	2	2	2	2	2	2	2	2	2	2
c	2	2	2	2	2	2	2	2	2	2	2	2	2	2	2	2	2	2	2	2
b	2	2	2	2	2	2	2	2	2	2	2	2	2	2	2	2	2	2	2	2
a	3	2	2	3	2	2	2	3	2	2	2	2	3	3	2	2	3	2	2	2
z	0	0	0	0	0	0	0	0	0	0	0	0	0	0	0	0	0	0	0	0
POS	0	1	0	5	1	0	5	1	0	5	1	0	5	1	0	5	1	0	5	1

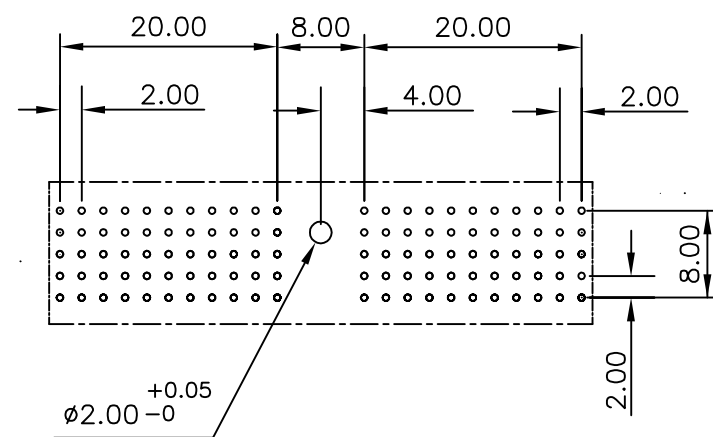
LOADED CONNECTOR ASSEMBLY (FOR EXAMPLE)



CONTACT OVERVIEW



LAY-OUT P.C.B.-HOLE



HM2P07PCA3L0 **LEAD FREE INDICATOR : LF = LEAD FREE (DIGIT 15 & 16)**  
**PLATING CODE (DIGIT 13 AND 14)**  
 (REF DRW NO. BS,C , 201844 , 003)

NOTES

- THIS PRODUCT IS CSA APPROVED.
  - THIS PRODUCT IS UL RECOGNIZED.
  - MEASURED AT THE BOTTOM.
  - MATERIAL CONTACT: PHOSPHORBRONZE  
HOUSING: CREAM WHITE GLASS FILLED POLYESTER UL-94V0
  - CONNECTOR PRINTED WITH P/N AND DATE CODE.
  - FOR ACTUAL CONTACT LOADINGS, SEE LOADING PATTERN MATING SIDE.
  - SHAPE OF CONNECTOR HOUSING CAN ALTER DEPENDING ON PRODUCTION LOCATION
  - THE PRODUCT (LF) MEETS EUROPEAN UNION DIRECTIVES AND OTHER COUNTRY REGULATIONS AS DESCRIBED IN GS-22-008
  - FOR RECOMMENDED PTH DIMENSIONS REFER DRAWING : BS, A , 201572 , 001
- CATALOG NO: HM2P07PCA3L0----

mat'l. code SEE NOTE 4				surface ISO 1302	tolerance ISO 406 ISO 1101	projection MM	product family MILLIPACS	
ltr	ecn no	dr	date	tolerances unless otherwise specified		MM	title MPACS 5+2R STR HDR PF CONN TYPE A	
A	I04-0006	BKP	2003/01/31	angles	linear			
B	I05-0187	MINI	2005/10/08	0°±1°				
C	I06-0090	MINI	2006/06/26	dr	BIJU K PAUL	2004/01/31	dwg no sheet 1 of 1 size A3	
				enr	BIJU K PAUL	2004/01/31		
				chr	BIJU K PAUL	2006/06/26		
				appd	BIJU K PAUL	2006/06/26		
sheet index	revision sheet	C	1	type Product Customer Drawing				