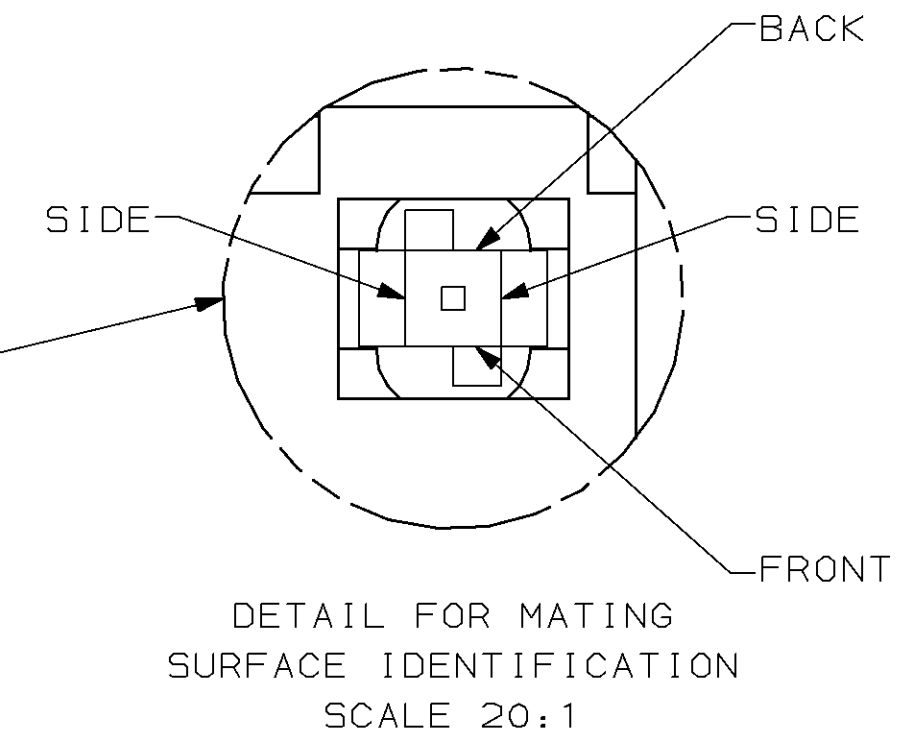
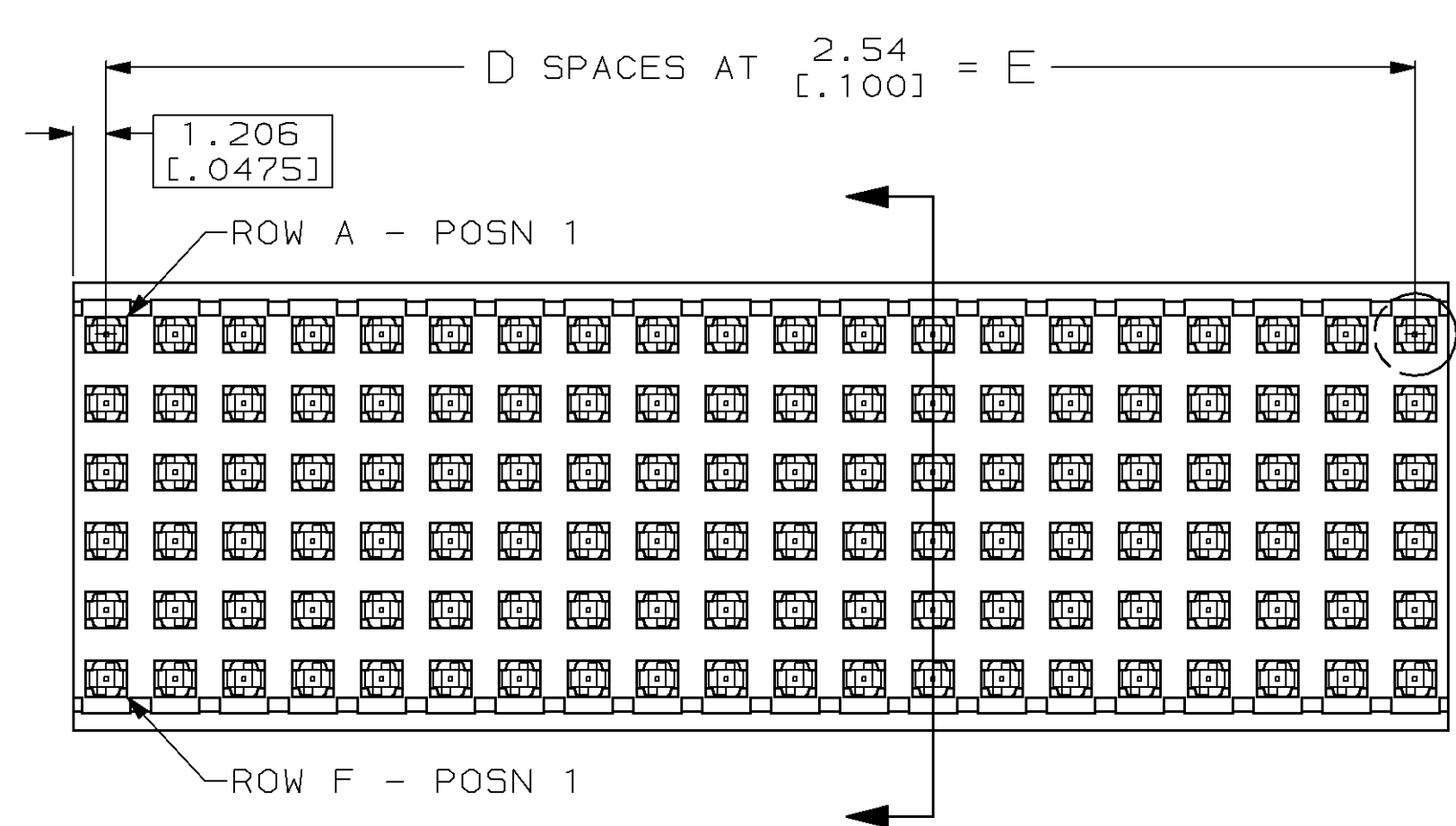
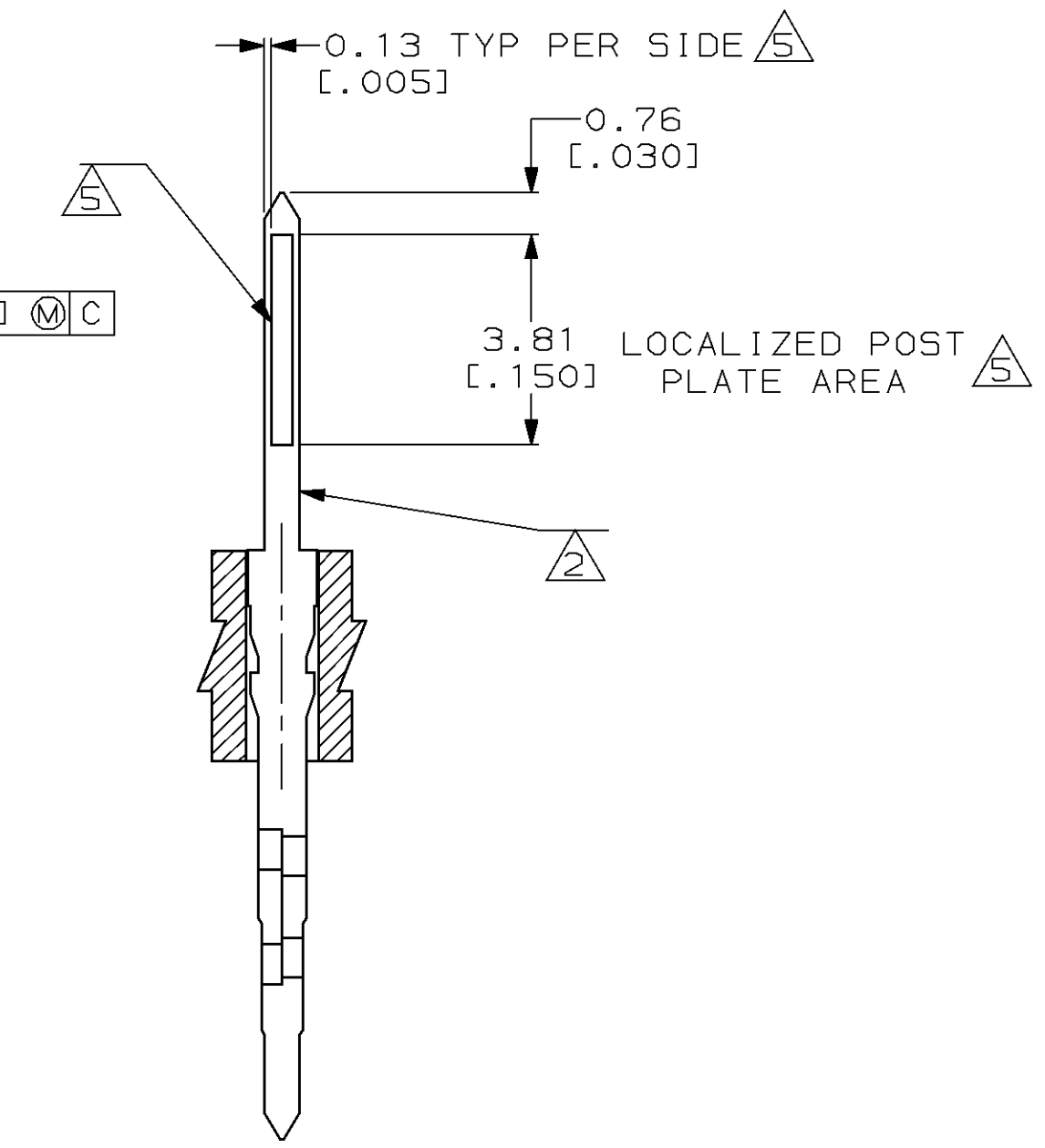
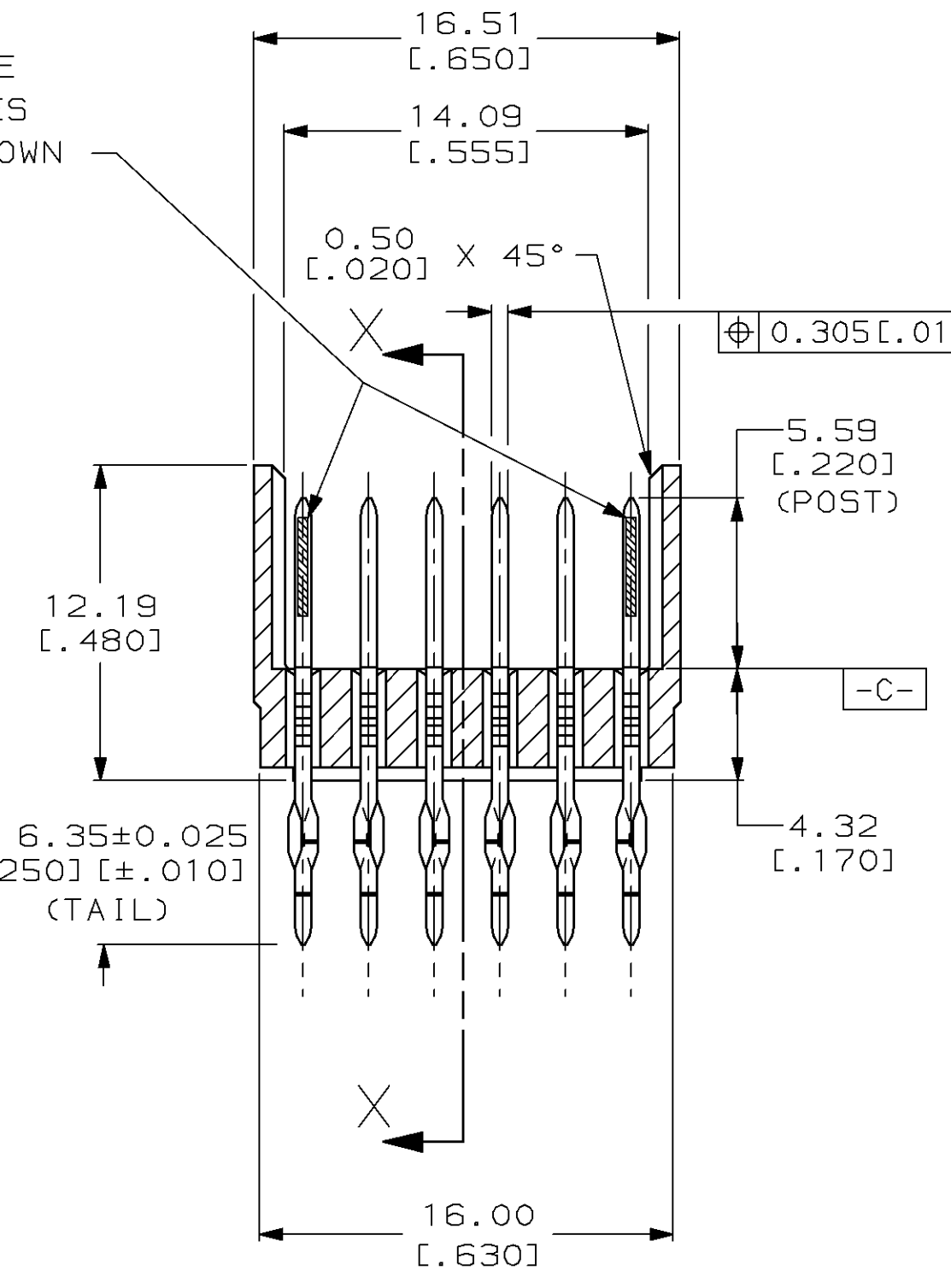
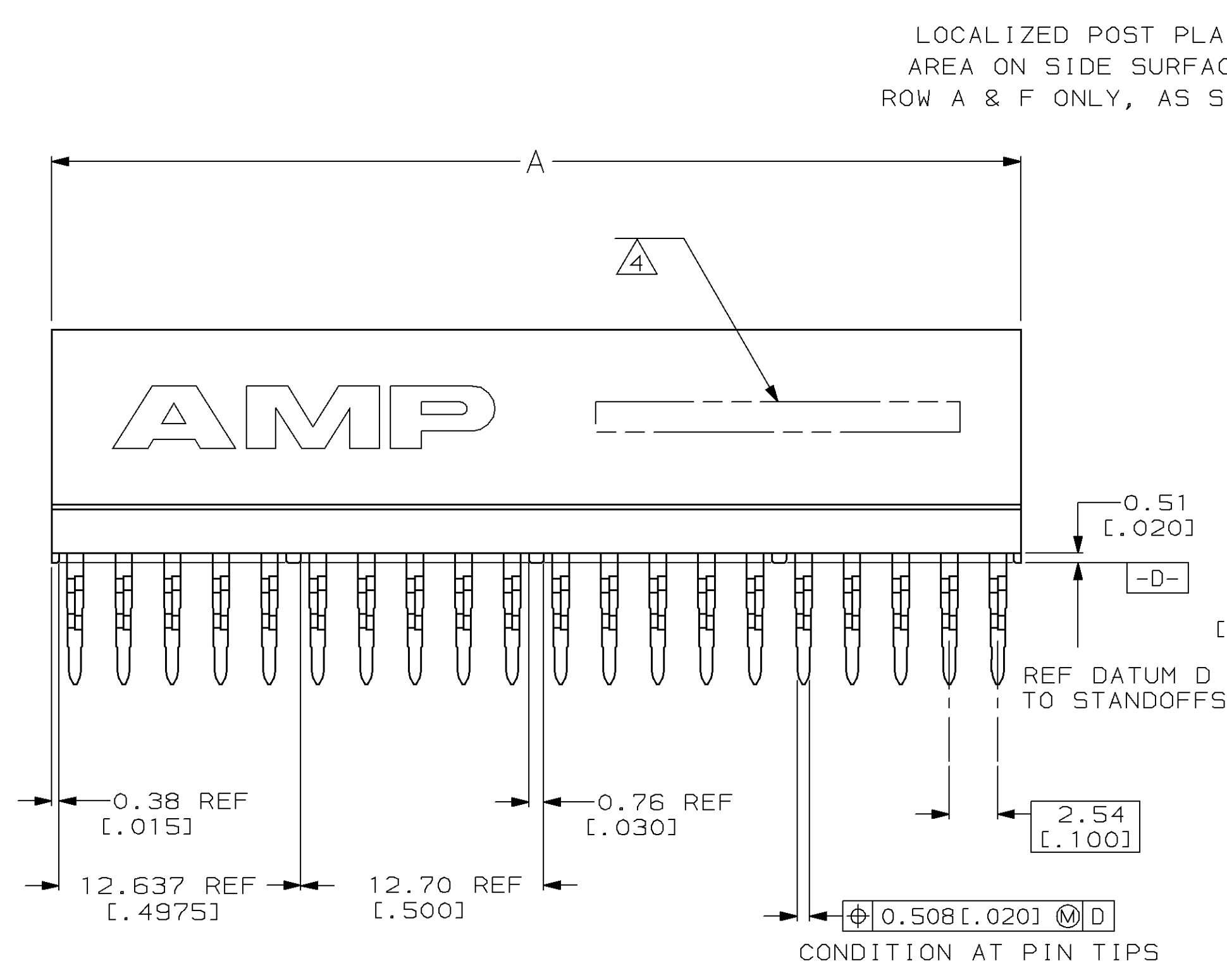


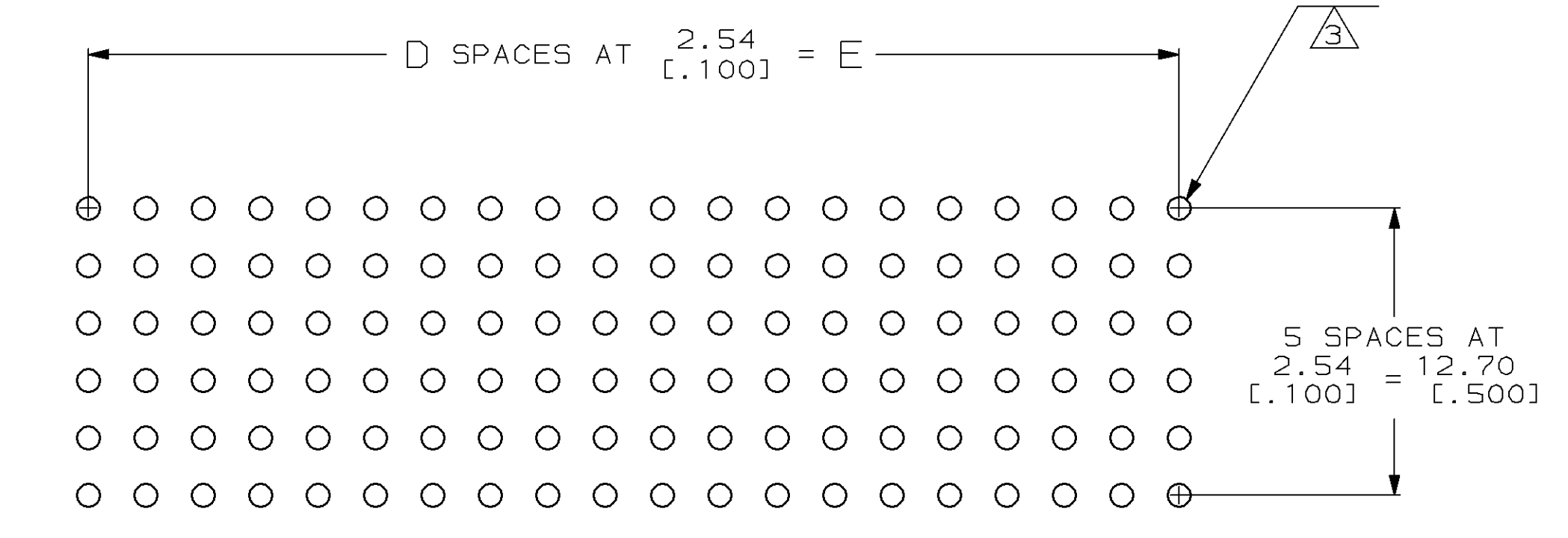
LOC		DIST		REVISIONS			
AD	25	P	LTR	DESCRIPTION	DATE	OWN	APVD
		0		RELEASED PER 94-2306-018	12-19-94	TH	WM
		A		PER EC 0512-95	6-1-95	TS	WM
		B		PER EC 0725-95	6-1-95	TS	WM
		C		PER EC 1667-95	3-18-96	TS	DH
		D		PER EC 0730-96	7-2-96	TS	JR



- 1 MATERIAL: HOUSING - GLASS FILLED POLYESTER, COLOR - BLACK
CONTACTS - PHOSPHOR BRONZE
- 2 FINISH: ALL ROWS (A THRU F) 0.0013[0.00050] MIN NICKEL UNDERPLATE ALL OVER WITH 0.0013[0.00050] MIN DURAGOLD PLATE ON ALL CONTACT AREAS TIN-LEAD PLATE ON ACTION PIN TAILS
- 3 ACTION PIN POSTS REQUIRE 2.36 [0.093] MIN THICK PC BOARD. RECOMMENDED PC BOARD HOLES ARE 1.151 [0.0453] DIA PLATED THROUGH WITH 0.025-0.076 [0.001-.003] COPPER, WITH 0.0076 [0.0003] MIN TIN-LEAD PLATING. AFTER PLATING FINISHED HOLES SHALL BE 0.94-1.09 [0.037-.043] DIA; AFTER REFLOW 0.91-1.09 [0.036-.043] DIA.
- 4 AMP PART NUMBER, DATE CODE AND IBM PART NUMBER (SEE TABLE) MARKED IN THIS APPROXIMATE AREA.
- 5 POROSITY ZONES ARE AS SHOWN IN SECTION:
MATING POST END: ROWS A AND F 3.81[0.150] LOCALIZED POST PLATE AREA TYPICAL ON ALL FOUR SIDES. ROWS B THRU E HAVE 3.81[0.150] LOCALIZED POST PLATE AREA TYPICAL ON FRONT & BACK SURFACES ONLY.



SECTION X-X
SCALE 8:1



RECOMMENDED P.C BOARD LAYOUT

98F2245	48.26 [1.900]	19	50.67 [1.995]	120	536880-2
98F2244	35.56 [1.400]	14	37.97 [1.495]	90	536880-1
IBM PART NUMBER	E	D	A	POSN	PART NO

<small>THIS DRAWING IS A CONTROLLED DOCUMENT FOR AMP INCORPORATED. IT IS SUBJECT TO CHANGE AND THE CONTROLLING ENGINEERING DEPARTMENT SHALL BE CONTACTED FOR THE LATEST REVISION.</small>		DWN T. HOFFMAN 12/12/94 CHK W. MILLHIMES 12-22-94 APP'D W. MILLHIMES 12-22-94 NAME TBC PLUS / CONCENTRATED STRESS CONTACT CENTER PIN MODULE ASSEMBLY FULLY LOADED	AMP Incorporated Harrisburg, PA 17105-3508
DIMENSIONS:	TOLERANCES UNLESS OTHERWISE SPECIFIED:	SIZE	CAGE CODE
mm	0 PLC ±0.02 1 PLC ±0.02 2 PLC ±0.02 3 PLC ±0.005 4 PLC ±0.005 ANGLES 10±30°	A1	00779
MATERIAL	FINISH	WEIGHT	DRAWING NO
△	△	-	C-536880
CUSTOMER DRAWING		SCALE	SHEET
		4:1	1 OF 1