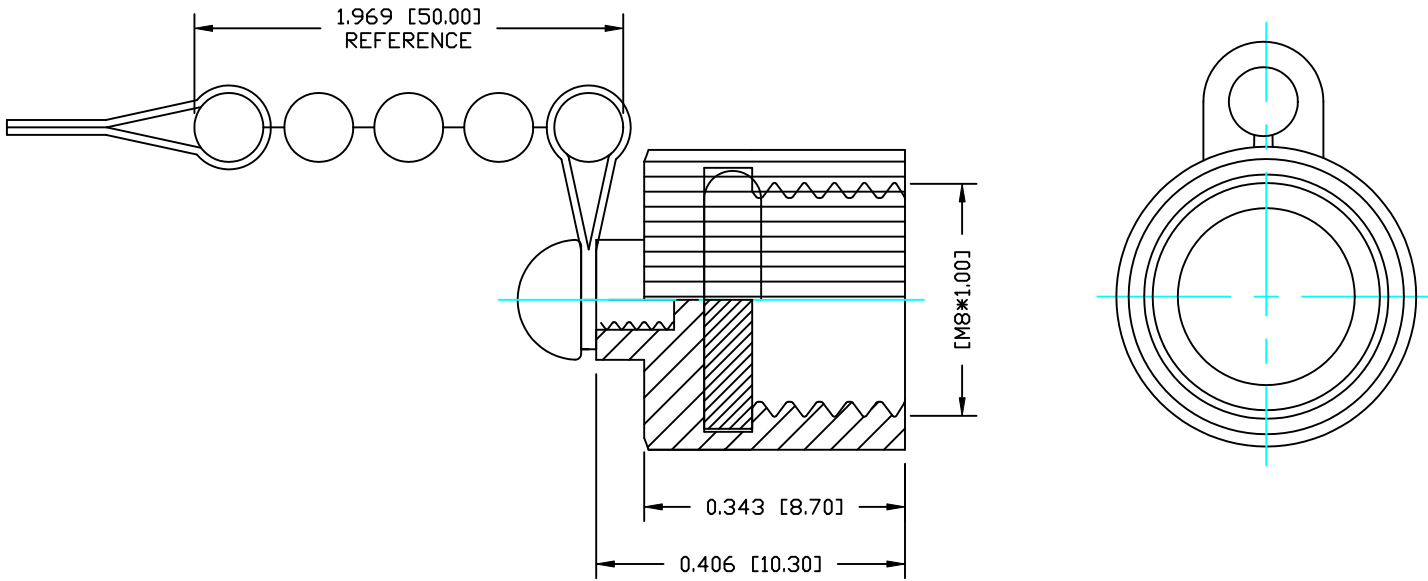


DESCRIPTION: M8 MALE DUST COVER

NOTE:

MATERIAL
 COVER: BRASS
 SCREW: STEEL
 SNAP RING: BRASS
 BEAD CHAIN: STEEL
 O-RING: SILICON, BLACK

FINISH
 COVER: NICKEL PLATED OVER ALL
 SCREW: NICKEL PLATED OVER ALL
 SNAP RING: NICKEL PLATED OVER ALL



RoHS COMPLIANT

DO NOT SCALE FROM DRAWING



THESE DRAWINGS AND SPECIFICATIONS ARE THE PROPERTY OF NorComp AND SHALL NOT BE REPRODUCED, COPIED OR USED AS THE BASIS FOR THE MANUFACTURE OR SALE OF APPARATUS WITHOUT WRITTEN PERMISSION.

DRAWN:
C. SMITH

DATE:
12-12-14

CHECKED:

DATE:

NorComp

SCALE:
NTS

SHEET OF
1 1

REV
0

DWG NO. 854103M-DC