

10 9 8 7 6 5 4 3 2 1

F

E

D

C

B

A

F

E

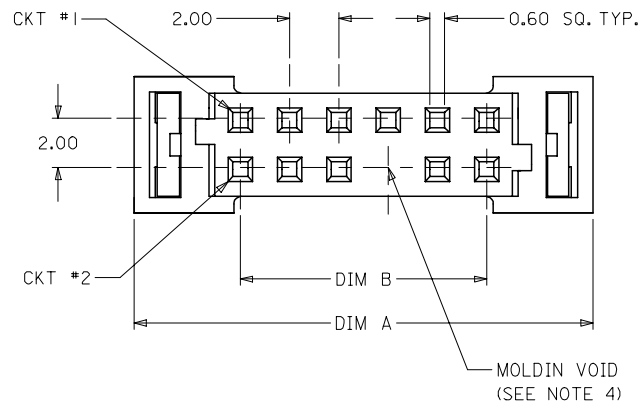
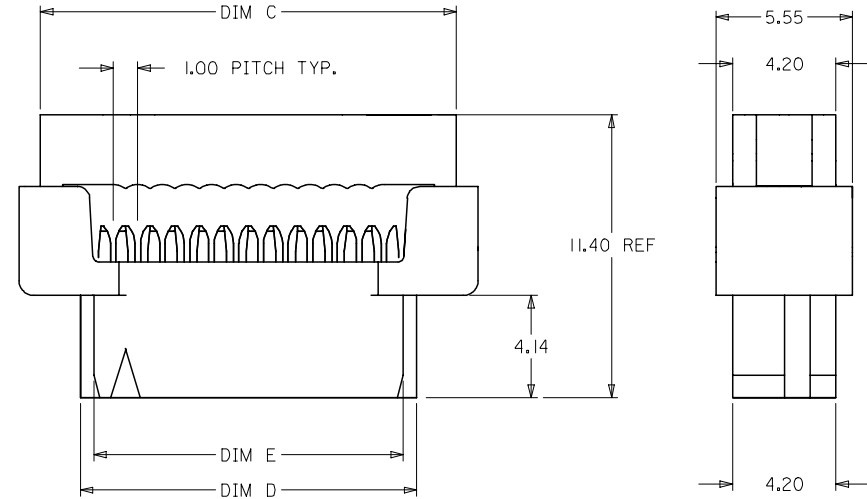
D

C

B

A

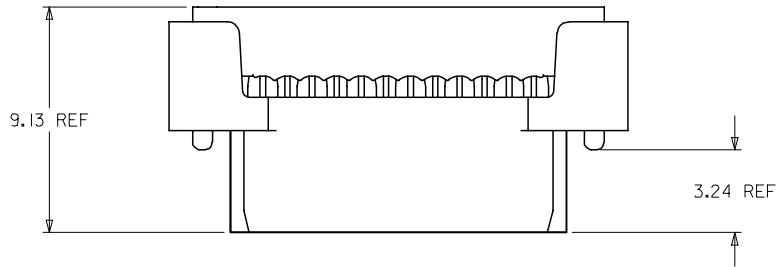
1. MATERIALS:
HOUSING - THERMOPLASTIC, UL94V-0 BLACK
TERMINAL - COPPER ALLOY
2. FINISHES
PLATING 3 - 15µin (0.38µm) SELECTIVE GOLD IN CONTACT AREA
AND 75 µin (1.88µm) TIN IN IDT AREA OVER
50µin (1.25µm) NICKEL OVERALL
PLATING 4 - 30µin (0.76µm) SELECTIVE GOLD IN CONTACT AREA
AND 75 µin (1.88µm) TIN IN IDT AREA OVER
50µin (1.25µm) NICKEL OVERALL
3. PRODUCT SPEC PS-87568-004 APPLIES
4. FOR ILLUSTRATION, CKT I2 IS SHOWN WITH MOLDIN VOID. TERMINALS
FULLY LOADED. SEE TABLE FOR MOLDIN CONFIGURATION
5. PART MATES WITH ALL MILLIGRID HEADERS WITH MATING LENGTH
BETWEEN 2.50mm AND 4.20mm
6. PART IS DESIGNED FOR 1.00mm PITCH FLAT CABLE, 7 STRANDS,
AWG #28, UL2651 AND UL2678



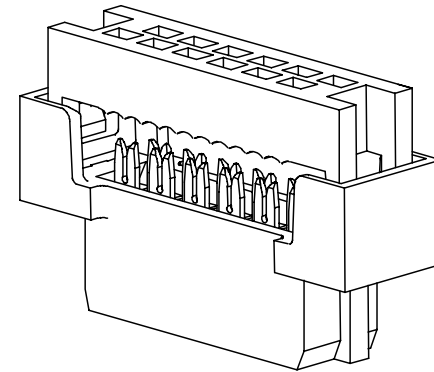
OBS TIN/LEAD P/N EC NO: S2006-0732 DRWN:MLONG CHKD:NAGESHKN APPR:PTLIM	2006/04/03 2006/04/04 2006/04/06	DESCRIPTION REV	QUALITY SYMBOLS ▽=0 △=0	GENERAL TOLERANCES (UNLESS SPECIFIED)	DIMENSION STYLE MM ONLY	SCALE NTS	DESIGN UNITS METRIC	THIRD ANGLE PROJECTION																											
				<table border="1"> <thead> <tr> <th></th> <th>mm</th> <th>INCH</th> </tr> </thead> <tbody> <tr> <td>4 PLACES</td> <td>± ---</td> <td>± ---</td> </tr> <tr> <td>3 PLACES</td> <td>± ---</td> <td>± ---</td> </tr> <tr> <td>2 PLACES</td> <td>± 0.15</td> <td>± ---</td> </tr> <tr> <td>1 PLACE</td> <td>± ---</td> <td>± ---</td> </tr> </tbody> </table>		mm	INCH	4 PLACES	± ---	± ---	3 PLACES	± ---	± ---	2 PLACES	± 0.15	± ---	1 PLACE	± ---	± ---	<table border="1"> <thead> <tr> <th>DRAWN BY</th> <th>DATE</th> <th>TITLE</th> </tr> </thead> <tbody> <tr> <td>JAMES</td> <td>1998/06/23</td> <td rowspan="4" style="text-align: center;">MGRID 2MM DUAL ROW IDT WITH MOLDIN VOID MOLEX INCORPORATED</td> </tr> <tr> <td>CHECKED BY</td> <td>DATE</td> </tr> <tr> <td>SQUEK</td> <td>1998/07/15</td> </tr> <tr> <td>APPROVED BY</td> <td>DATE</td> </tr> </tbody> </table>	DRAWN BY	DATE	TITLE	JAMES	1998/06/23	MGRID 2MM DUAL ROW IDT WITH MOLDIN VOID MOLEX INCORPORATED	CHECKED BY	DATE	SQUEK	1998/07/15	APPROVED BY	DATE			
				mm	INCH																														
			4 PLACES	± ---	± ---																														
3 PLACES	± ---	± ---																																	
2 PLACES	± 0.15	± ---																																	
1 PLACE	± ---	± ---																																	
DRAWN BY	DATE	TITLE																																	
JAMES	1998/06/23	MGRID 2MM DUAL ROW IDT WITH MOLDIN VOID MOLEX INCORPORATED																																	
CHECKED BY	DATE																																		
SQUEK	1998/07/15																																		
APPROVED BY	DATE																																		
	ANGULAR ± 3 °	SKT0H	1998/07/16																																
	DRAFT WHERE APPLICABLE MUST REMAIN WITHIN DIMENSIONS	SIZE A3	SEE TABLE	DOCUMENT NO. SD-87568-005	SHEET NO. 1 OF 2																														

9 8 7 6 5 4 3 2 1

ENGINEERING NUMBER	MOLDIN VOID POSITION	PLATING OPTION	CKT. SIZE	A	B	C	D	E
87568-7003	20	3	44	50.65	42.00	48.90	45.65	44.55
87568-7004		4						



CABLE LOADED ASSEMBLY
(12 CKT SHOWN FOR ILLUSTRATION ONLY)



ISO VIEW
(12 CKT SHOWN FOR ILLUSTRATION ONLY)

OBS TIN/LEAD P/N EC NO: S2006-0732 DRWN:MLONG CHKD:NAJESHKN APPR:PTLIM	QUALITY SYMBOLS ▽=0 ∇=0	GENERAL TOLERANCES (UNLESS SPECIFIED)		DIMENSION STYLE MM ONLY		SCALE NTS	DESIGN UNITS METRIC	THIRD ANGLE PROJECTION		
			mm	INCH	DRAWN BY JAMES	DATE 1998/06/23	TITLE MGRID 2MM DUAL ROW IDT WITH MOLDIN VOID			
		4 PLACES	± ---	± ---	CHECKED BY SQUEK	DATE 1998/07/15				
		3 PLACES	± ---	± ---	APPROVED BY SKT0H	DATE 1998/07/16	MOLEX INCORPORATED			
2 PLACES	± 0.15	± ---	DRAFT WHERE APPLICABLE MUST REMAIN WITHIN DIMENSIONS		SIZE A3	DOCUMENT NO. SD-87568-005	SHEET NO. 2 OF 2			
1 PLACE	± ---	± ---	THIS DRAWING CONTAINS INFORMATION THAT IS PROPRIETARY TO MOLEX INCORPORATED AND SHOULD NOT BE USED WITHOUT WRITTEN PERMISSION							
ANGULAR ± 3 °										