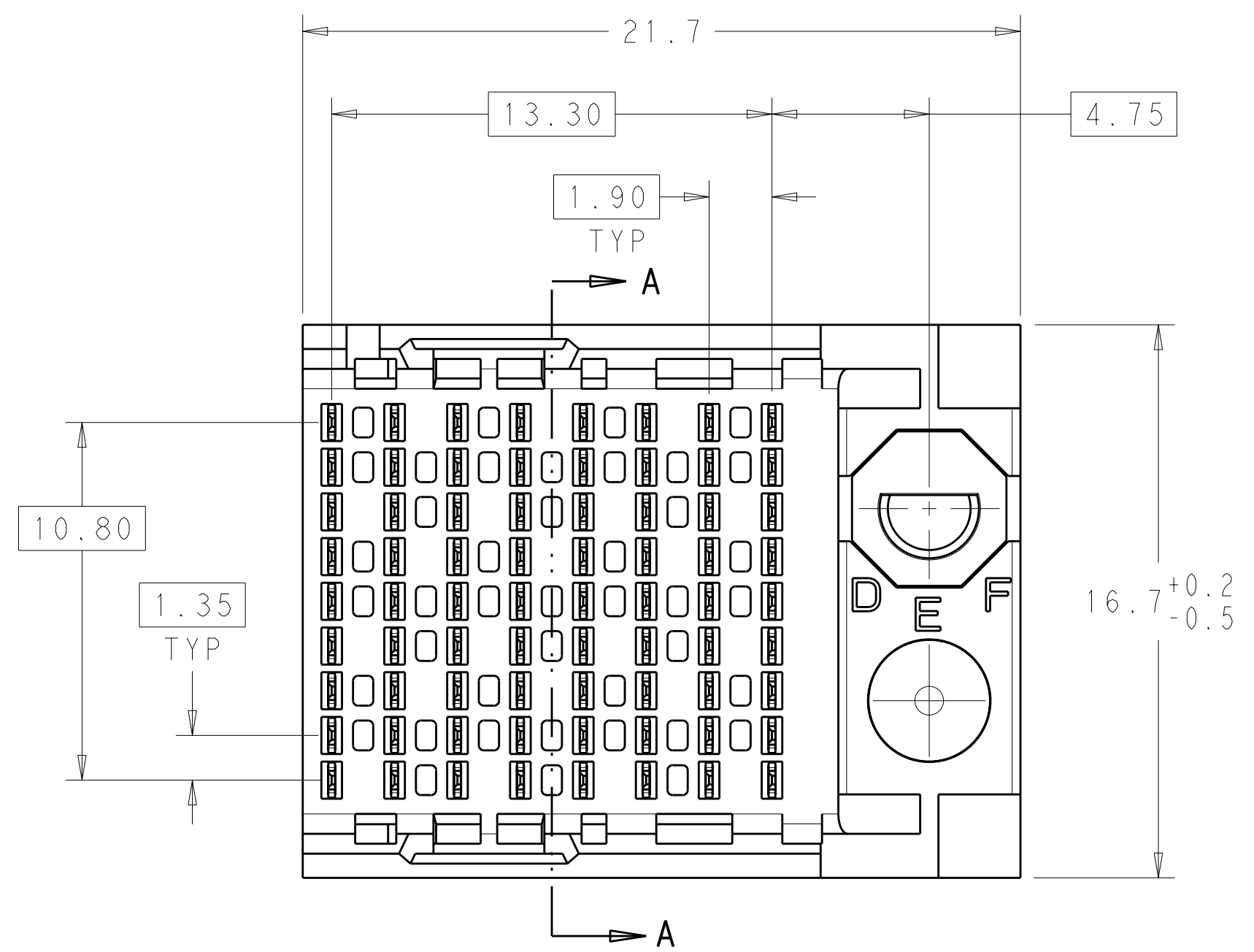
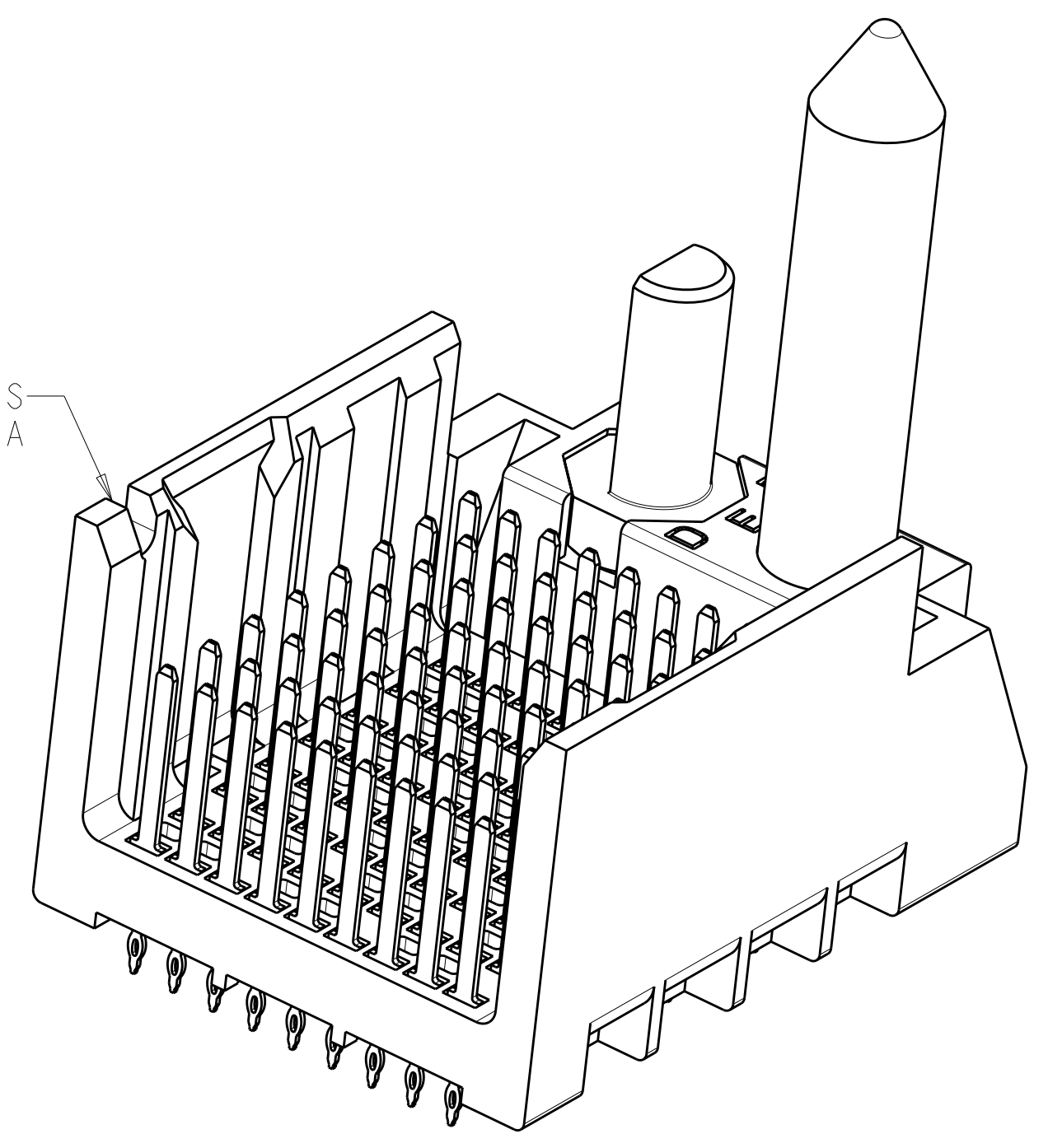


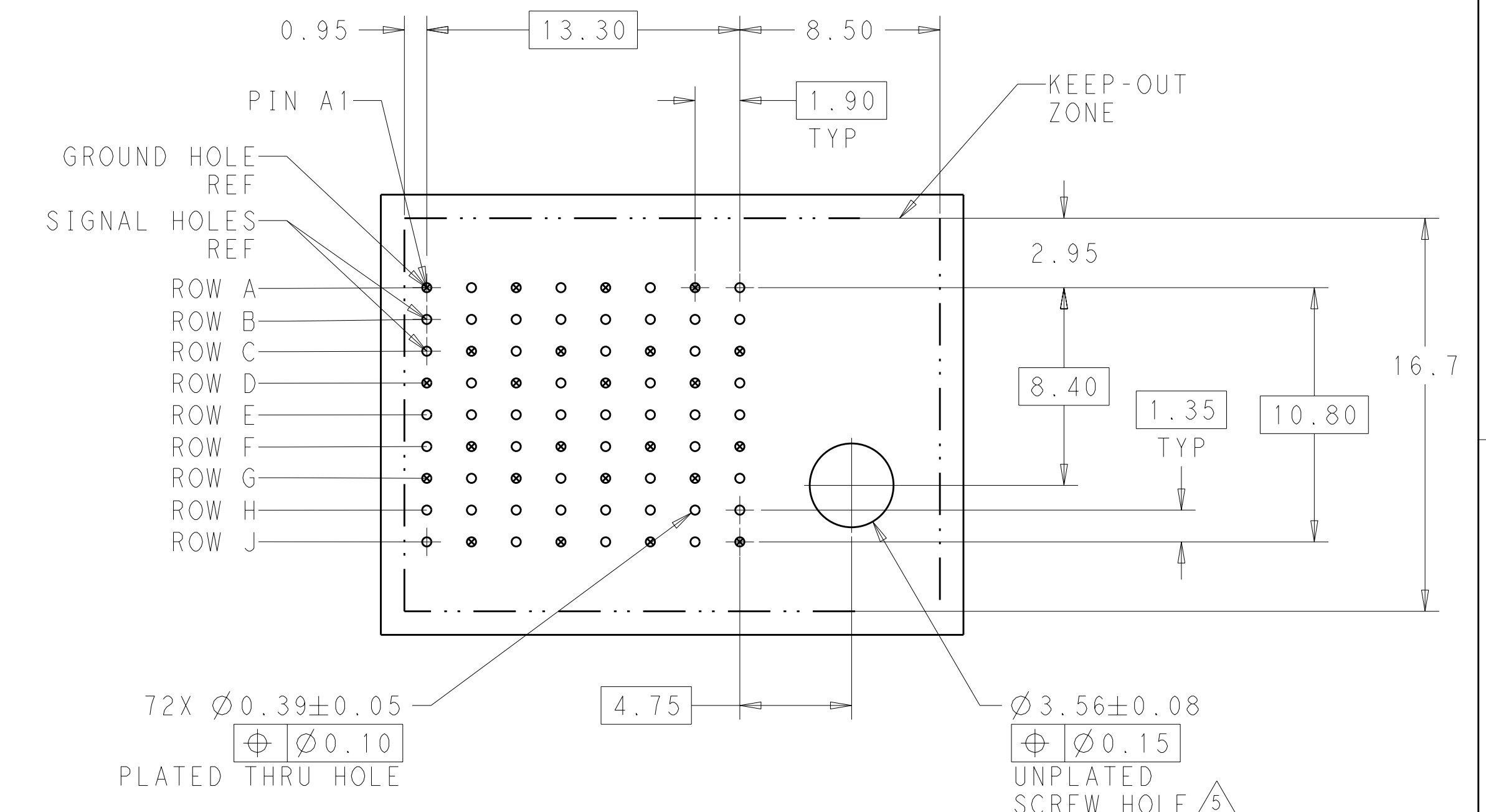
| LOC | DIST | REV | DATE | BY | APPD |
|-----|------|-----|---------|----|------|
| AD | 00 | C | 05JAN12 | KH | DY |



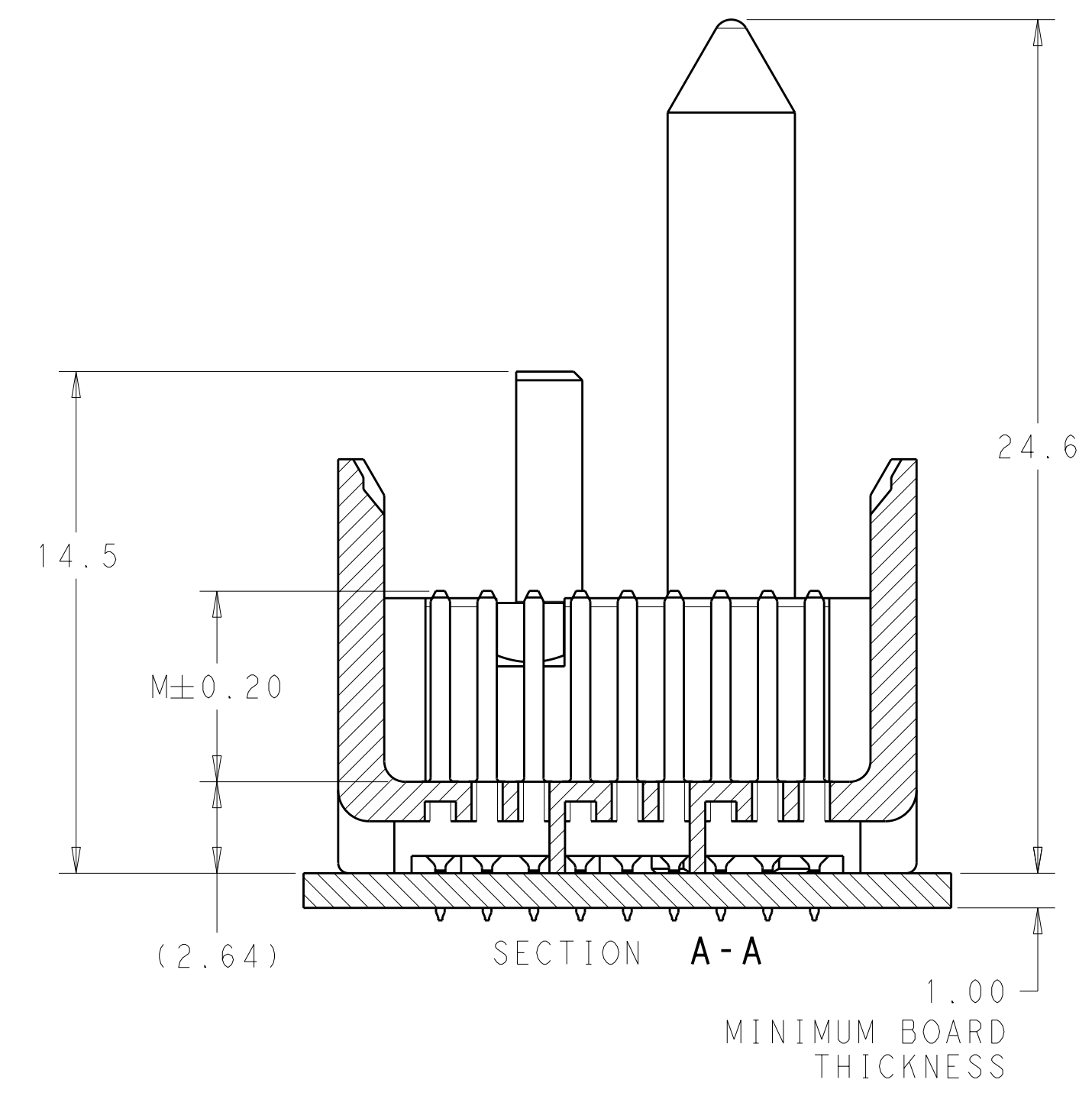
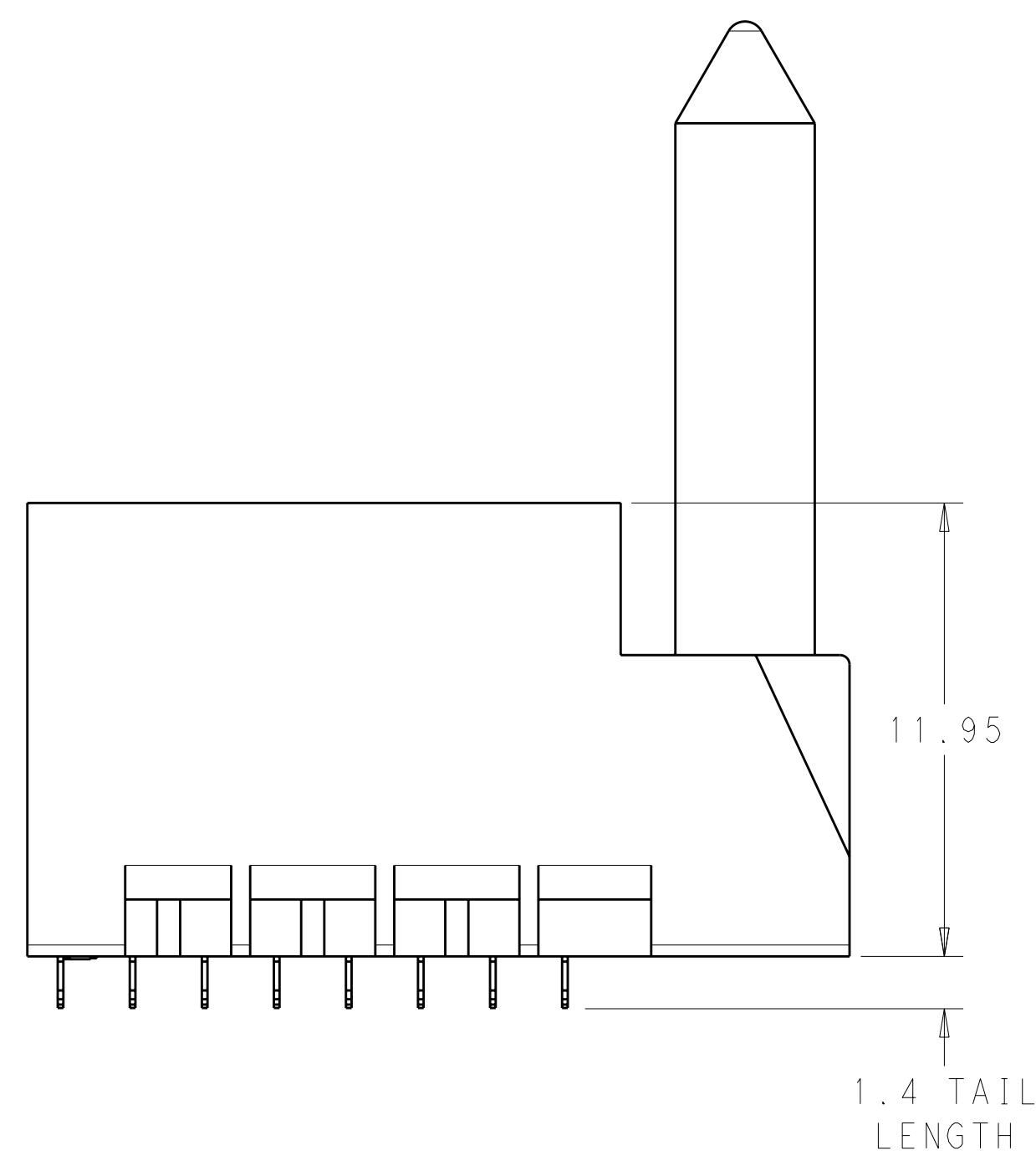
NOTCH DESIGNATES ROW A



- 1 MATERIAL:
HOUSING: LCP, GLASS FILLED, UL94V-0.
TERMINALS: HIGH PERFORMANCE COPPER ALLOY.
- 2 FINISH:
30µ" MIN GOLD IN CONTACT AREA. SELECTIVE TIN ON PCB TAILS, NICKEL OVERALL.
- 3 FINISH:
30µ" MIN GOLD IN CONTACT AREA. SELECTIVE TIN-LEAD ON PCB TAILS, NICKEL OVERALL.
- 4. SCREWS PACKAGED IN END OF PACKAGING TUBE.
- 5 FOR GROUNDED GUIDE PIN USE $\varnothing 3.56 \pm 0.08$ PTH, $\varnothing 3.66$ DRILL, AND $\varnothing 6.5$ PAD.
- 6. KEYING PIN SHOWN IN POSITION A, SEE KEYING CHART ON SHEET 2 FOR OTHER POSITIONS.



RIGHT GUIDED BACKPLANE HOLE PATTERN (CONNECTOR SIDE)

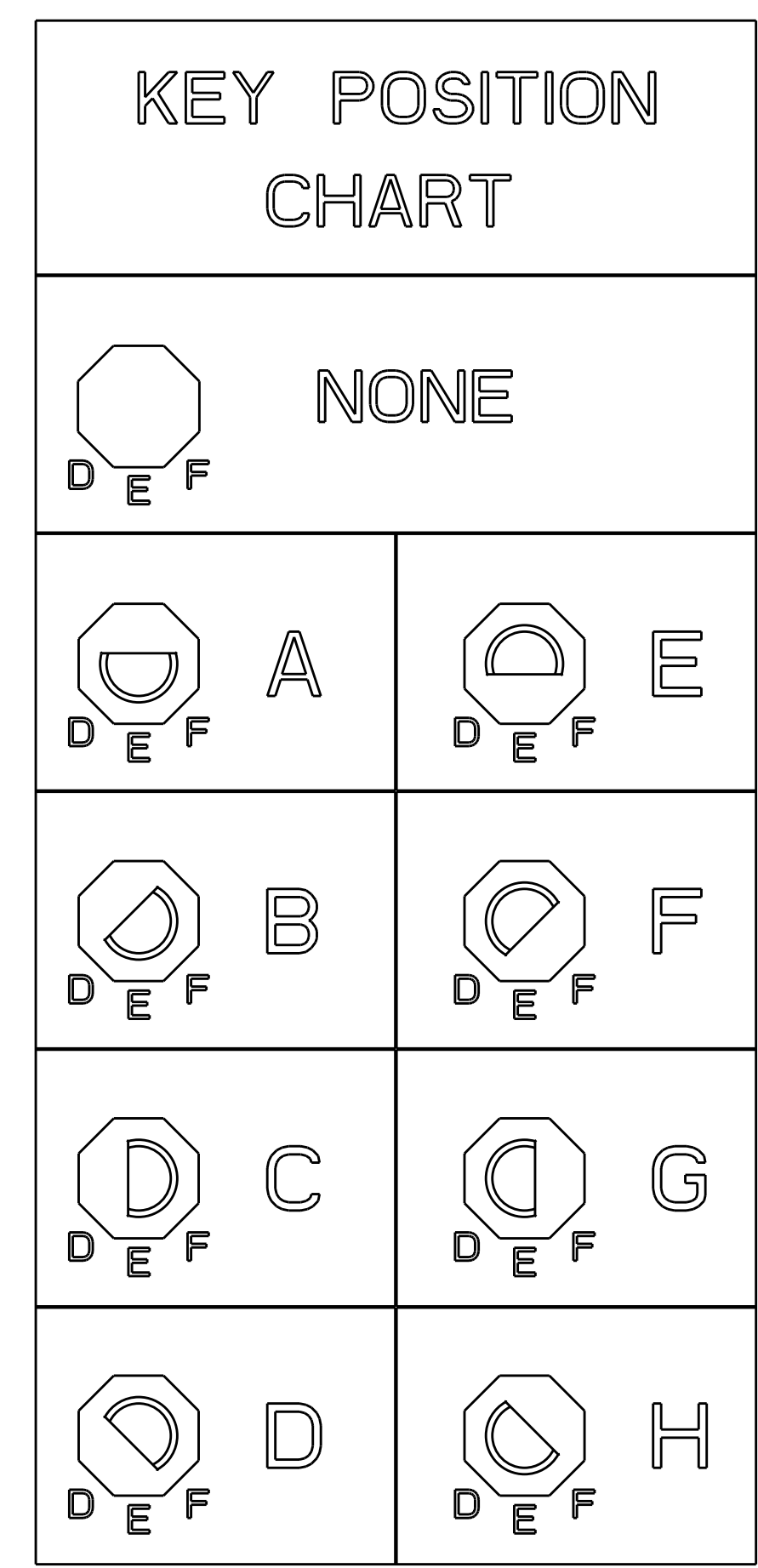


| | | | |
|--|-------------|----------------------------|---------------------------------------|
| THIS DRAWING IS A CONTROLLED DOCUMENT. | | DWN J. K. SHOBER 11JAN2011 | TE Connectivity |
| DIMENSIONS: mm | | CHK J. EABY 11JAN2011 | |
| TOLERANCES UNLESS OTHERWISE SPECIFIED: | | APVD J. EABY 11JAN2011 | NAME IMPACT, 3 PAIR, 8 COLUMN, HEADER |
| Ø | 9 PLC ±0.25 | PRODUCT SPEC | RIGHT GUIDED, OPEN END WALL |
| Ø | 1 PLC ±0.13 | APPLICATION SPEC | SIGNAL MODULE, 0.39 PTH |
| Ø | 3 PLC ± | SIZE CAGE CODE DRAWING NO | A100779C=2057757 |
| Ø | 4 PLC ± | RESTRICTED TO | |
| Ø | 5 PLC ± | WEIGHT | |
| Ø | 6 PLC ± | CUSTOMER DRAWING | |
| Ø | 7 PLC ± | SCALE 6:1 | |
| Ø | 8 PLC ± | SHEET 1 OF 2 | |
| Ø | 9 PLC ± | REV C | |

| LOC | | DIST | | REVISIONS | | | |
|-----|----|------|-----|-------------|------|-----|------|
| AD | 00 | P | LTB | DESCRIPTION | DATE | DWN | APVD |
| | | | | SEE SHEET 1 | | | |
| | | | | | | | |
| | | | | | | | |

| | | | |
|--------|--------------|-------|-------------|
| 3 | H | 5.5 | 8-2057757-6 |
| 3 | H | 4.9 | 8-2057757-5 |
| 3 | H | 4.5 | 8-2057757-4 |
| 2 | H | 5.5 | 8-2057757-3 |
| 2 | H | 4.9 | 8-2057757-2 |
| 2 | H | 4.5 | 8-2057757-1 |
| 3 | G | 5.5 | 7-2057757-6 |
| 3 | G | 4.9 | 7-2057757-5 |
| 3 | G | 4.5 | 7-2057757-4 |
| 2 | G | 5.5 | 7-2057757-3 |
| 2 | G | 4.9 | 7-2057757-2 |
| 2 | G | 4.5 | 7-2057757-1 |
| 3 | F | 5.5 | 6-2057757-6 |
| 3 | F | 4.9 | 6-2057757-5 |
| 3 | F | 4.5 | 6-2057757-4 |
| 2 | F | 5.5 | 6-2057757-3 |
| 2 | F | 4.9 | 6-2057757-2 |
| 2 | F | 4.5 | 6-2057757-1 |
| 3 | E | 5.5 | 5-2057757-6 |
| 3 | E | 4.9 | 5-2057757-5 |
| 3 | E | 4.5 | 5-2057757-4 |
| 2 | E | 5.5 | 5-2057757-3 |
| 2 | E | 4.9 | 5-2057757-2 |
| 2 | E | 4.5 | 5-2057757-1 |
| 3 | D | 5.5 | 4-2057757-6 |
| 3 | D | 4.9 | 4-2057757-5 |
| 3 | D | 4.5 | 4-2057757-4 |
| 2 | D | 5.5 | 4-2057757-3 |
| 2 | D | 4.9 | 4-2057757-2 |
| 2 | D | 4.5 | 4-2057757-1 |
| 3 | C | 5.5 | 3-2057757-6 |
| 3 | C | 4.9 | 3-2057757-5 |
| 3 | C | 4.5 | 3-2057757-4 |
| 2 | C | 5.5 | 3-2057757-3 |
| 2 | C | 4.9 | 3-2057757-2 |
| 2 | C | 4.5 | 3-2057757-1 |
| 3 | B | 5.5 | 2-2057757-6 |
| 3 | B | 4.9 | 2-2057757-5 |
| 3 | B | 4.5 | 2-2057757-4 |
| 2 | B | 5.5 | 2-2057757-3 |
| 2 | B | 4.9 | 2-2057757-2 |
| 2 | B | 4.5 | 2-2057757-1 |
| 3 | A | 5.5 | 1-2057757-6 |
| 3 | A | 4.9 | 1-2057757-5 |
| 3 | A | 4.5 | 1-2057757-4 |
| 2 | A | 5.5 | 1-2057757-3 |
| 2 | A | 4.9 | 1-2057757-2 |
| 2 | A | 4.5 | 1-2057757-1 |
| 3 | - | 5.5 | 2057757-6 |
| 3 | - | 4.9 | 2057757-5 |
| 3 | - | 4.5 | 2057757-4 |
| 2 | - | 5.5 | 2057757-3 |
| 2 | - | 4.9 | 2057757-2 |
| 2 | - | 4.5 | 2057757-1 |
| FINISH | KEY POSITION | DIM M | PART NUMBER |

REFER TO WWW.TE.COM FOR PRODUCT AVAILABILITY



| | | | |
|--|--|----------------------------|--|
| THIS DRAWING IS A CONTROLLED DOCUMENT. | | DWN J. K. SHOBER 11JAN2011 | STE TE Connectivity |
| DIMENSIONS: mm | | CHK J. EARY 11JAN2011 | |
| TOLERANCES UNLESS OTHERWISE SPECIFIED: | | APVD J. EARY 11JAN2011 | NAME: IMPACT, 3 PAIR, 8 COLUMN, HEADER RIGHT GUIDED, OPEN END WALL SIGNAL MODULE, 0.39 PTH |
| 9 PLC ±0.25 | | PRODUCT SPEC | |
| 3 PLC ±0.13 | | APPLICATION SPEC | SIZE CAGE CODE DRAWING NO RESTRICTED TO |
| 5 PLC ± | | WEIGHT | A100779C=2057757 |
| 4 PLC ± | | CUSTOMER DRAWING | SCALE 5:1 SHEET 2 OF 2 REV C |
| ANGLES ± | | | |
| FINISH SEE TABLE | | | |