

Connector - SACC-M12MR-12SOL-PG 9-M SH - 1404412

Please be informed that the data shown in this PDF Document is generated from our Online Catalog. Please find the complete data in the user's documentation. Our General Terms of Use for Downloads are valid (<http://download.phoenixcontact.com>)

Connector, 12-position, shielded, Plug angled M12, A-coded, Solder connection, Knurl material: Zinc die-cast, nickel-plated, Cable gland Pg9, External cable diameter 6 mm ... 8 mm



Product Features

- ✓ Safe use in the field, thanks to a high degree of protection
- ✓ Flexible: connectors for on-site assembly
- ✓ Save space – with high-pos. connectors
- ✓ Reliable signal transmission - 360° shielding in environments with electromagnetic interference



Key commercial data

Packing unit	1 PCE
GTIN	 4 046356 693851
Custom tariff number	85366990
Country of origin	GERMANY

Technical data

Dimensions

External diameter	6 mm ... 8 mm
-------------------	---------------

Ambient conditions

Ambient temperature (operation)	-40 °C ... 85 °C (Plug / socket)
Degree of protection	IP67

General

Rated current at 40°C	1 A
Rated voltage	30 V
Number of positions	12

Connector - SACC-M12MR-12SOL-PG 9-M SH - 1404412

Technical data

General

Contact resistance	≤ 3 mΩ
Insulation resistance	> 10 GΩ
Coding	A - standard
Standards/regulations	M12 connector IEC 61076-2-101
Signal type/category	Universal
Status display	No
Surge voltage category	II
Pollution degree	3
Connection method	Solder connection
Conductor cross section	0.08 mm ² ... 0.25 mm ²
AWG conductor cross section	30 ... 24
Insertion/withdrawal cycles	≥ 100
Torque	0.4 Nm (M12 knurl)
Assembly instructions	The connector pin assignment can be rotated 90° to the cable outlet

Material

Contact material	CuSn
Contact surface material	Au
Contact carrier material	PA
Material of grip body	Zinc die-cast, nickel-plated
Material, knurls	Zinc die-cast, nickel-plated

Classifications

ETIM

ETIM 3.0	EC002062
ETIM 4.0	EC002062
ETIM 5.0	EC002062

UNSPSC

UNSPSC 11	39121413
UNSPSC 12.01	39121413
UNSPSC 13.2	39121413
UNSPSC 6.01	30211824
UNSPSC 7.0901	39121413

eCl@ss

eCl@ss 4.0	27140815
------------	----------

Connector - SACC-M12MR-12SOL-PG 9-M SH - 1404412

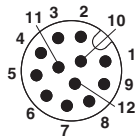
Classifications

eCl@ss

eCl@ss 4.1	27140815
eCl@ss 5.0	27143423
eCl@ss 5.1	27143423
eCl@ss 6.0	27279221
eCl@ss 7.0	27440104
eCl@ss 8.0	27440104

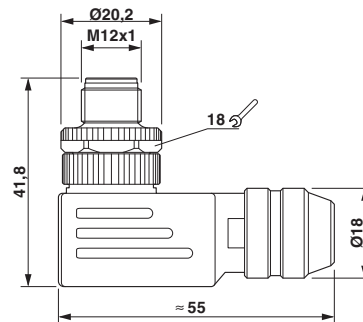
Drawings

Schematic diagram



Pin assignment of M12 male connector, 12-pos., A-coded, view of pin side

Dimensioned drawing



M12 x 1 male plug, angled, shielded