

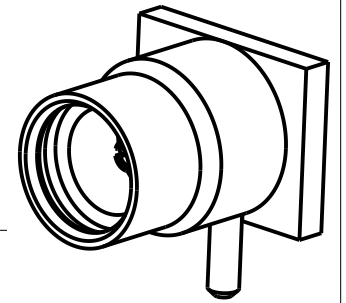
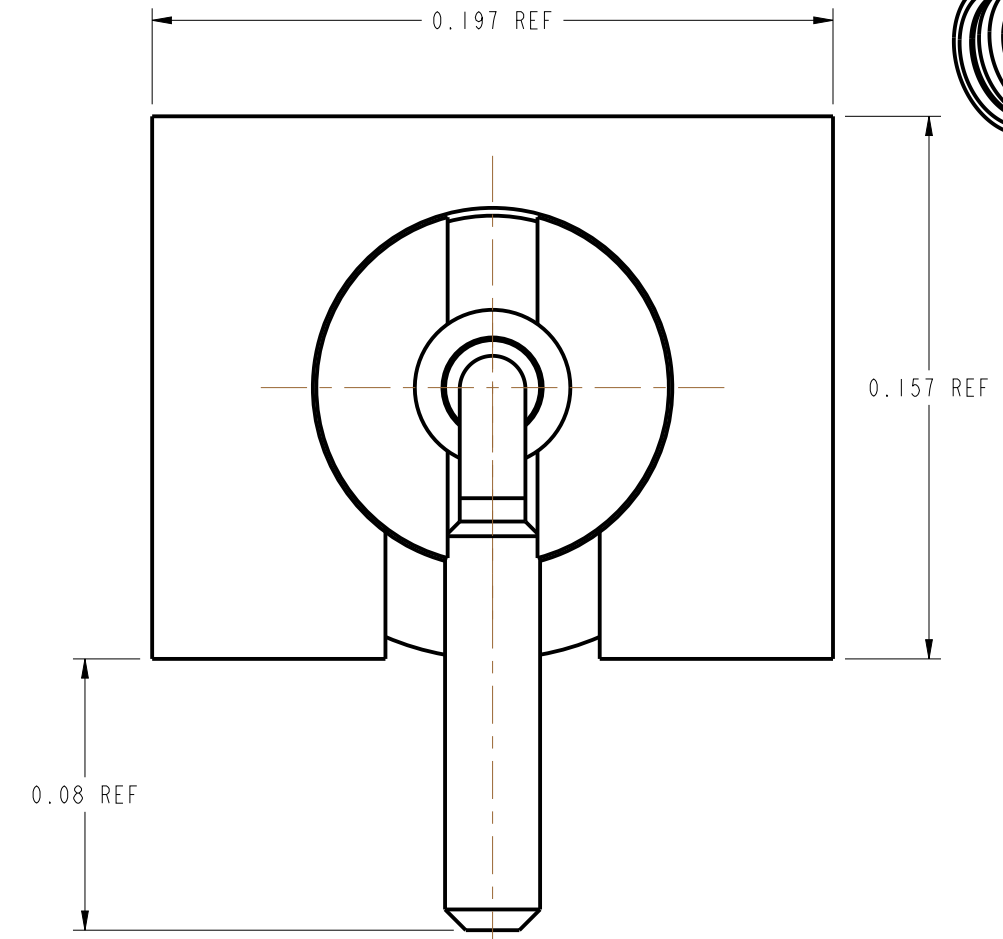
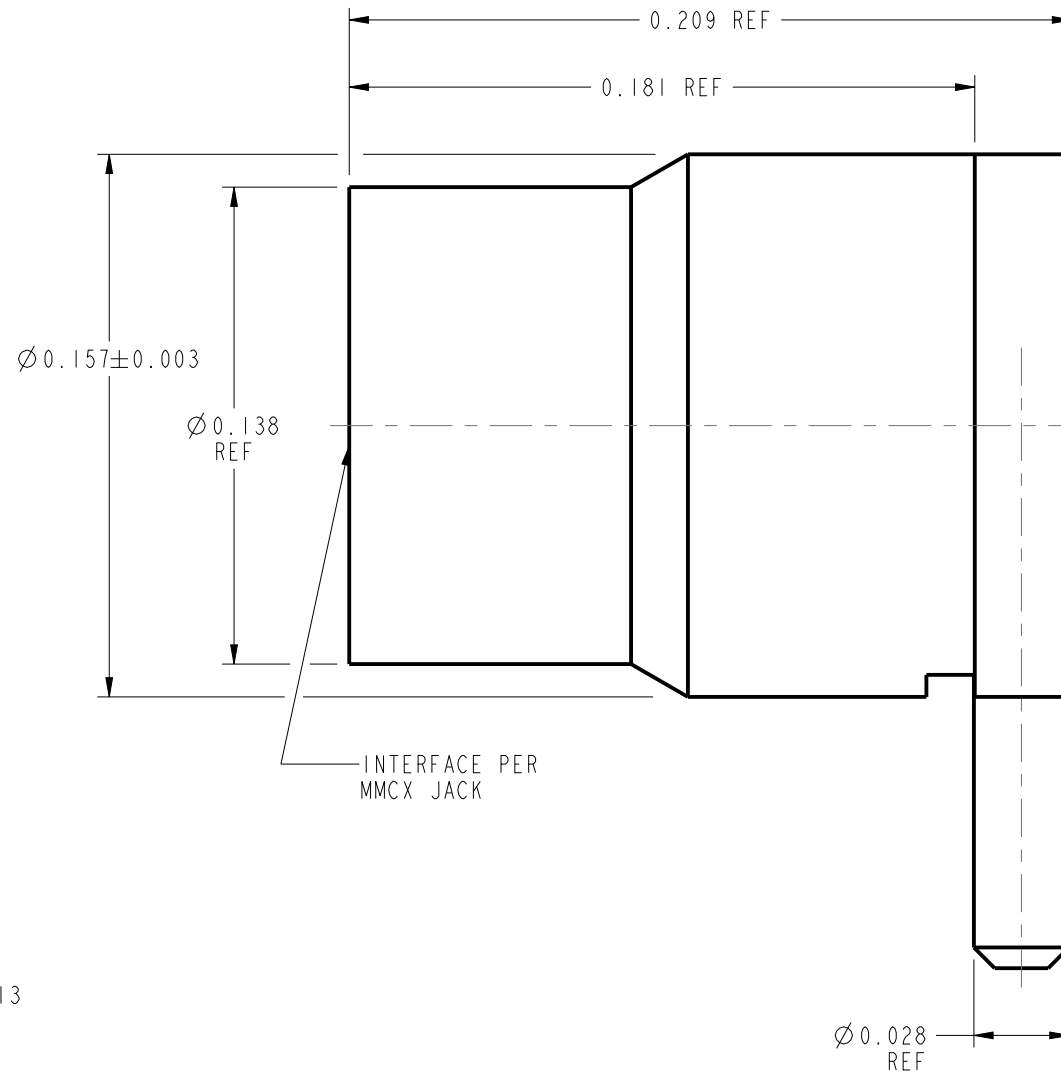
NOTES:

1. MATERIALS AND FINISHES:  
 BODY & CONTACT - BeCu, GOLD PLATING,  
 INSULATOR - PTFE, NATURAL
2. ELECTRICAL:  
 A. IMPEDANCE: 50 OHM  
 B. FREQUENCY RANGE: DC - 6 GHz
3. MECHANICAL:  
 A. DURABILITY: 500 CYCLES MIN.  
 B. TEMPERATURE RANGE: -65° C TO +165° C
4. PACKAGING:  
 A. QUANTITY: SINGLE PACK  
 B. MARKING:  
 AMPHENOL RF  
 908-NM22109  
 DATE CODE

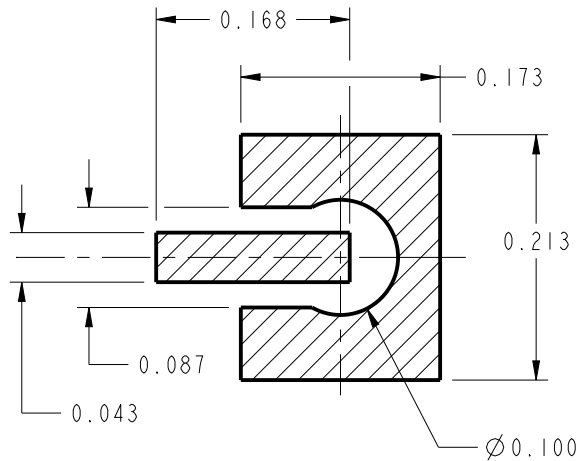
THIRD ANGLE PROJ.

REVISIONS

REV	DESCRIPTION	DATE	ECO	APPR
A	RELEASE TO MFG	08-May-09	47457	CL
B	IMPROVED MATING FORCES	27-Aug-12	49216	DD
C	FORMAT UPDATED & 0.168 ADDED IN PCB LAYOUT DOCUMENTATION CHANGE ON SHEET 1	27-Dec-16	2783	BMG



SCALE 6.000



**RECOMMENDED PCB LAYOUT  
(TOP MOUNT)**

**NON-MAGNETIC**

**CUSTOMER OUTLINE DRAWING  
ALL OTHER SHEETS ARE FOR INTERNAL USE ONLY**

UNLESS OTHERWISE SPECIFIED, DIMENSIONS ARE IN INCHES AND TOLERANCES ARE: 2 PLACE DECIMAL 3 PLACE DECIMAL ANGLES ±.015 (0,381 mm) ±.005 (0,127 mm) ± 1°	MATERIAL	DRAWN	DATE	TITLE MMCX STR JACK PCB SMT REAR MOUNT OR TOP MOUNT SCALE: 15.0:1.0 SHEET 2 OF 2		Amphenol RF www.amphenolrf.com	
	SEE NOTES	NISCHIT MV	08-May-08				
NOTICE - These drawings, specifications, or other data (1) are, and remain the property of Amphenol corp. (2) must be returned upon request; and (3) are confidential and not to be disclosed to any person other than those to whom they are given by Amphenol Corp. the furnishing of these drawings, specifications, or other data by Amphenol Corp., or to any other person to anyone for any purpose is not to be regarded by implication or otherwise in any manner licensing, granting rights to permitting such holder or any other person to manufacture, use or sell any product, process or design, patented or otherwise, that may in any way be related to or disclosed by said drawings, specifications, or other data.	REFERENCE	ENGINEER	DATE	DRAWING NO. 908-NM22109 ITEM NO. 908-NM22109		PART NO. 908-NM22109	
	GEN# ASSYF11.MMCX EAR# 1293 615X-1740-100	NISCHIT MV	08-May-08				
	FINISH	APPROVED	DATE				
		K. CAPOZZI	06-Jan-17	DWG SIZE	REV		
				B	C		