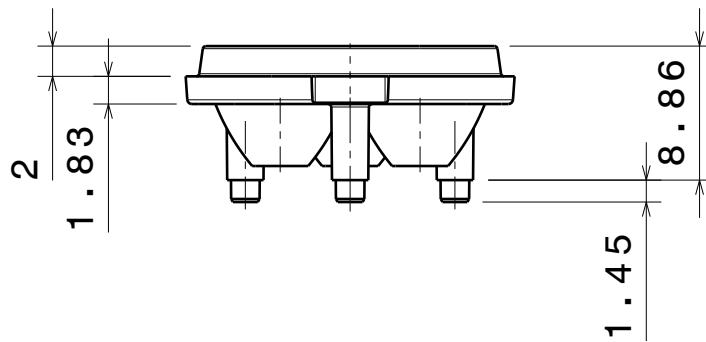
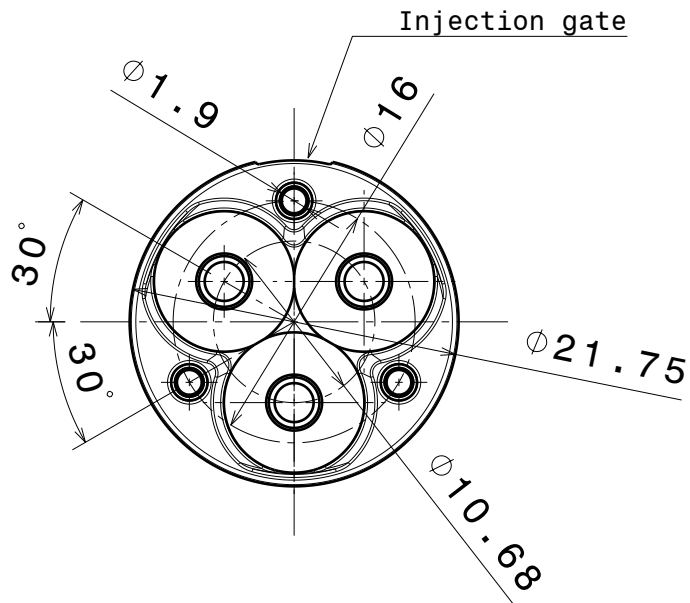
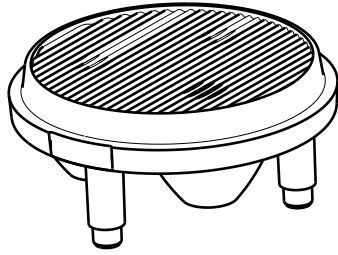


D

C

B

A



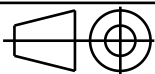
INDEX	PART NO	DESCRIPTION	MATERIAL	COLOUR
1	C13297	SATU-0	PMMA	

Tolerances if not otherwise shown
According to DIN ISO 2768-1
Linear measures:
Up to 30mm class M, otherwise class C.
According to DIN ISO 2768-2
Form and position: class L

LEDiL

Ledil Oy
Salorankatu 10
FIN 24240 SALO
Finland

THIRD ANGLE PROJECTION:



DRAWING TITLE

C13297_SATU-0

This drawing is the property
of LEDiL Oy. It may not be
reproduced, copied or
communicated without a written
agreement with LEDiL Oy."

SIZE PART NUMBER

A4

C13297

SCALE	2:1	WEIGHT	2 g	SHEET	1/1
-------	-----	--------	-----	-------	-----

D

A