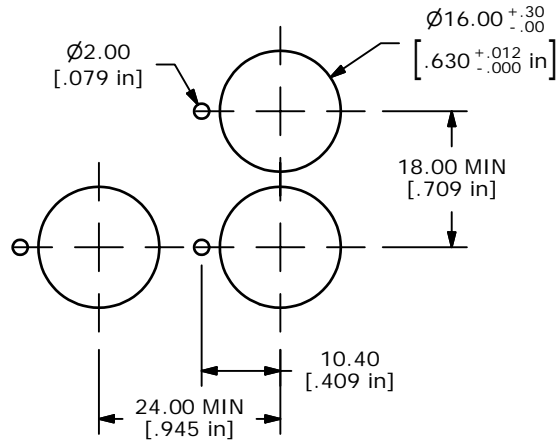
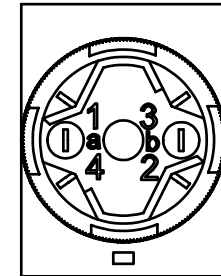
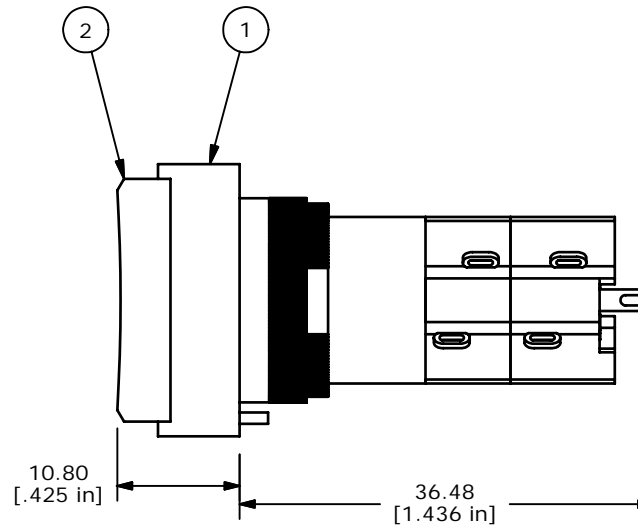
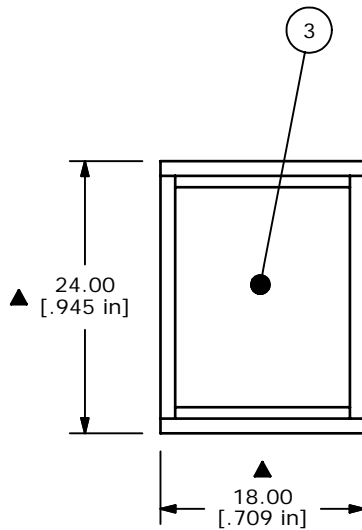
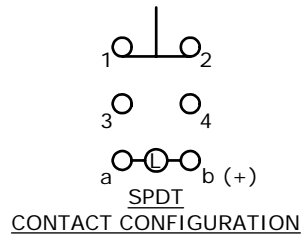


PARTS LIST

ITEM	QTY	PART NUMBER	DESCRIPTION
1	1	F040023	D16EET12
2	1	F050205	50-002-05 WHITE TRANSPARENT RECTANGULAR
3	1	F050402	50-004-02 6V AC/DC 200mA INCANDESCENT



PANEL MOUNTING



NOTE:

1. ALL DIMENSIONS IN MM [INCH]
2. GENERAL TOLERANCE: X.X=±0.4  
X.XX=±0.25
3. TERMINAL NUMBERS FOR REF ONLY
4. MECHANICAL LIFE: 2,000,000 OPERATIONS
5. INSULATION RESISTANCE: 1,000 MILLI-OHM MIN.
6. OPERATING TEMP.: -25°C to 55°C
- ▲ 7. LAMP VOLTAGE: 6V AC/DC INCANDESCENT
8. ▲ DENOTES CRITICAL PARAMETER.

**E-SWITCH®**

A	16042	RELEASED FOR PRODUCTION	5/18/06	CT
REV	PCR NO	DESCRIPTION	DATE	BY

TITLE D16EET12AWHT				
SCALE	DATE	DR	DWG	REV
1.5:1	5/18/2006	CT	XF0675P	A

THE INFORMATION CONTAINED IN THIS DOCUMENT IS PROPRIETARY TO E-SWITCH AND IS NOT TO BE COPIED OR TRANSFERRED