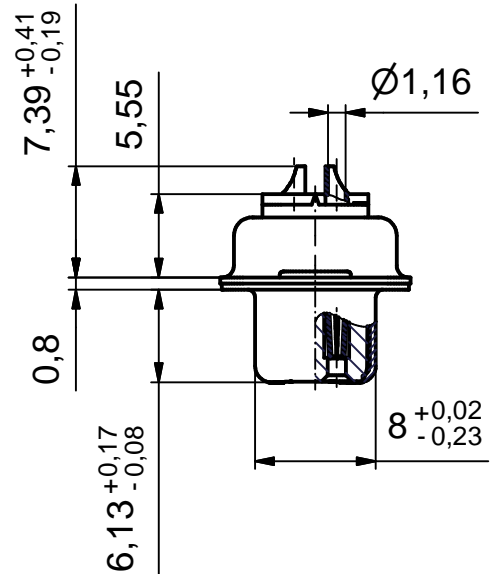


SEE NOTE 4



Directive 2002/95/EC  
"RoHS"  
Compliant

APPROVAL # FREIGABE # DEBLOCAGE # AUTORIZACION # APPROVAL	
CUSTOMER APPROVAL DATE:	
NAME:	TITLE:
COMPANY NAME:	
APPROVAL # FREIGABE # DEBLOCAGE # AUTORIZACION # APPROVAL	

NOTES:

1. METALSHELLS: COPPER ALLOY; min. 315µm TIN over 40-80µm NICKEL
2. INSULATORS: PBT GF UL 94 V-0, BLACK
3. CONTACTS: COPPER ALLOY  
PLATING: 8µm HARD GOLD over min. 50µm NICKEL  
SOLDER CUP ACCEPTS CABLE AWG 20
4. CONNECTOR IS PART MARKED: DSSNXSMAD01X CONEC ABC

THIS DRAWING MAY NOT BE COPIED OR REPRODUCED IN ANY WAY, AND MAY NOT BE PASSED ON TO A THIRD PARTY WITHOUT WRITTEN PERMISSION. OWNERSHIP AND COPYRIGHT OF CONEC GmbH

DO NOT ALTER CAD DRAWING BY HAND

				tolerance		scale:	2:1	
					dim. in mm	material:	SEE NOTES	
				date	name	title: <b>D-SUB FEMALE</b> 9pos. SOLDER CUP		
				drawn 10.02.09	Petker			
				appd. 10.02.09	Fischer			
				norm	DIN 41652			
				d-old		dwg no:	Inventor	DIN-A4
a	Origin						16K1A2449	sh: 1
rev.	description	date	name				part no:	DSSNXSMAD01X

