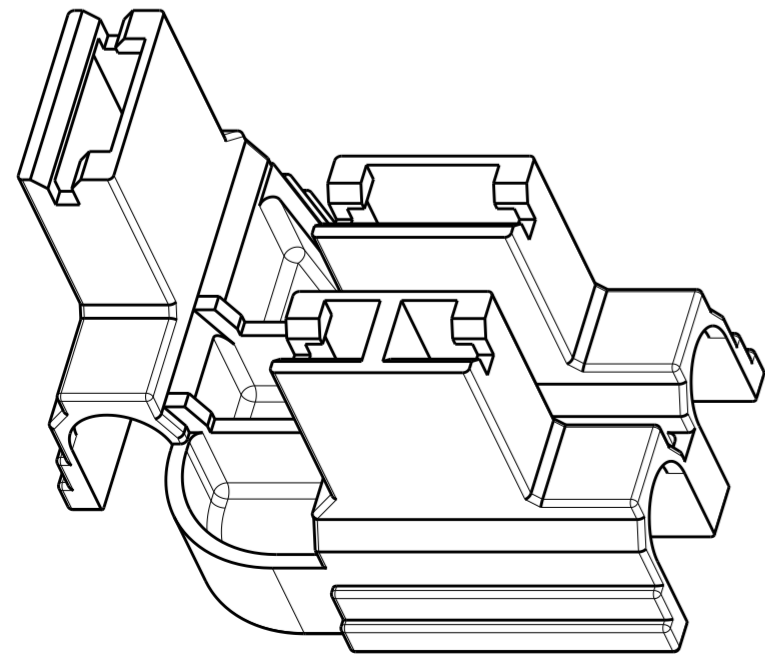
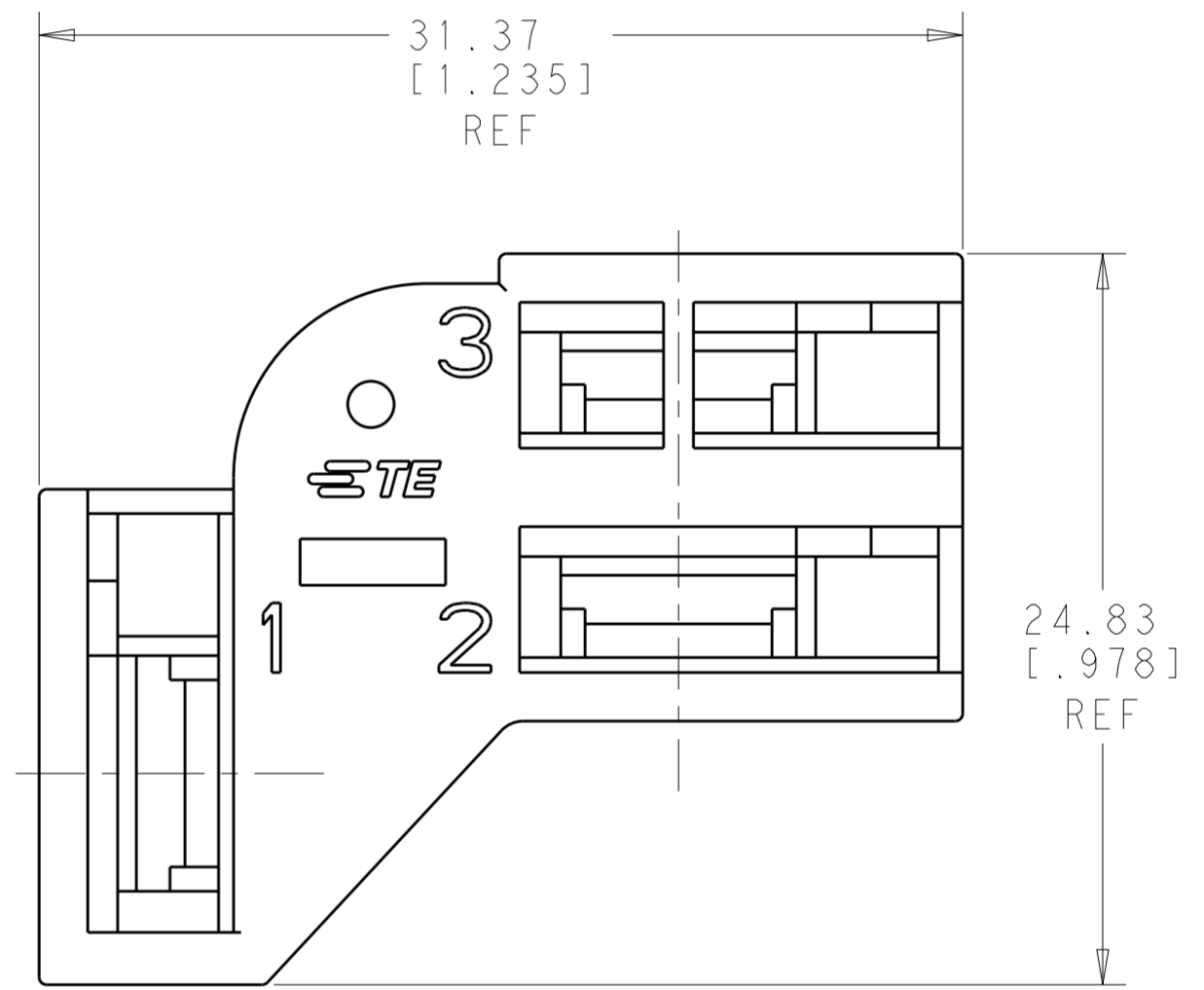
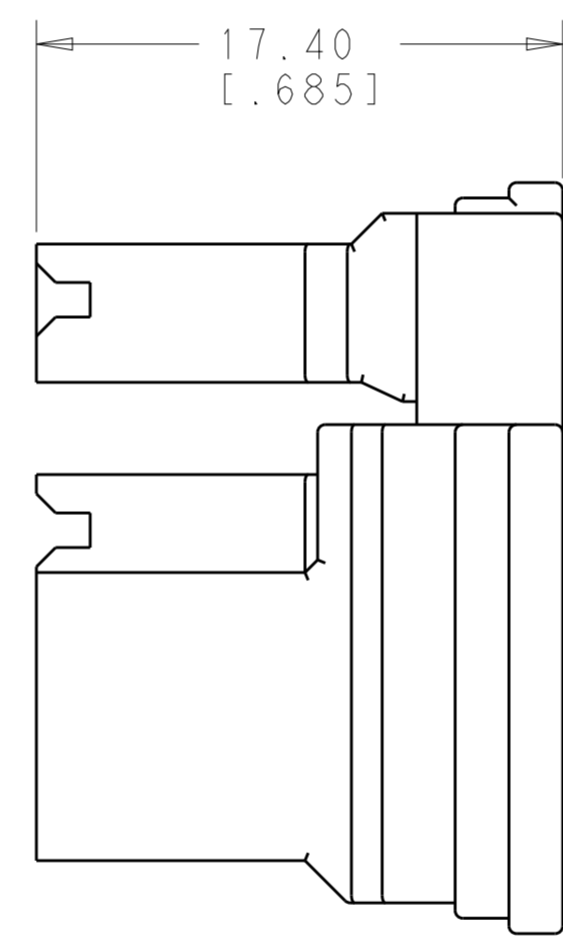
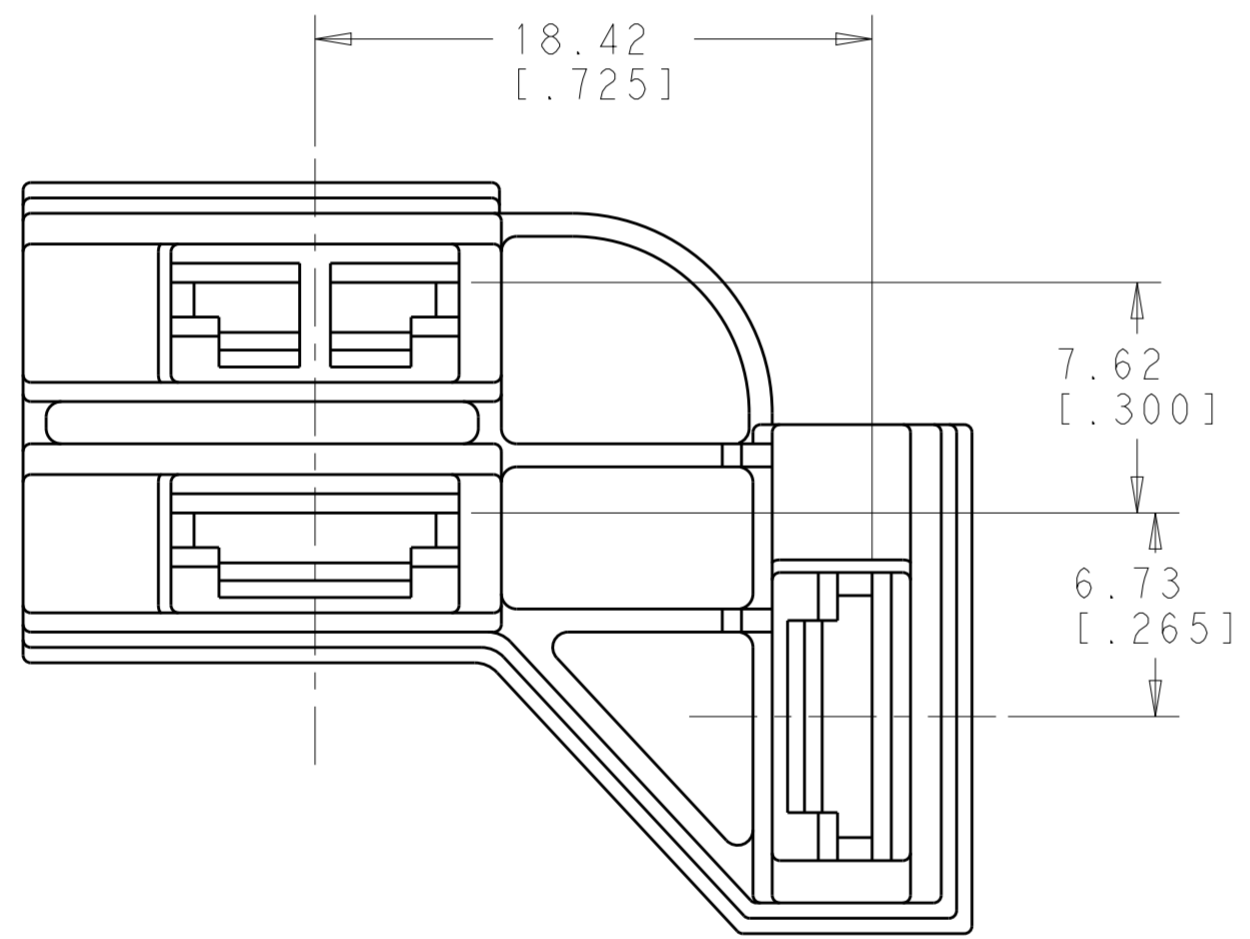
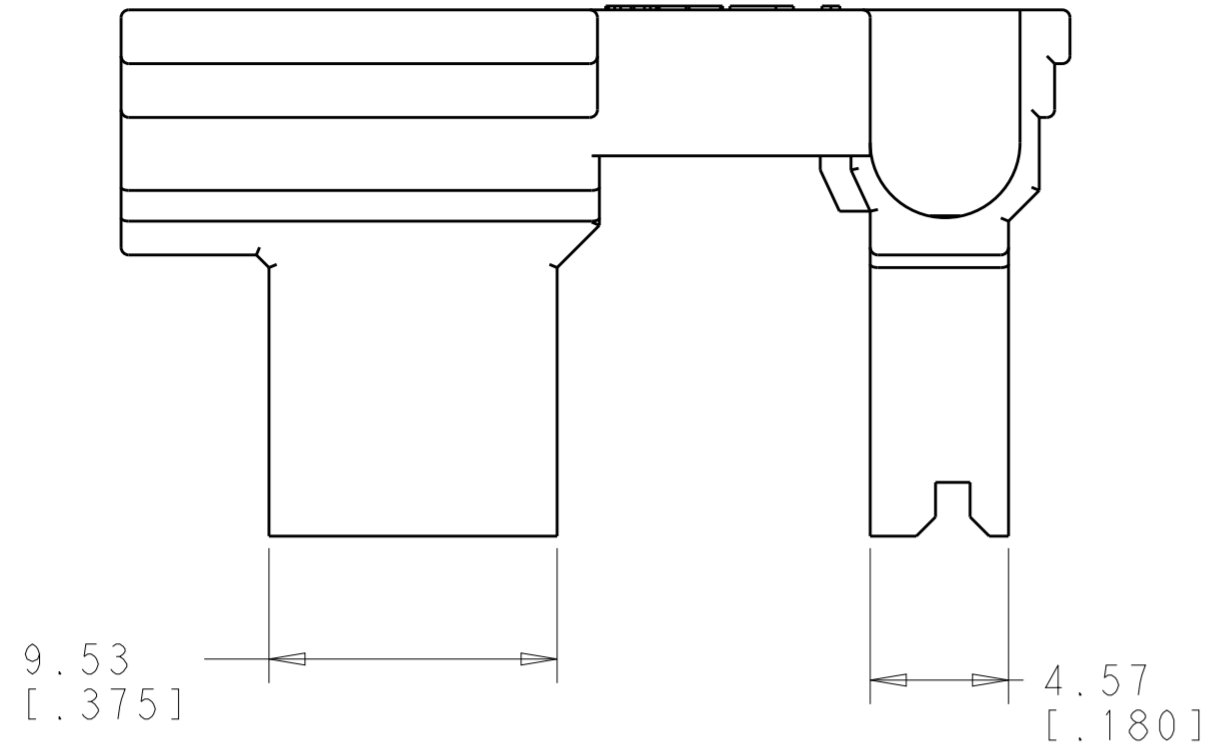


THIS DRAWING IS UNPUBLISHED. RELEASED FOR PUBLICATION 20  
 © COPYRIGHT 20 BY - ALL RIGHTS RESERVED.

REVISIONS					
P	LTR	DESCRIPTION	DATE	DWN	APVD
A		RELEASED	06MAY15	JR	DH
A1		REVISED PER ECR-15-008333	02JUNE15	PK	TD

- 1 THIS PART ACCEPTS TERMINAL 63009 OR 63963 18-14 GAUGE WIRE.
- 2 FOR PROPER ENGAGEMENT THE MATING TAB MUST HAVE A MIN OF .315 USEABLE LENGTH.
- △ PRELIMINARY PART NUMBER. NOT RELEASED FOR PRODUCTION



SCALE 3:1

△ 1969706-2
1969706-1
PART NO.

THIS DRAWING IS A CONTROLLED DOCUMENT.		DWN JR RUTH 17OCT14	<b>STE</b> TE Connectivity	
DIMENSIONS: mm [INCHES]		CHK DAVE HUMPHREY 17OCT14		
TOLERANCES UNLESS OTHERWISE SPECIFIED:		APVD DAVE HUMPHREY 17OCT14	NAME HOUSING, RECEPTACLE, FLAG FASTON, 6.35 [.250] SERIES, 2 POSITION	
0 PLC ±	1 PLC ±	PRODUCT SPEC	SIZE	CAGE CODE
2 PLC ±0.25 [.010]	3 PLC ±	APPLICATION SPEC	A200779	C-1969706
4 PLC ±	ANGLES ±	WEIGHT	RESTRICTED TO	
MATERIAL NYLON, V0 NO DRIP	FINISH COLOR-BLACK	Customer Drawing	SCALE 4:1	SHEET 1 OF 1