



PRODUCT DATASHEET

Rose series

last update 30/11/2015

DETAILS

Product Number	CA10560_OSS-2-SS
Family	Rose
Type	Assembly
Color	white
Diameter	21,6 + 21,6 mm
Height	13,9 mm
Style	square
Optic Material	PMMA
Holder Material	
Fastening	tape
Status	production ready
ROHS Compliant	Yes
Date Updated	30/11/2015



OPTICAL PROPERTIES

LED	Viewing Angle	Light Beam	Efficiency	cd/lm	Connector
Golden Dragon+	12 deg	Smooth spo...	92 %	16.000	-

D

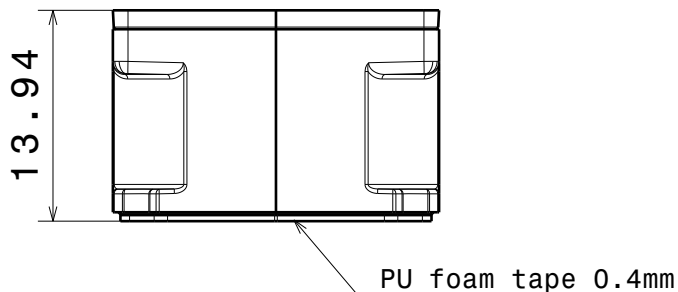
C

B

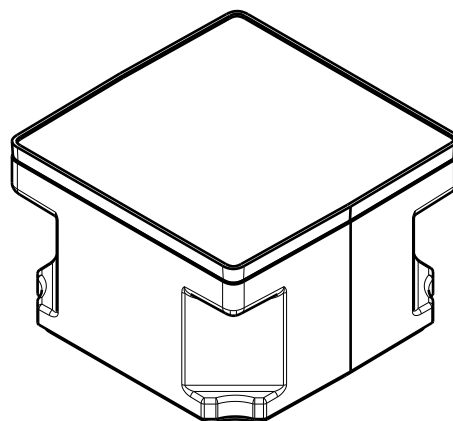
A

4

4

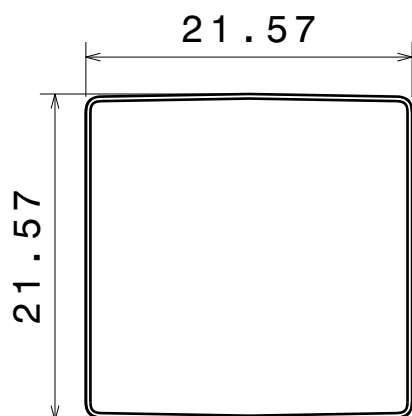


Front view

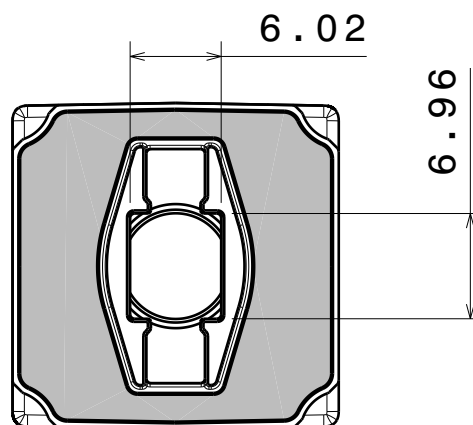
Isometric view
Scale: 2:1

3

3



Top view



Bottom view

2

2

INDEX	PART NO	DESCRIPTION	MATERIAL	COLOUR
1	C10346	ROSE-HLD	PC	white
2	C10519	ROSE2-SS	PMMA	

Tolerances if not otherwise shown
According to DIN ISO 2768-1
Linear measures:
up to 30mm class M, otherwise class C
According to DIN ISO 2768-2
Form and position: class L

LEDiL

Ledil Oy
Salorankatu 10
FIN 24240 SALO
Finland

THIRD ANGLE PROJECTION:



DRAWING TITLE

CA10560_OSS-2-SS

This drawing is the property
of LEDiL Oy. It may not be
reproduced, copied or
communicated without a written
agreement with LEDiL Oy.

SIZE

A4

PART NUMBER

CA10560

SCALE

1:1

WEIGHT

4,6 g

SHEET

1/1

1

1

D

A

NOTE: The typical divergence will be changed by different color, chip size and chip position tolerance. The typical total divergence is the full angle measured where the luminous intensity is half of the peak value.