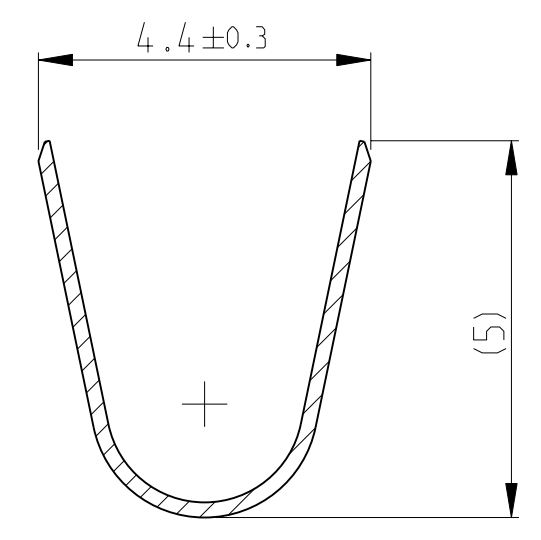
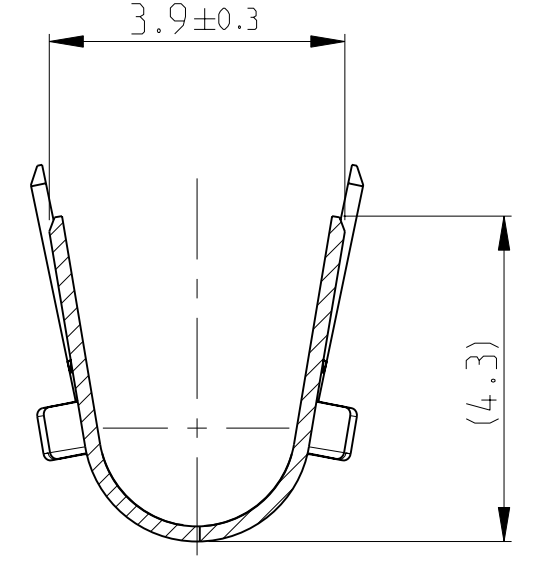


EGGMA09502

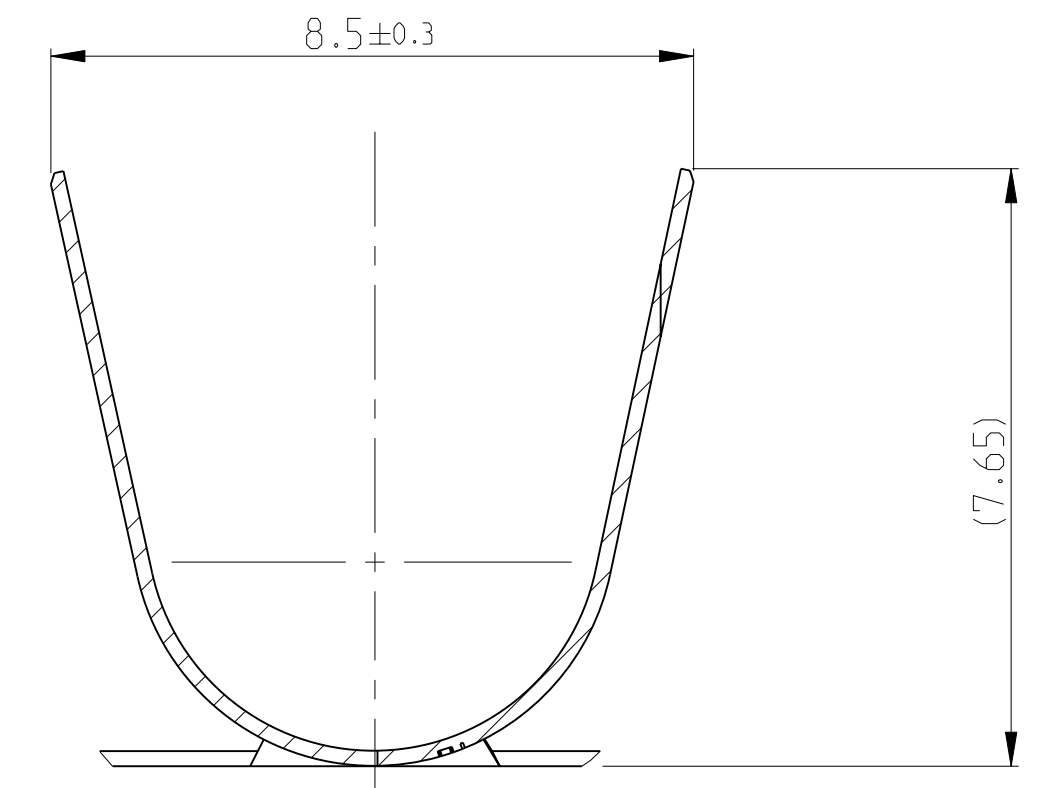
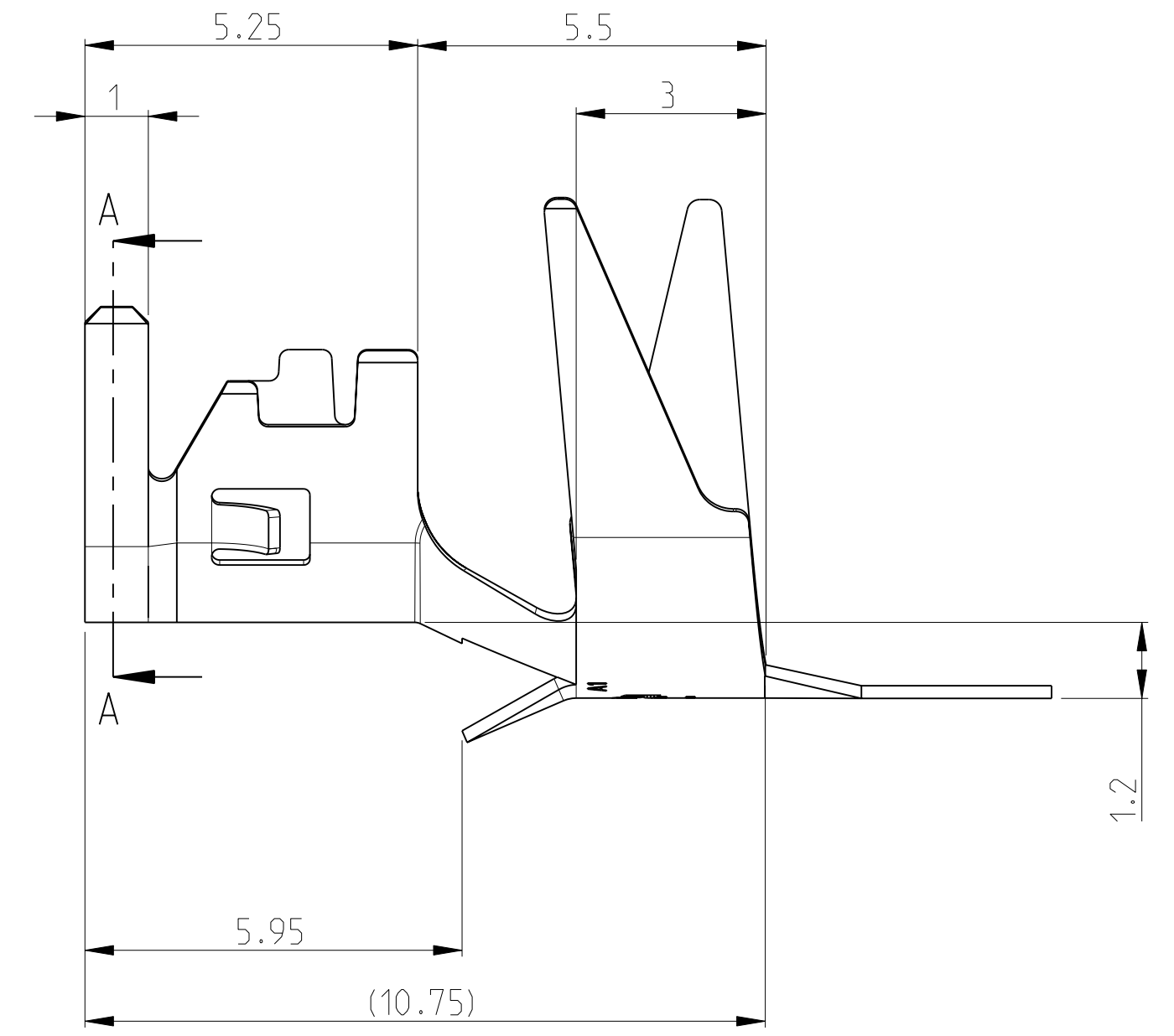
LOC	DIST	REVISIONS			
P	LTR	DESCRIPTION	DATE	DWN	APVD
A1	-	NEW DRAWING	27MAI2009	HA	WH
B1	-	STOP ADDED. CRIMPS EXTENDED (A-A, B-B)	22MAR2010	WH	BS
-	-	-	-	-	-



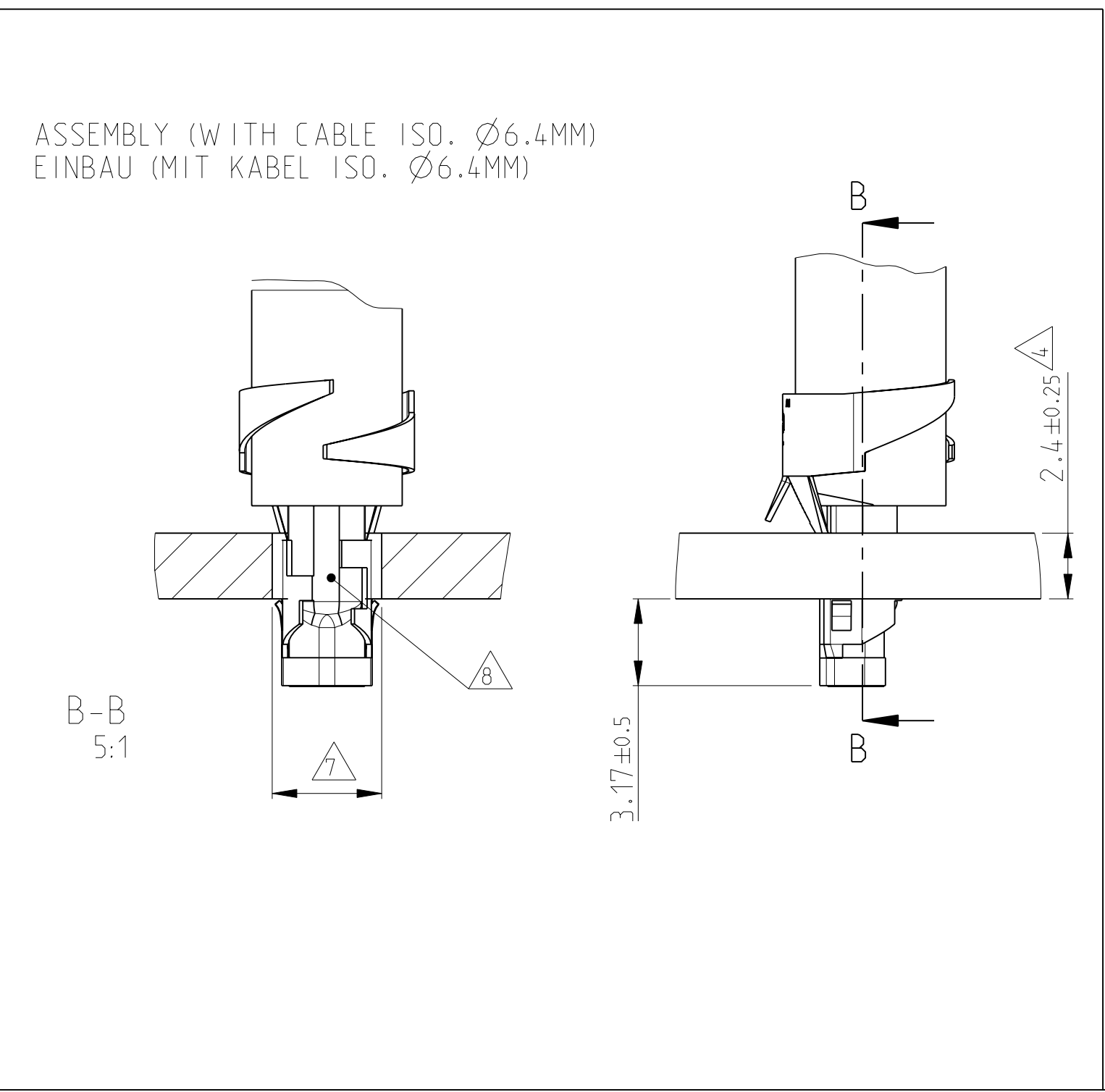
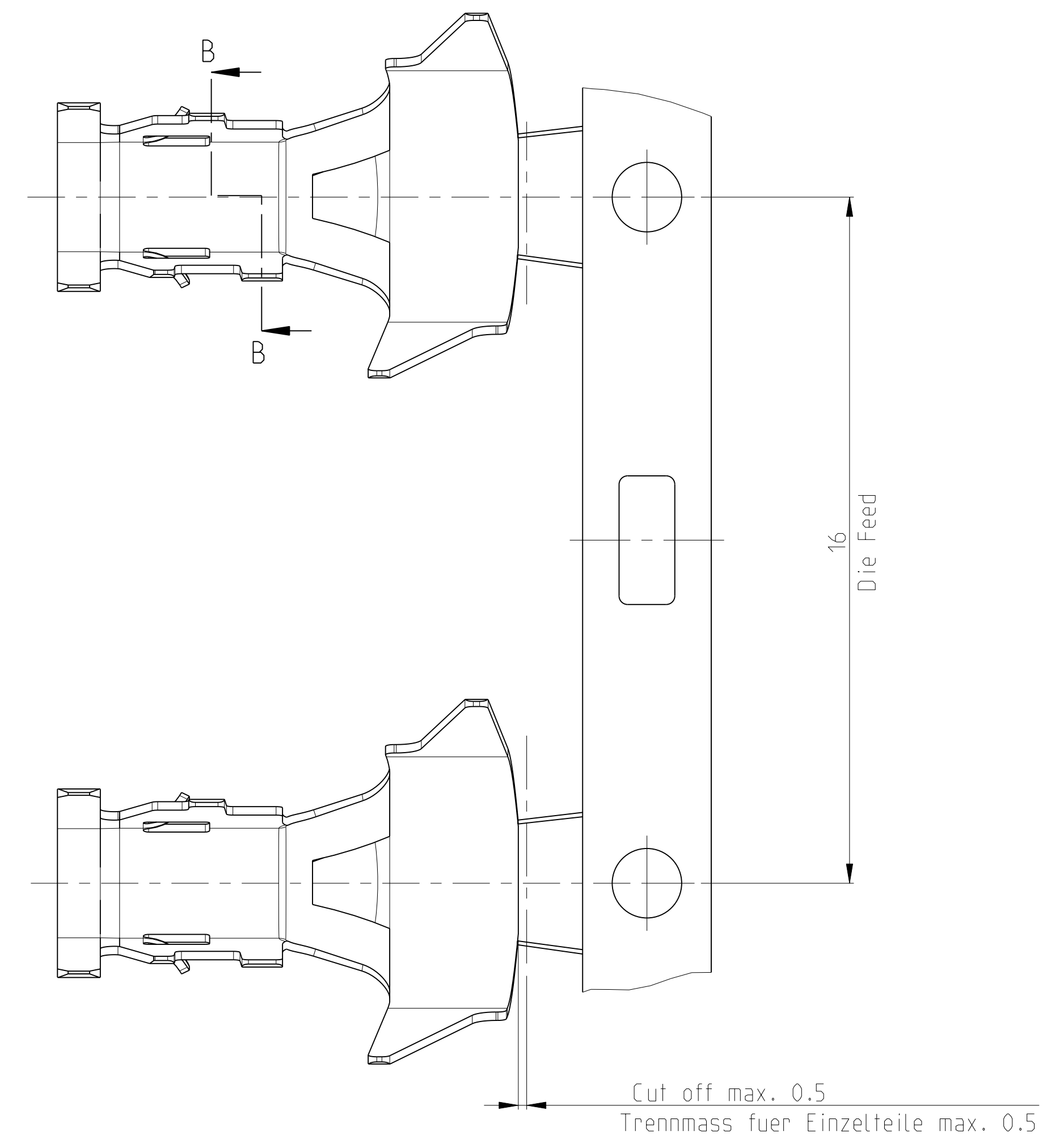
A-A



B-B



C-C



- 1 FOR WIRE SECTION 4 - 6 MM<sup>2</sup> AND ISOLATION Ø 4.35 - 6.4  
 Fuer Leitungsquerschnitt 4 - 6 mm<sup>2</sup> und Isolations Ø 4.35 - 6.4 mm
- 2 MATERIAL CuSn. PRE-TIN PLATED  
 Material CuSn. vorverzinkt
- 3 DELIVERED STATE: STRIP ON CORRUGATED REEL  
 Anlieferungszustand: Bandware auf Wellenpappenspule
- 4 PCB THICKNESS ACCORDING DIN EN 60249-2-4 TABLE 3  
 Leiterplattendicke nach DIN EN 60249-2-4 Tabelle 3
- 5 SOLDER FILLING ACCORDING IPC-A-610.6.3.1  
 REQUIREMENTS 100%; ACCEPTABLE 80%  
 Loeffuellung nach IPC-A-610.6.3.1  
 Vorgabe 100%; Akzeptabel 80%
- 6 MAX. 1 SPLICE PER REEL  
 SPLICE BE NOT BONDET TOGETHER  
 Max. 1 Trennstelle pro Spule  
 Trennstellen sind nicht miteinander verbunden
- 7 DIAMETERS FOR PCB HOLE; SEE APPLICATION SPECIFICATION 114-94001  
 Lochdurchmesser fuer Leiterplatte; siehe Verarbeitungsspezifikation 114-94001
- 8 APPLICATOR PN....  
 Anschlagwerkzeug PN.....

<small>THIS DRAWING IS UNPUBLISHED. RELEASED FOR PUBLICATION 2009. COPYRIGHT 2009 BY TYCO ELECTRONICS CORPORATION. ALL RIGHTS RESERVED.</small>		DWN: H.ATZMANN 27MAI2009 CHK: W.HOFFMANN 27MAI2009	Tyco Electronics AMP GmbH 64625 Bensheim (Germany)
DIMENSIONS: mm TOLERANCES UNLESS OTHERWISE SPECIFIED: 0 PLC ±0.2 1 PLC ±0.2 2 PLC ±0.2 3 PLC ±0.2 4 PLC ±0.2 ANGLES ±1° FINISH:		NAME: TERMINAL, AMP - IN PRODUCT SPEC: - APPLICATION SPEC: - SIZE: A1 00779 C=1987984 SCALE: 10:1 SHEET 1 OF 1 REV B1	
MATERIAL:		CUSTOMER DRAWING	