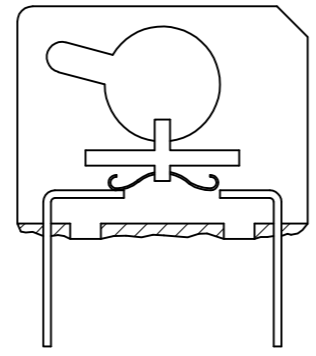
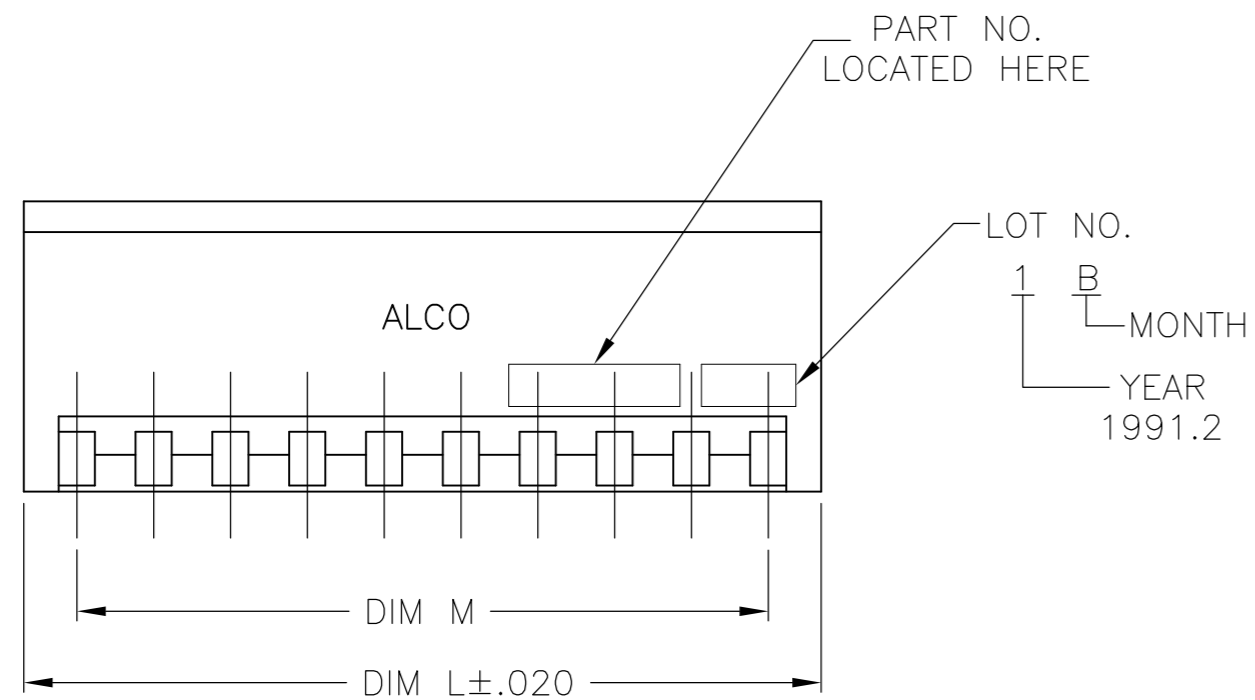
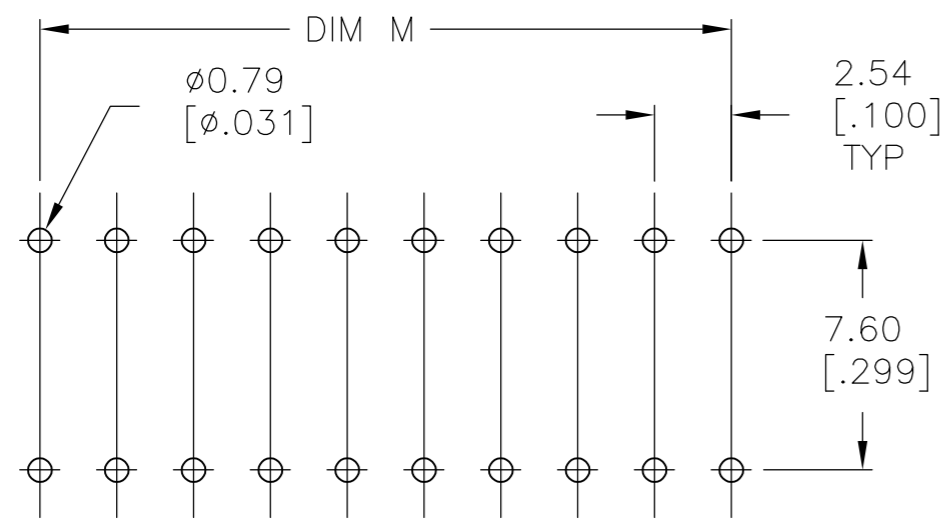
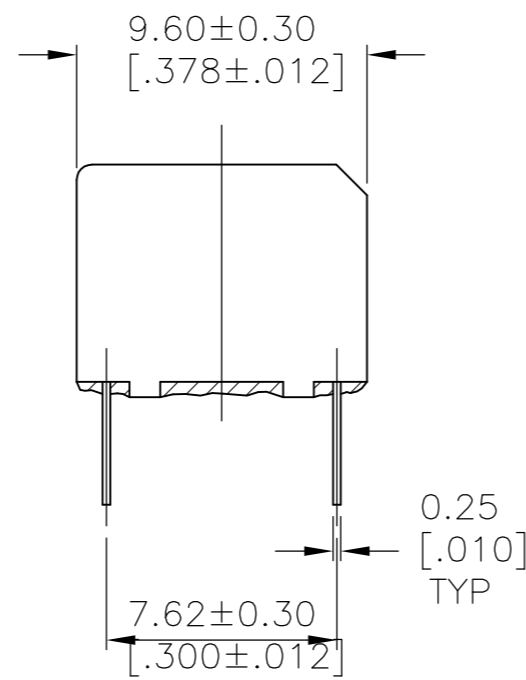
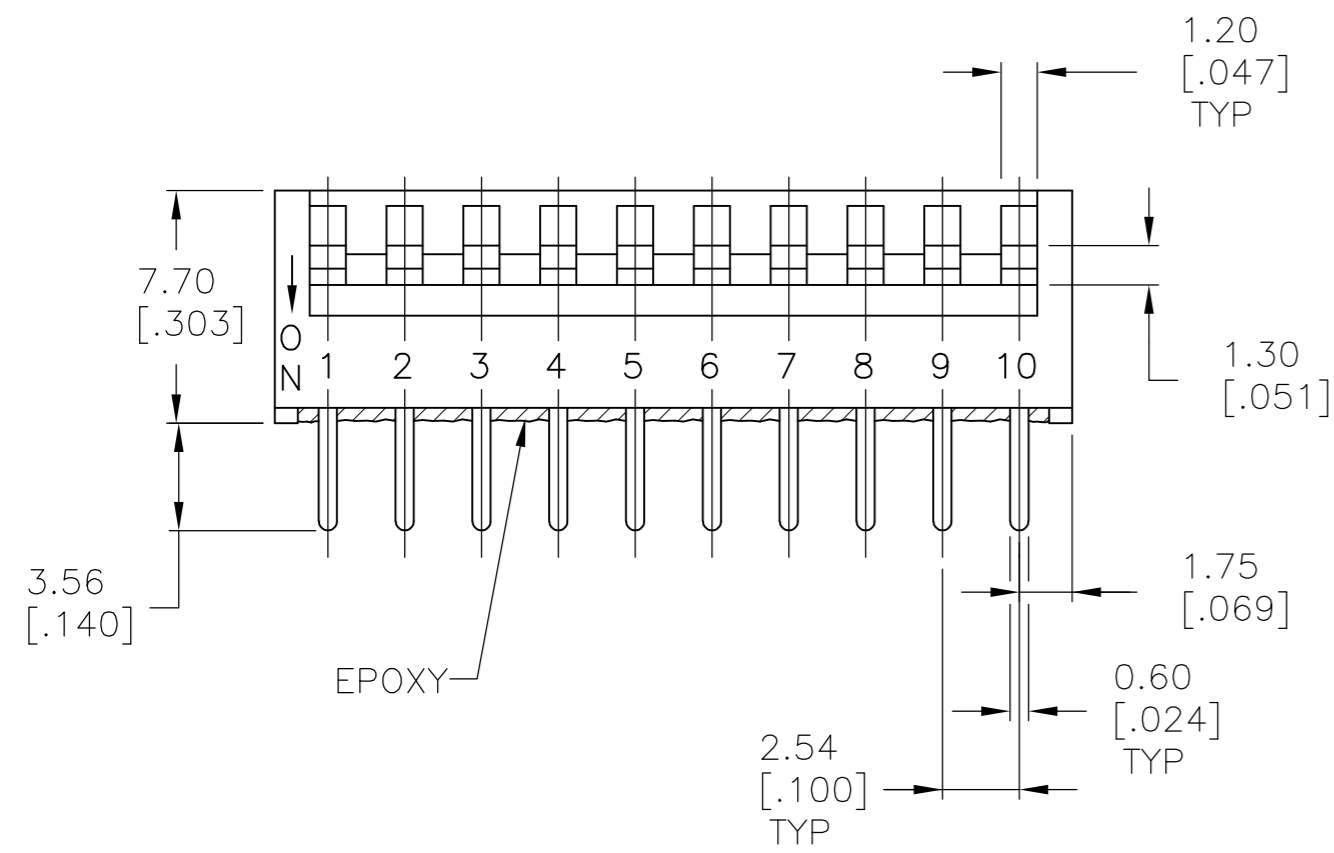


| LOC | | DIST | | REVISIONS | | | |
|-----|-----|-------------|--|---------------------------|---------|--------|--|
| P | LTR | DESCRIPTION | | DATE | DWN | APVD | |
| AD | 00 | A5 | | REVISED PER ECO-11-004820 | 11MAR11 | RK HMR | |



CROSS SECTION



RECOMMENDED BOARD LAYOUT

THRU HOLE VERSION

SPECIFICATIONS:

MATERIALS:

CASE: PPS, UL94V0-BLACK
 COVER: PPS, UL94V0-BLACK
 ACTUATOR: LCP, UL94V0-WHITE
 CONTACTS AND TERMINALS: COPPER ALLOY, GOLD OVER NICKEL
 TAPE SEAL: POLYIMIDE FILM

ELECTRICAL:

CONTACT RATING: NON-SWITCHING: 100MA @ 50VDC
 SWITCHING: 25MA 24VDC
 INITIAL CONTACT RESISTANCE: 100 MILLIOHMS MAX. @ 2VDC, 10MA
 INSULATION RESISTANCE: 100 MEGOHMS MIN. @ 100VDC
 DIELECTRIC STRENGTH: 300VAC FOR 1 MINUTE
 LIFE EXPECTANCY: 1000 CYCLES

MECHANICAL:

ACTUATION FORCE: 600 GRAMS MAX

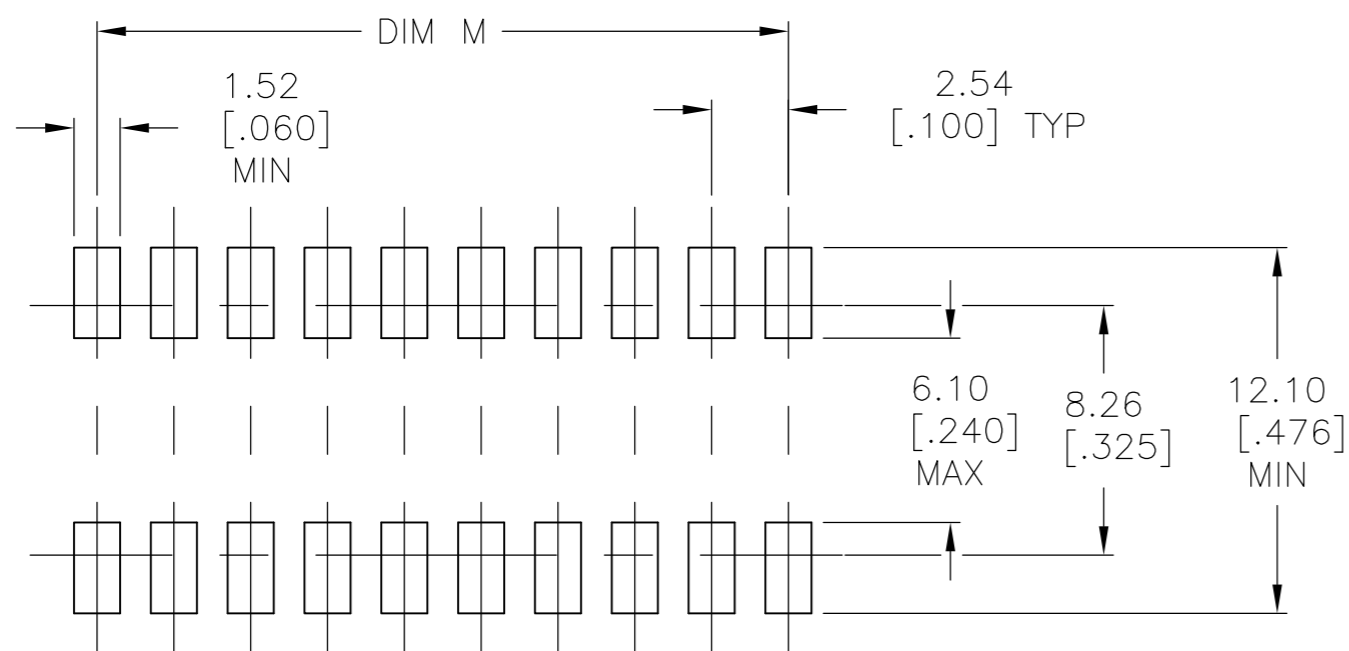
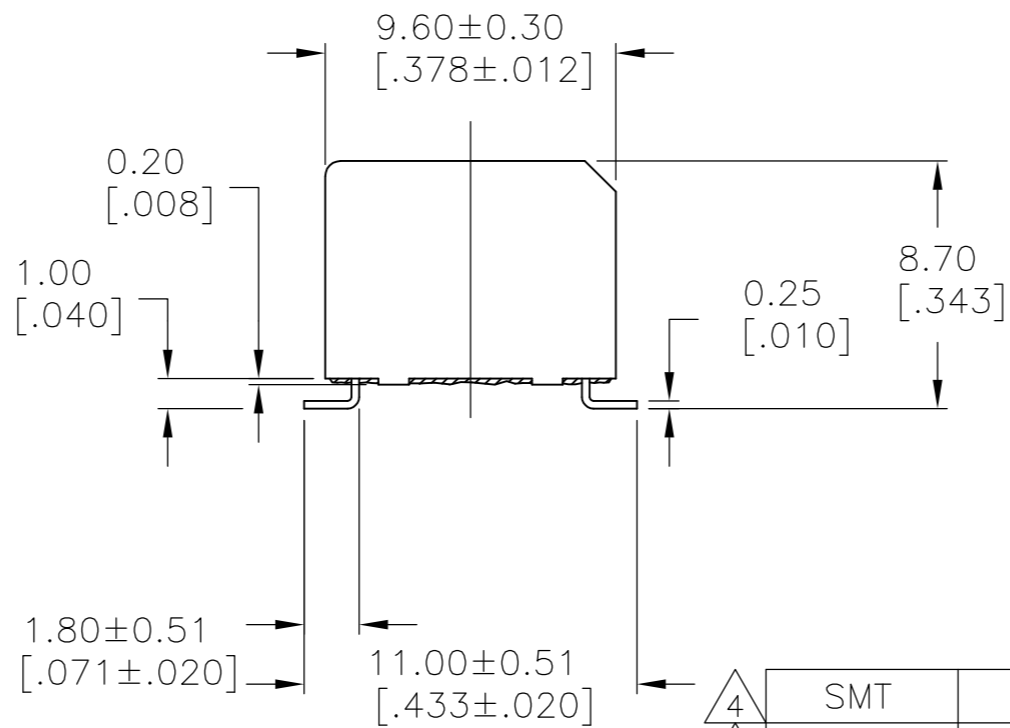
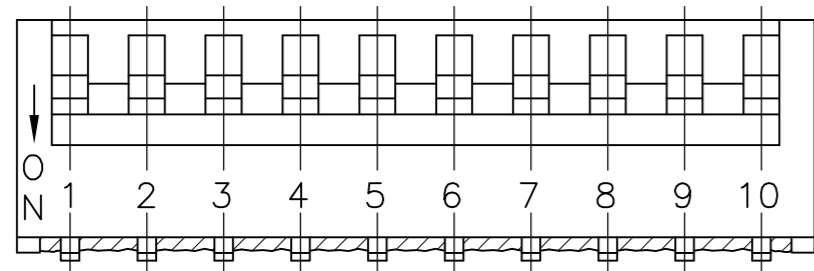
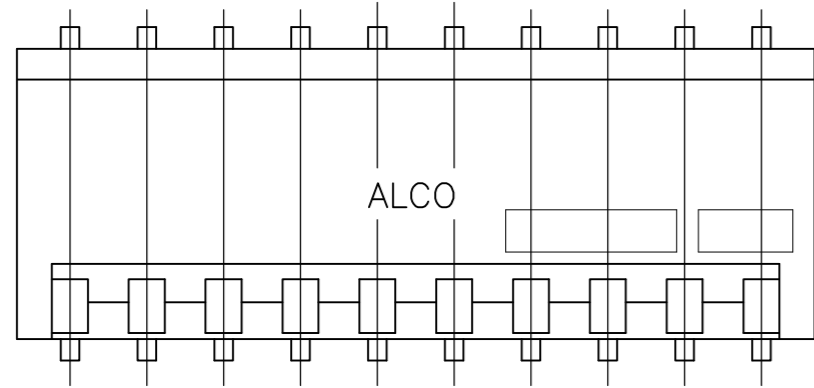
ENVIRONMENTAL:

OPERATING TEMPERATURE: -30°C TO +85°C
 STORAGE TEMPERATURE: -45°C TO +100°C
 SOLDER HEAT RESISTANCE PER 109-202, CONDITION B (THRU-HOLE) OR 109-201, CONDITION B (SMT)
 SOLDERABILITY PER JIS C 0500 & JIS C 0053

- FOR P/N TABLE & SURFACE MOUNT DETAILS SEE SHEET 2
- TAPE AND REEL PACKAGING PER EIA 481 - PART NO.S GDSXXSTR.
- ALL MATERIALS AND FINISHES SHALL COMPLY WITH EU DIRECTIVE 2002/95/EC OF 27JAN2003 (ROHS)
- SWITCH TO BE RECEIVED IN THE "ON" POSITION.
- OBSOLETE PARTS: OBSOLETE CIS STREAMLINING PER D.RENAUD/D.SINISI

| | | | | | | | | | | |
|---|--------|--------------|------------------|---------|-------|--------------------------------|-----------|------------|---------------|----|
| THIS DRAWING IS A CONTROLLED DOCUMENT. | | DWN | R BROWN | 04JAN06 | | TE Connectivity | | | | |
| DIMENSIONS: mm [INCHES] | | CHK | M SARVER | 04JAN06 | | NAME | | | | |
| TOLERANCES UNLESS OTHERWISE SPECIFIED: | | APVD | M SARVER | 04JAN06 | | DIP SWITCH ASSEMBLY GDP SERIES | | | | |
| 0 PLC ± - 1 PLC ± - 2 PLC ± .030 (.012) 3 PLC ± - 4 PLC ± - ANGLES ± - | | PRODUCT SPEC | APPLICATION SPEC | | | SIZE | CAGE CODE | DRAWING NO | RESTRICTED TO | |
| MATERIAL | FINISH | WEIGHT | - | | A2 | - | C=1571998 | - | | |
| CUSTOMER DRAWING | | | | | SCALE | 4:1 | SHEET | 1 OF 2 | REV | A5 |

| LOC | DIST | REVISIONS | | | | | |
|-----|------|-----------|-----|-------------|------|-----|------|
| AD | 00 | P | LTR | DESCRIPTION | DATE | DWN | APVD |
| | | - | | SEE SHEET 1 | | - | - |



RECOMMENDED BOARD LAYOUT
 BOARD LAYOUT TOLERANCE
 ±.002 FOR ALL DIMENSIONS

SURFACE MOUNT VERSION

| | | | | | | | |
|---|----------|------|--------------|---------------|------|--------------|-------------|
| 4 | SMT | TAPE | 7.62 [.300] | 11.13 [.438] | 4 | GDP04STRON04 | 2-1571998-2 |
| 4 | SMT | TAPE | 17.78 [.700] | 21.29 [.838] | 8 | GDP08STRON04 | 2-1571998-1 |
| 5 | OBSOLETE | SMT | 22.86 [.900] | 26.37 [1.038] | 10 | GDP10STR04 | 2-1571998-0 |
| 5 | OBSOLETE | SMT | 22.86 [.900] | 26.37 [1.038] | 10 | GDP10S04 | 1-1571998-9 |
| 5 | OBSOLETE | T/H | NONE | 22.86 [.900] | 10 | GDP10NTS04 | 1-1571998-8 |
| 5 | OBSOLETE | T/H | TAPE | 22.86 [.900] | 10 | GDP1004 | 1-1571998-7 |
| 5 | OBSOLETE | SMT | 17.78 [.700] | 21.29 [.838] | 8 | GDP08STR04 | 1-1571998-6 |
| 5 | OBSOLETE | SMT | 17.78 [.700] | 21.29 [.838] | 8 | GDP08S04 | 1-1571998-5 |
| 5 | OBSOLETE | T/H | NONE | 17.78 [.700] | 8 | GDP08NTS04 | 1-1571998-4 |
| 5 | OBSOLETE | T/H | TAPE | 17.78 [.700] | 8 | GDP0804 | 1-1571998-3 |
| 5 | OBSOLETE | SMT | 12.70 [.500] | 16.21 [.638] | 6 | GDP06STR04 | 1-1571998-2 |
| 5 | OBSOLETE | SMT | 12.70 [.500] | 16.21 [.638] | 6 | GDP06S04 | 1-1571998-1 |
| 5 | OBSOLETE | T/H | NONE | 12.70 [.500] | 6 | GDP06NTS04 | 1-1571998-0 |
| 5 | OBSOLETE | T/H | TAPE | 12.70 [.500] | 6 | GDP0604 | 1571998-9 |
| 5 | OBSOLETE | SMT | 7.62 [.300] | 11.13 [.438] | 4 | GDP04STR04 | 1571998-8 |
| 5 | OBSOLETE | SMT | 7.62 [.300] | 11.13 [.438] | 4 | GDP04S04 | 1571998-7 |
| 5 | OBSOLETE | T/H | NONE | 7.62 [.300] | 4 | GDP04NTS04 | 1571998-6 |
| 5 | OBSOLETE | T/H | TAPE | 7.62 [.300] | 4 | GDP0404 | 1571998-5 |
| 5 | OBSOLETE | SMT | 2.54 [.100] | 6.05 [.238] | 2 | GDP02STR04 | 1571998-4 |
| 5 | OBSOLETE | SMT | 2.54 [.100] | 6.05 [.238] | 2 | GDP02S04 | 1571998-3 |
| 5 | OBSOLETE | T/H | NONE | 2.54 [.100] | 2 | GDP02NTS04 | 1571998-2 |
| 5 | OBSOLETE | T/H | TAPE | 2.54 [.100] | 2 | GDP0204 | 1571998-1 |
| | MTG | SEAL | DIM M | DIM L | POLE | OLD T&B P/N | P/N |

THIS DRAWING IS A CONTROLLED DOCUMENT.

| | | |
|------|----------|---------|
| DWN | R BROWN | 04JAN06 |
| CHK | M SARVER | 04JAN06 |
| APVD | M SARVER | 04JAN06 |

TE Connectivity

DIP SWITCH ASSEMBLY
GDP SERIES

| | | | | | | | |
|-------|-----|-----------|--------|------------|-----------|---------------|---|
| SIZE | A2 | CAGE CODE | - | DRAWING NO | C=1571998 | RESTRICTED TO | - |
| SCALE | 4:1 | SHEET | 2 OF 2 | REV | A5 | | |

CUSTOMER DRAWING