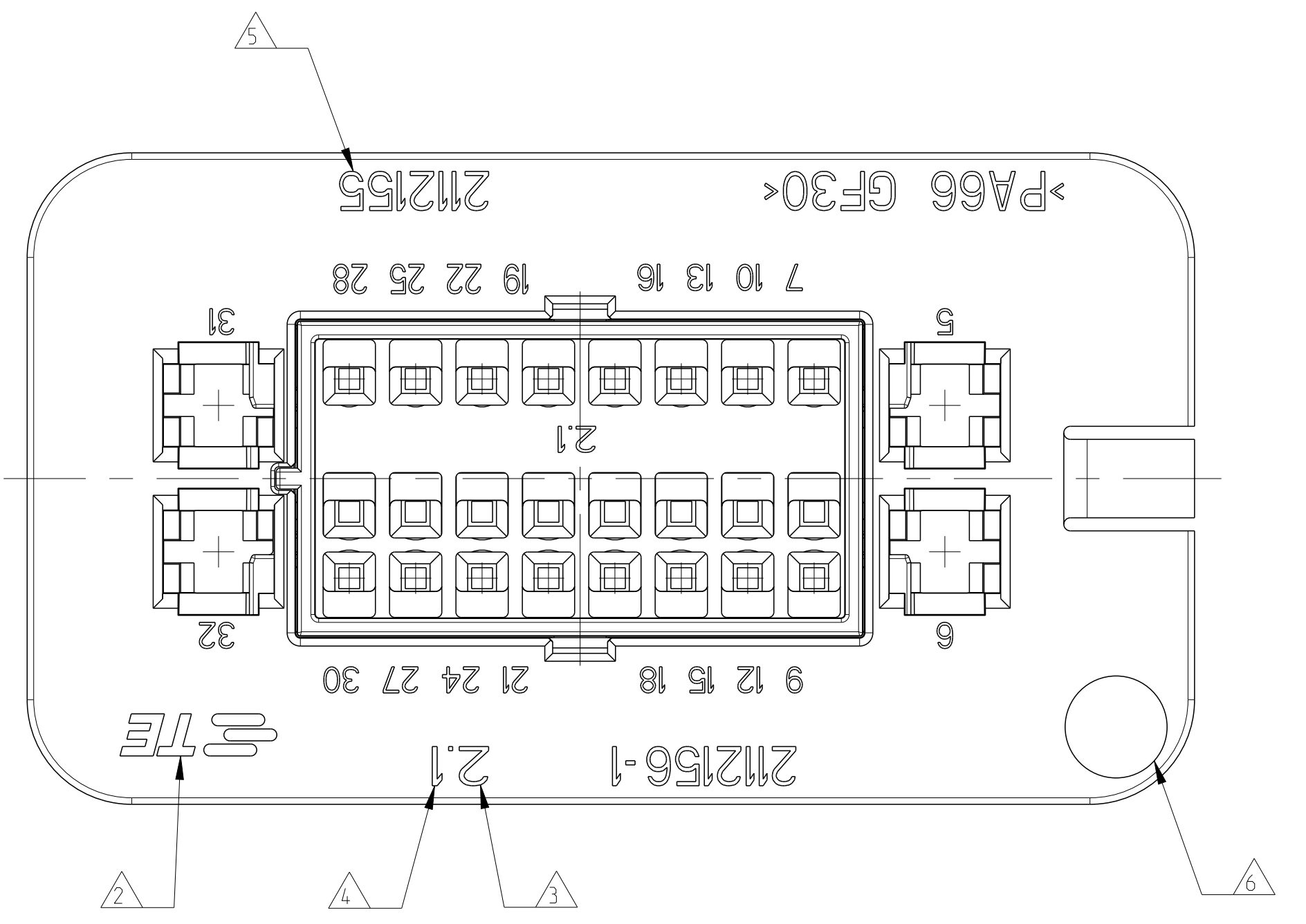
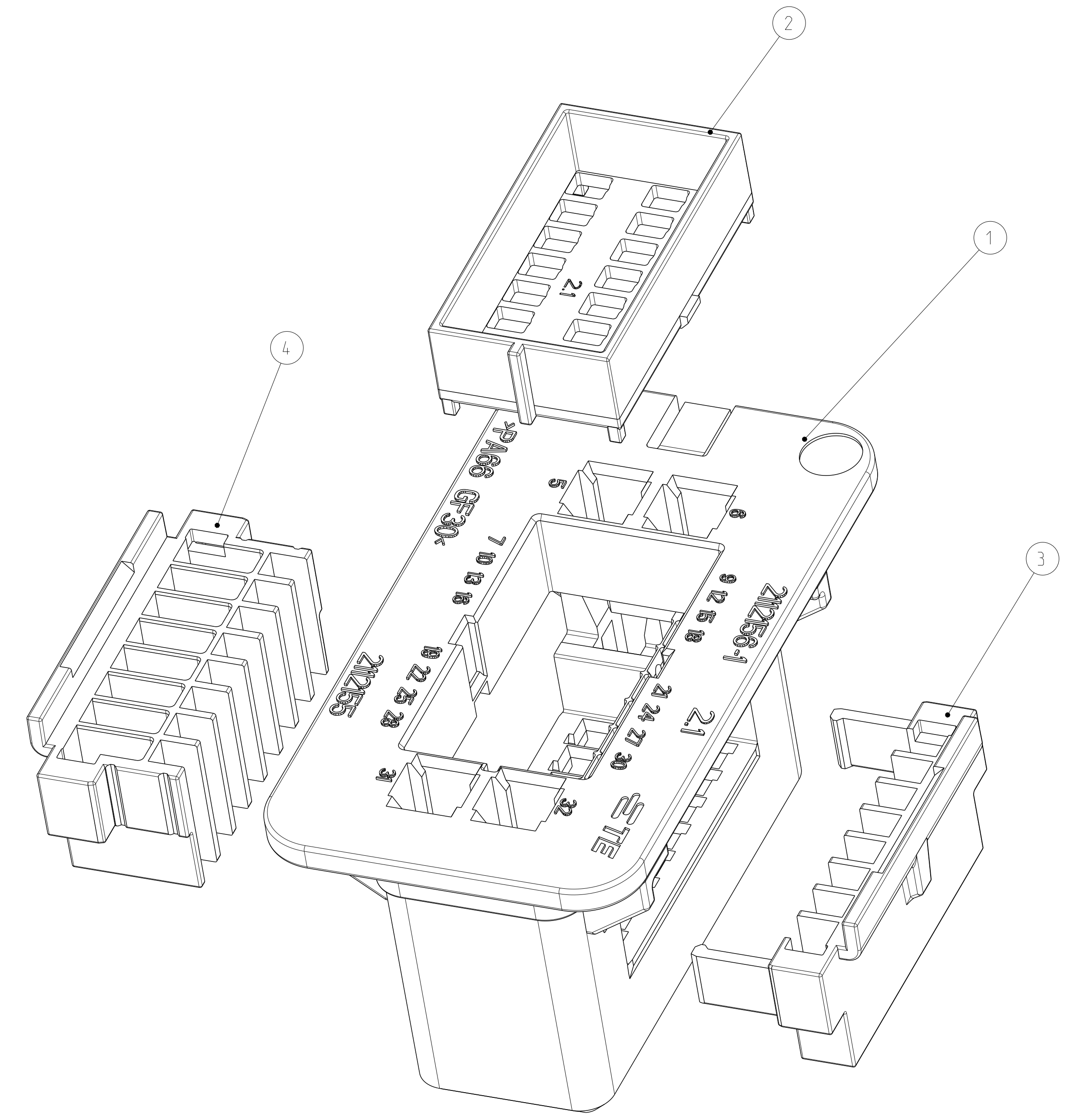
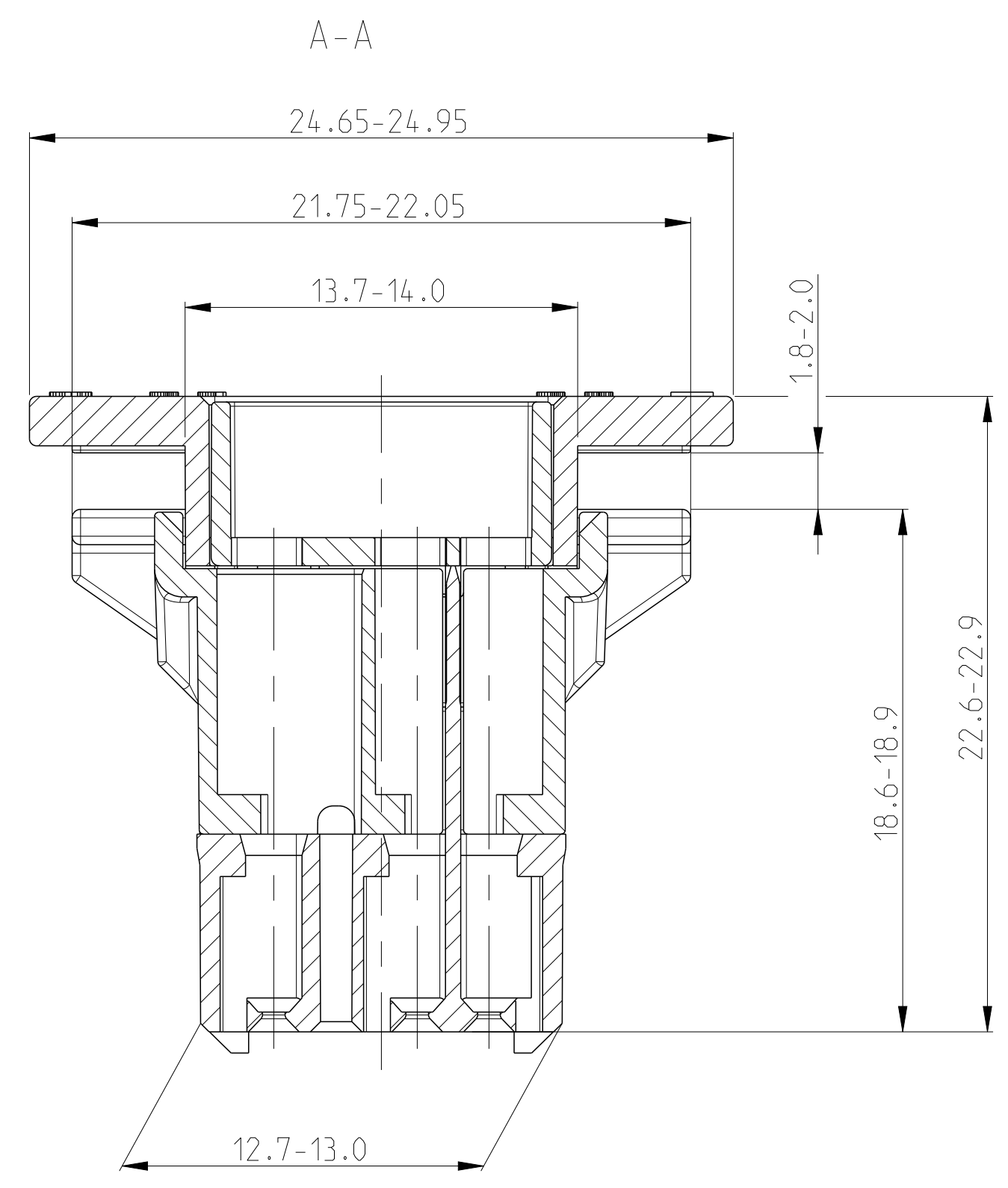
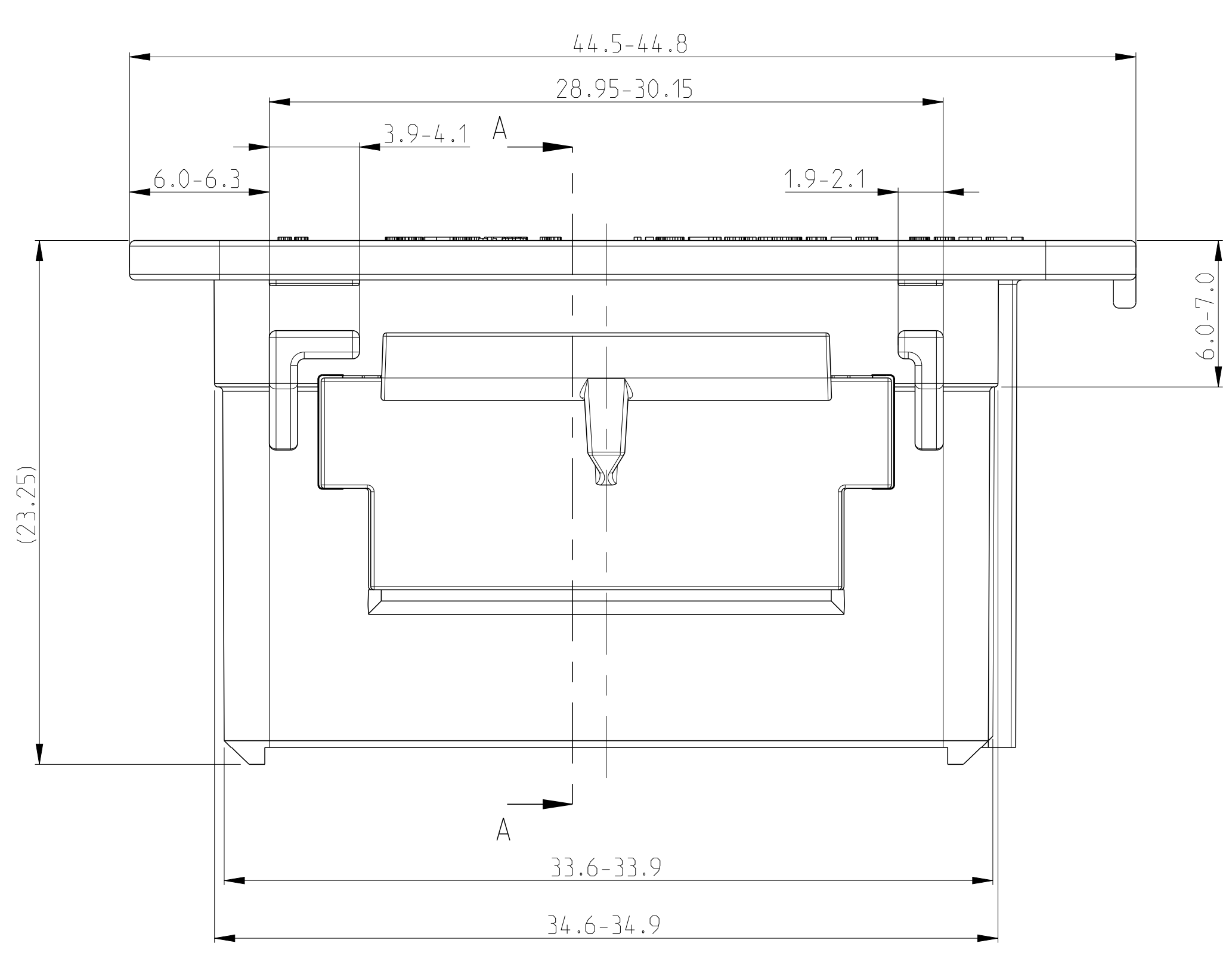
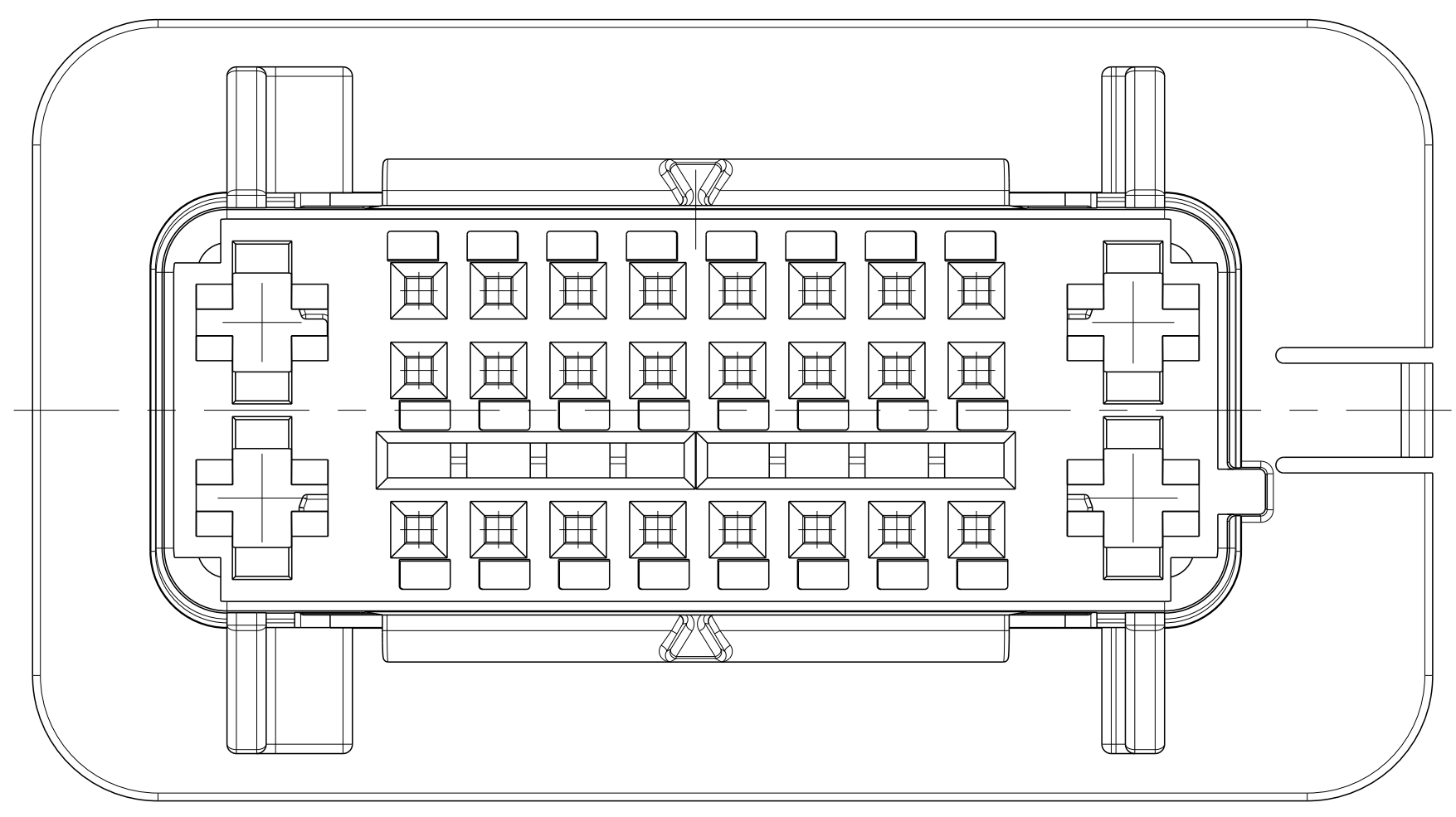


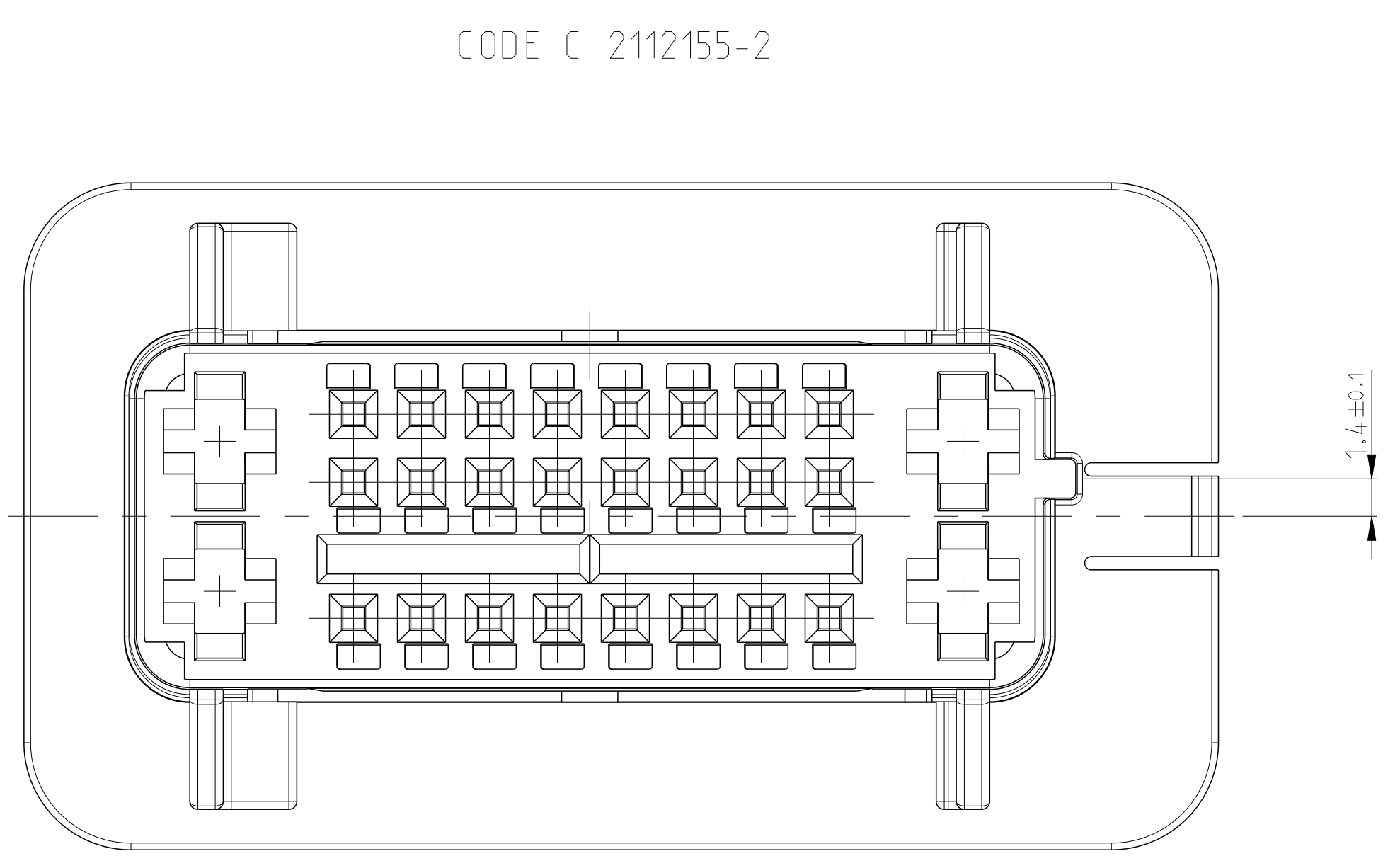
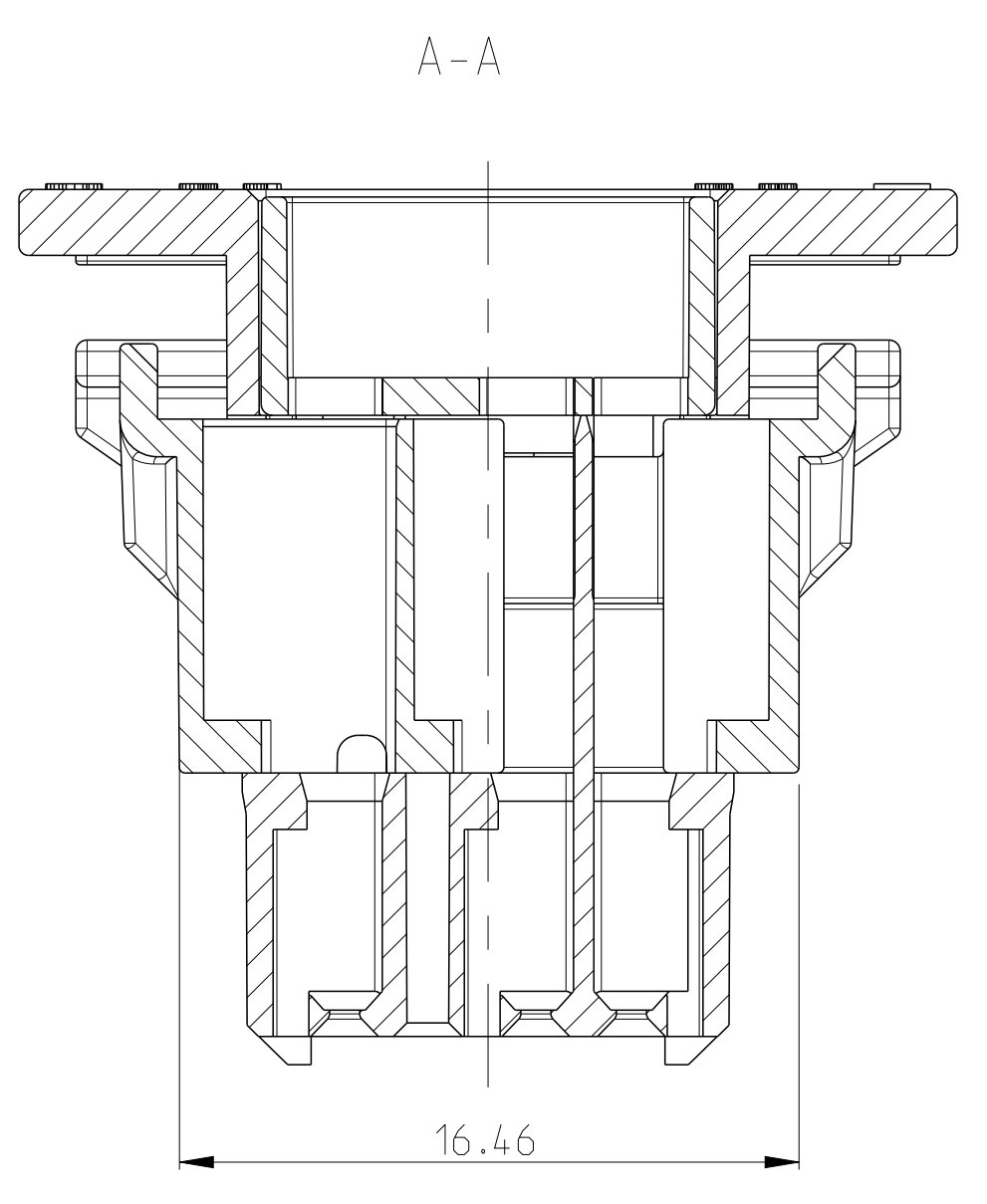
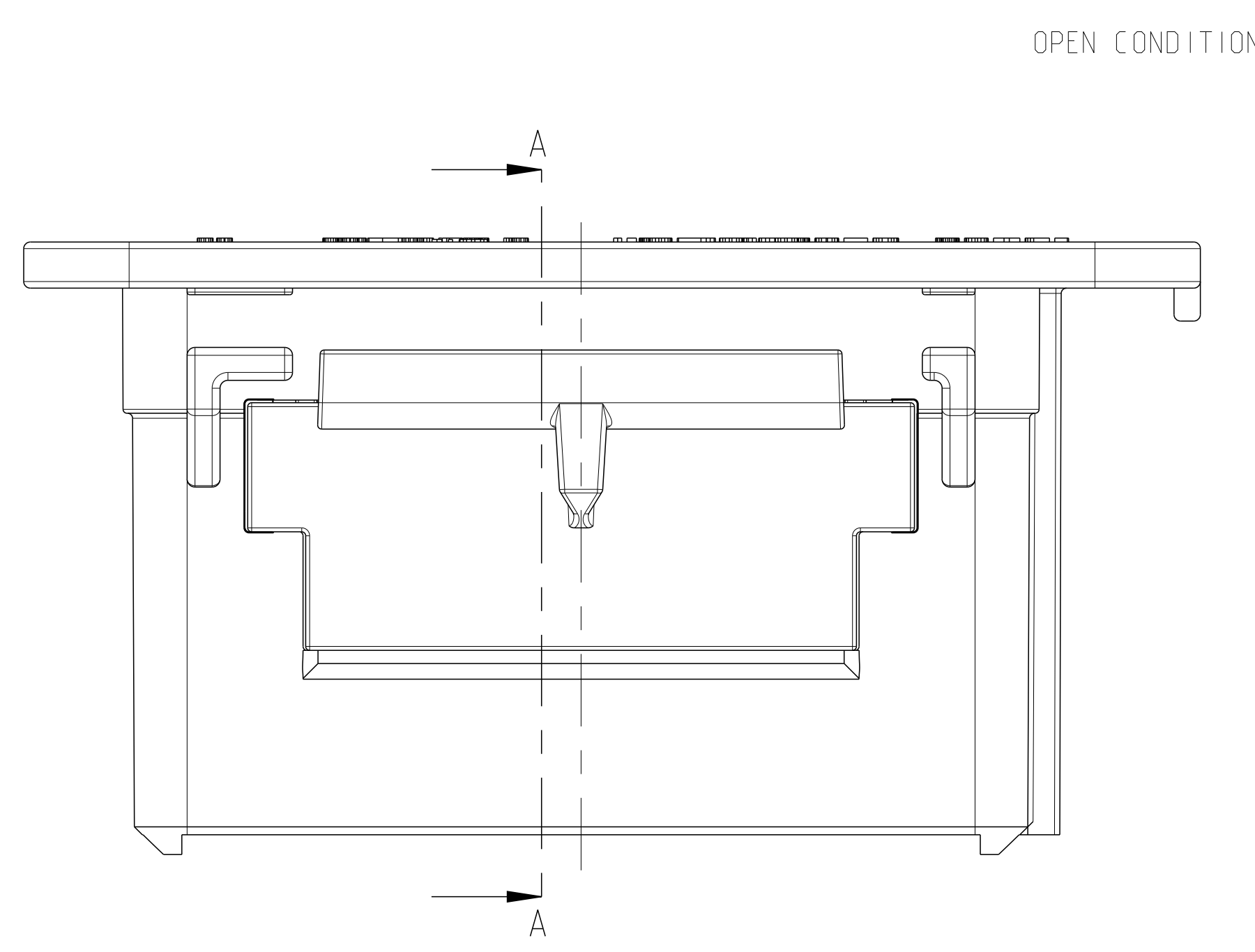
REVISIONS				
REV	DATE	DESCRIPTION	BY	APPD
A3	17SEP2010	ECR-10-019349	SPB	BB
B	05DEC2014	NEW LOGO, MARKING PLASTIC CAVITY	RC	JL



CODE A 2112155-1 AS SHOWN

NOTES

- 1. SHIP WITH TPAs IN CLOSED POSITION
- △ UPDATE LOGO ON NEW MOLD
- △ MOLD IDENTIFICATION
- △ NUMBER PLASTIC CAVITY
- △ REFERENCE PART
- △ DATE CODE



REV	QTY	DESCRIPTION	WEIGHT (g)	COLOR	TEM NO
1	1	TPA LARGE		RED	4
1	1	TPA SMALL		RED	3
1	1	Retainer TPA		RED	2
1		RECEPTACLE HOUSING		BLACK	1
1		RECEPTACLE HOUSING		BLACK	1

THIS DRAWING IS A CONTROLLED DOCUMENT. DATE: 30DEC12009  
 DIMENSIONS: UNITS: MILLIMETERS OPERATIVE DECIMALS: 0.001  
 MATERIAL: - FINISH: -  
 CUSTOMER: Drawing  
 DRAWN: Vijay Pali  
 CHECKED: Shashidhar Nair  
 APPROVED: BOB BAKER  
 PRODUCT SPEC: -  
 APPLICATION SPEC: -  
 WEIGHT: -  
 SCALE: 5:1  
 SHEET: 1 OF 1  
 REV: B  
**STE** TE Connectivity  
 RECEPTACLE ASSY  
 SIZE: A0 CASE CODE: 00779 DRAWING NO: 2112155  
 RESTRICTED TO: -