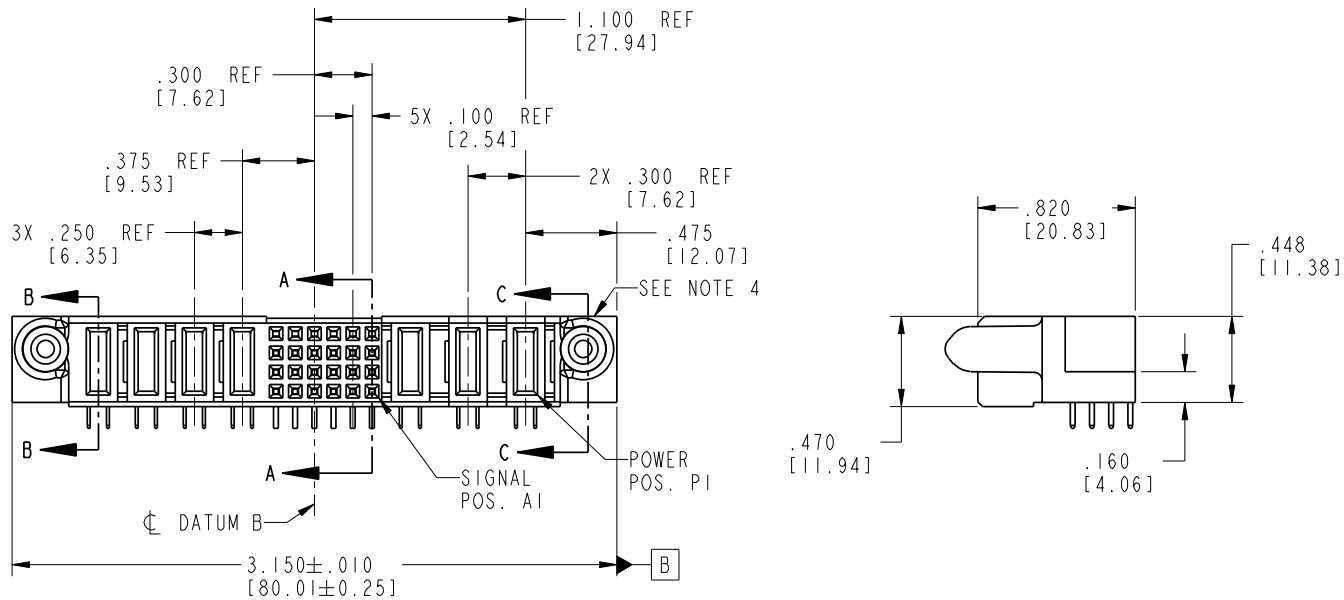
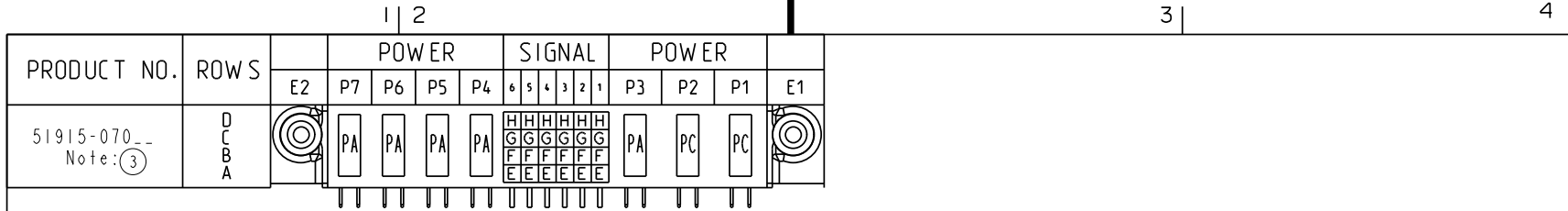


Tous droits strictement réservés. Reproduction ou communication o des liers interdite sous quelque forme que ce soit sans autorisation écrite du propriétaire. Propriété de c FCI. Droits de reproduction FCI.



All rights strictly reserved. Reproduction or issue to third parties in any form whatever is not permitted without written authority from the proprietor. Property of FCI. Copyright FCI.



CODE	DIM "M" MATING LENGTH	CONTACT TYPE
E	N/A [N/A]	SIGNAL
F	N/A [N/A]	SIGNAL
G	N/A [N/A]	SIGNAL
H	N/A [N/A]	SIGNAL
PA	.042 [1.07]	POWER
PC	.092 [2.34]	POWER

mat'l code SEE NOTE 2				tolerances unless otherwise specified		CUSTOMER		 www.fciconnect.com	
lir	ecn no.	dr	date	linear	.XX±.01/0.X±0.3	COPY		title	
A	DG05-0098	SLUO	4/27/05		.XXY±.005/0.XX±0.13	projection		3ACP + 24S + 4P	
B	DG06-0152	JMG	04/06/06	angles	.XXX±.0020/0.XXX±0.051			R/A SOLDER RECEPTACLE	
				dr	SLUO 4/27/05	INCH/MM		product family VICTOR LIN	
				enrg	***	scale		code	
				chr	VICTOR LIN 4/27/05	1:1		213	
				appd	JOSEPH HSIA 4/27/05			sheet	
sheet index	revision sheet	B 1	B 2	B 3	B 4			1 of 4	

A

A

B

B

1 | 2

Pro/E

PDM: Rev: B

STAT: Released

Printed: Dec 20, 2010

Tous droits strictement réservés. Reproduction ou communication o des liers interdite sous quelque forme que ce soit sans autorisation écrite du propriétaire. Propriete de c FCI. Droits de reproduction FCI.

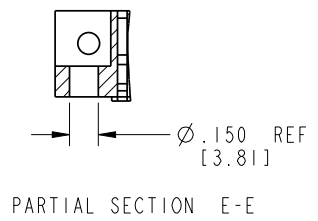
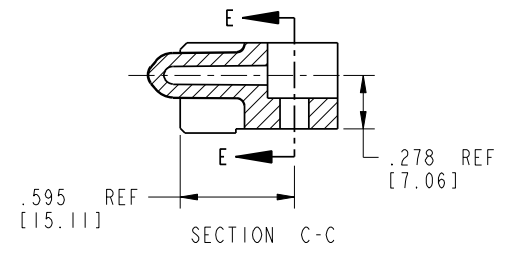
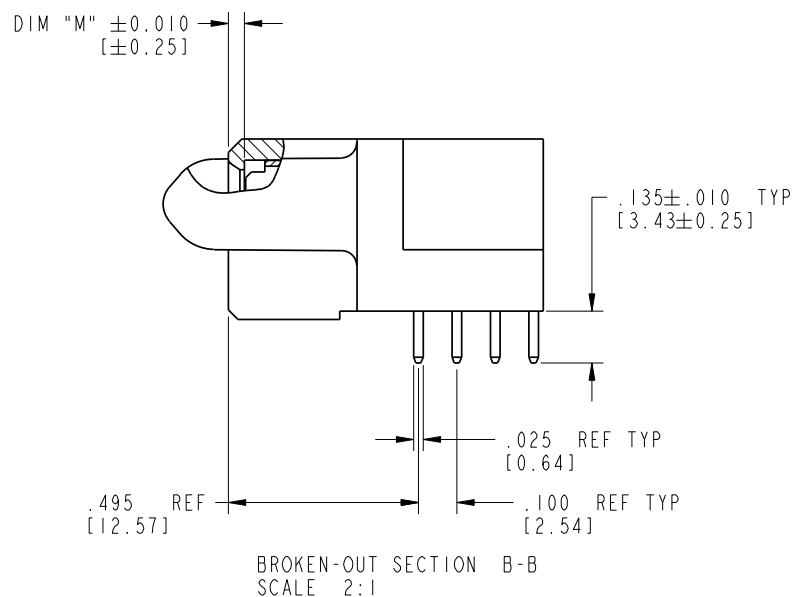
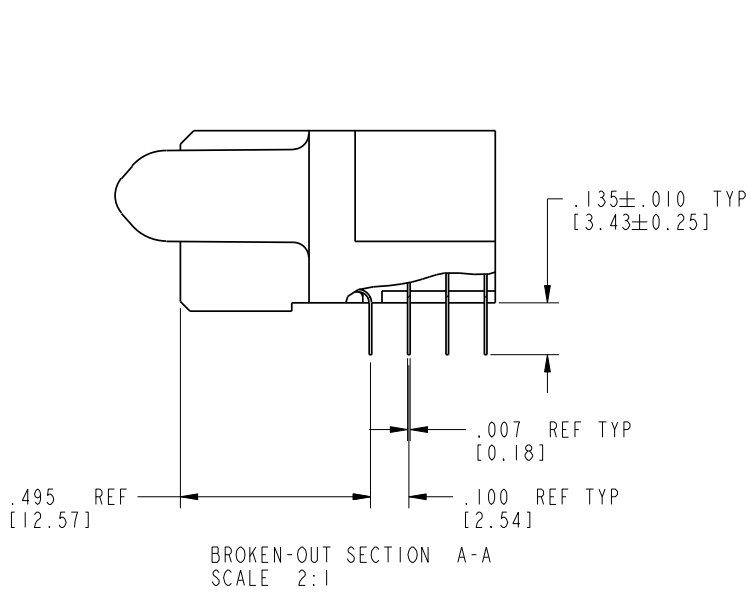
All rights strictly reserved. Reproduction or issue to third parties in any form whatever is not permitted without written authority from the proprietor. Property of FCI. Copyright FCI.



PRODUCT NUMBER

51915-070__

Note: (3)



mat'l code		SEE NOTE 2		tolerances unless otherwise specified		CUSTOMER		 www.fciconnect.com	
lir	ecn no.	dr	date	linear	.XX±.01/0.X±0.3	COPY		title	
B				linear	.XX±.005/0.XX±0.13	projection		3ACP + 24S + 4P	
				angles	.XXX±.0020/0.XXX±0.051			R/A SOLDER RECEPTACLE	
				dr	SLUO 4/27/05	INCH/MM		product family	
				enrg	***	scale		VICTOR LIN	
				chr	VICTOR LIN 4/27/05	1:1		code	
				appd	JOSEPH HSIA 4/27/05	A		213	
sheet index	revision sheet					A		51915-070	
								2 of 4	

B

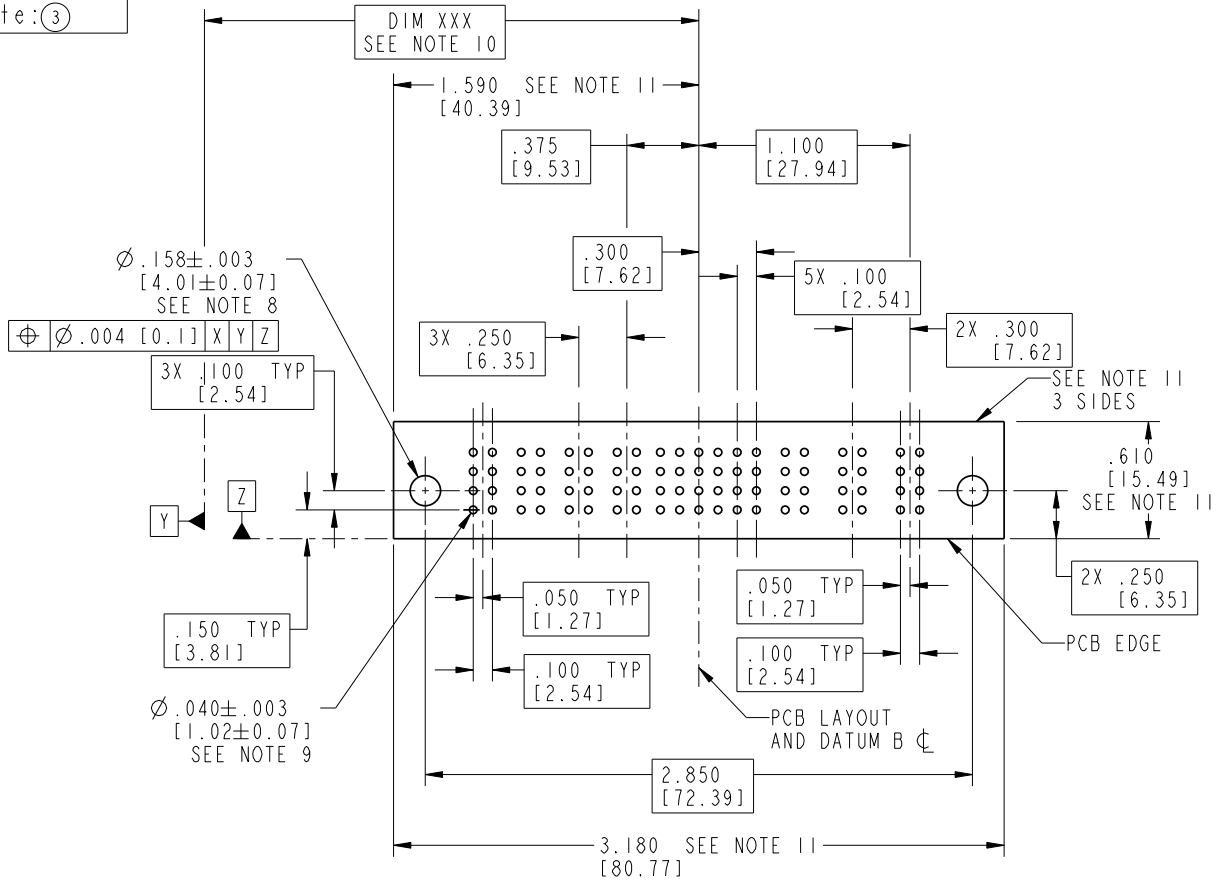
B

Tous droits strictement réservés. Reproduction ou communication o des liers interdite sous quelque forme que ce soit sans autorisation écrite du propriétaire. Propriété de c FCI. Droits de reproduction FCI.



All rights strictly reserved. Reproduction or issue to third parties in any form whatever is not permitted without written authority from the proprietor. Property of FCI. Copyright FCI.

PRODUCT NUMBER
51915-070__
Note: (3)



mat'l code		SEE NOTE 2		tolerances unless otherwise specified		CUSTOMER		FCI		www.fciconnect.com	
lir	ecn no.	dr	date	linear	.XX±.01/0.X±0.3	COPY		projection		title	
B					.XX±.005/0.XX±0.13			⊕ ↗		3ACP + 24S + 4P R/A SOLDER RECEPTACLE	
				angles	.XXXX±.0020/0.XXX±0.051			INCH/MM		product family	
				dr	0° ± 2°			scale		VICTOR LIN	
				enrg	SLUO 4/27/05			1:1		code	
				chr	***			A		213	
				appd	VICTOR LIN 4/27/05			51915-070		sheet	
					JOSEPH HSIA 4/27/05					3 of 4	
sheet index	revision sheet										

B

B

1 | 2

3 |

4

Pro/E

PDM: Rev: B

STAT: Released

Printed: Dec 20, 2010

Tous droits strictement réservés. Reproduction ou communication a des tiers interdite sous quelque forme que ce soit sans autorisation écrite du propriétaire. Propriété de c FCI. Droits de reproduction FCI.



All rights strictly reserved. Reproduction or issue to third parties in any form whatever is not permitted without written authority from the proprietor. Property of FCI. Copyright FCI.

1 | 2

3 |

4

PRODUCT NUMBER

51915-070__
Note: (3)

NOTES:

1. DIMENSIONS AND TOLERANCES ARE IN ACCORDANCE WITH ASME Y14.5M, 1994 UNLESS OTHERWISE SPECIFIED.

CONNECTOR NOTES:

- (2.) HOUSING MATERIAL: UL 94 V-0 GLASS FILLED
HIGH-TEMP THERMOPLASTIC
POWER CONTACT MATERIAL: COPPER ALLOY
SIGNAL PIN MATERIAL: COPPER ALLOY
- 3. 51915-070;51915-070LF;51915-070GLF PLATING SPEC. SEE PRINT:10064183
- (4.) MANUFACTURER'S NAME, P/N, AND DATE CODE TO APPEAR ON THIS SURFACE.
- 5. PRODUCT SPECIFICATION GS-12-149.
APPLICATION SPECIFICATION BUS-20-067.
- 6. PACKAGED IN TRAYS.

PCB NOTES:

- 7. ALL HOLE DIAMETERS ARE FINISHED HOLE SIZE.
- (8.) MOUNTING HOLES, WHERE APPLICABLE, ARE UNPLATED.
- (9.) $\varnothing .0453 \pm .0010$ [1.151 \pm 0.025] DRILLED HOLES PLATED WITH .0003 [0.008] MIN SnPb OVER .001 [0.03] TO .003 [0.08] Cu PLATING TO ACHIEVE $\varnothing .040 \pm .003$ [1.02 \pm .07] HOLE.
- (10.) "DIM XXX" TO BE DETERMINED BY THE CUSTOMER.
- (11.) CONNECTOR KEEP-OUT ZONE.

mat'l code		SEE NOTE 2		tolerances unless otherwise specified		CUSTOMER		FCI		www.fciconnect.com	
lir	ecn no.	dr	date	linear	.XX \pm .01/0.X \pm 0.3	COPY		title 3ACP + 24S + 4P			
B					.XXX \pm .005/0.XX \pm 0.13	projection		R/A SOLDER RECEPTACLE			
				angles	.XXX \pm .0020/0.XXX \pm 0.051	INCH/MM		product family VICTOR LIN		code 213	
				dr	SLUO 4/27/05	scale		size A		sheet 4 of 4	
				enrg	***	1:1		dwg no 51915-070			
				chr	VICTOR LIN 4/27/05						
				appd	JOSEPH HSIA 4/27/05						
sheet index	revision sheet										

1 | 2

Pro/E

PDM: Rev: B

STAT US: Released

Printed: Dec 20, 2010