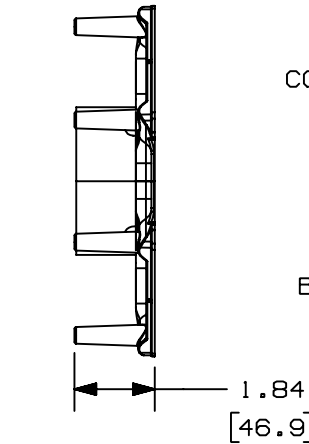
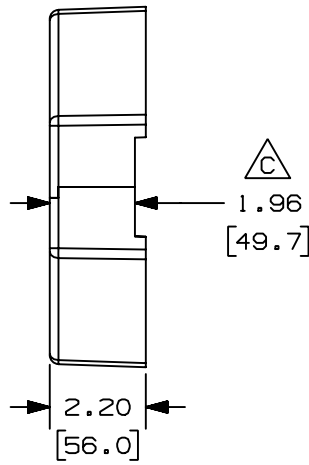
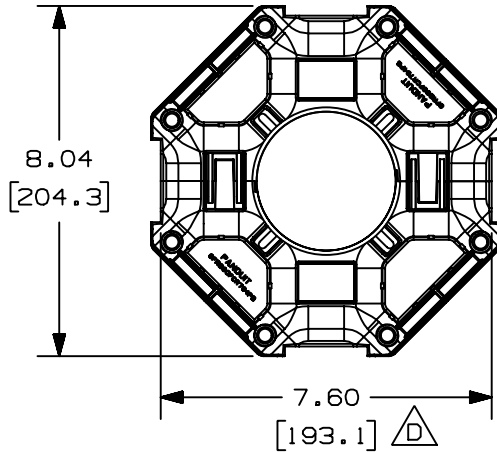
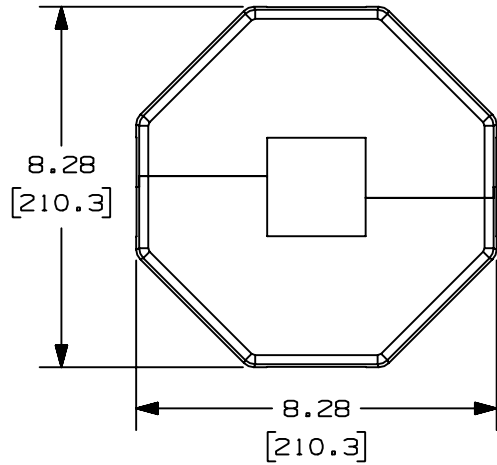


THIS COPY IS PROVIDED ON A RESTRICTED BASIS AND IS NOT TO BE USED IN ANY WAY DETRIMENTAL TO THE INTERESTS OF PANDUIT CORP.

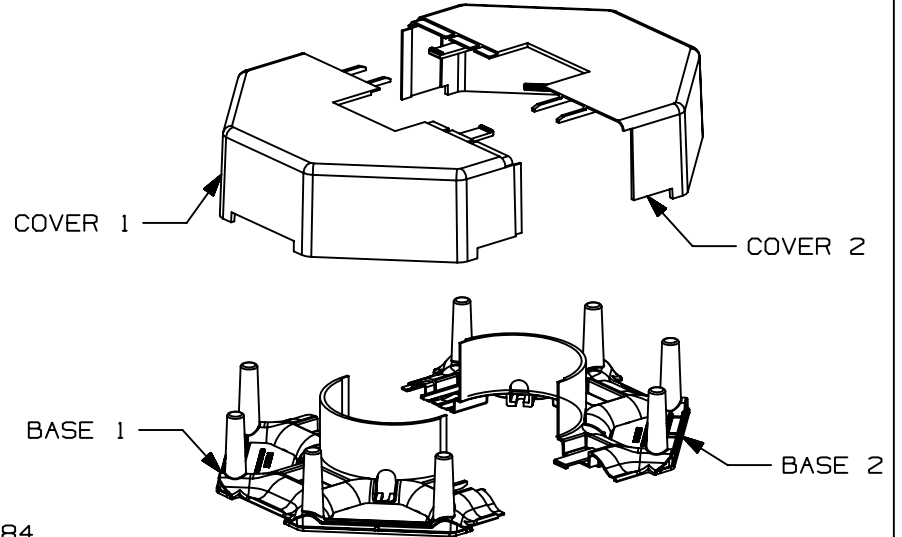


PANDUIT PART NO.	WEIGHT
OFR200FCR70**4P	.90 lbs/EACH (408.3 g/EACH)



NOTES:

1. SEE CURRENT CATALOG FOR ADDITIONAL PART NUMBER SUFFIXES TO INDICATE COLOR AND/OR PACKAGE QUANTITY.
2. DIMENSIONS IN PARENTHESIS ARE IN METRIC.
3. BYPASS AREA OPENING SIZED TO ACCEPT UP TO 2 1/4" X 2 1/4" POWER POLE.



CAD FILENAME/LAYERS D38725BM_DC_OFR200FCR704P_00B.PRT

PANDUIT CORP. TINLEY PARK, ILLINOIS
OFFICE FURNITURE 4 POSITION DROP BOX
POWER POLE BYPASS FITTING (OFR200FCR704P)
CUSTOMER DRAWING

UNLESS OTHERWISE SPECIFIED,
DIMENSIONAL TOLERANCES ARE:
(.X) ± (.XXX) ±
(.XX) ±.03 (.8) ANGLES ±

UNLESS OTHERWISE SPECIFIED,
ALL DIMENSIONS ARE GIVEN
IN INCHES, THIRD ANGLE PROJECTION.

REV	DATE	BY	CHK	DESCRIPTION	ECN	CHK	CUST	SUP
1	05-16-05	JHEP	RMHI	B. ADDED PART WEIGHT A. ADDED NOTE 3	38725-09	RGRO	RGRO	
R	07-06-04	JBN	RMHI	DRAWING RELEASED				
				RELEASED TO PRODUCTION				
				D. RELOCATED DIMENSION C. ADDED DIMENSION				

DRAWN BY JBN	MATERIAL: PVC	SCALE NONE
DATE 07-06-04		DRAWING NO. 38725-09
CHK'D RMHI		DWG SIZE A