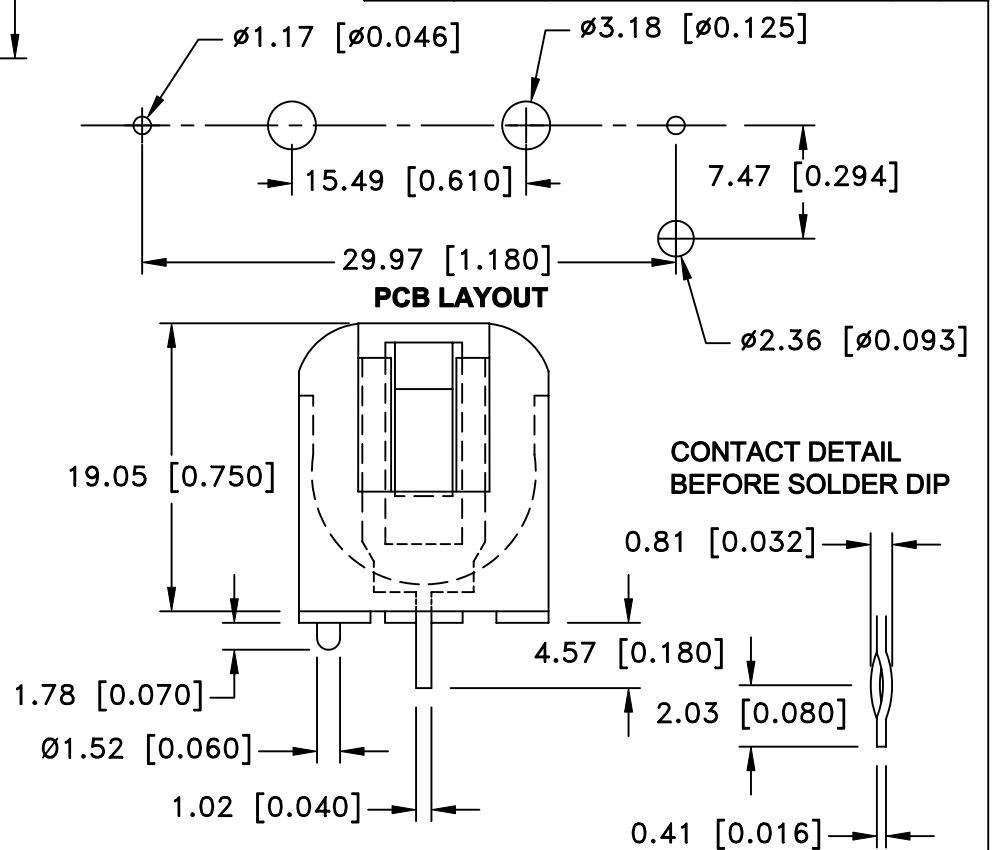


Date	SYM	REVISION RECORD	AUTH	DR.	CK.
04/26/03	A	PCB LAYOUT DIM. CHANGED TO 3 DECIMAL POINT	T.B.	B.S.	
05/03/03	B	ALL DIM. CHANGED TO 3 DECIMAL POINT	T.B.	B.S.	
07/25/03	C	CHANGED MATL. SPEC. ADDED MATERIAL ON BOTH ENDS TO CLOSE IT DIM. CHANGED	T.B.	B.S.	
02/14/04	D	ADDED "BEFORE SOLDER DIP"	T.B.	B.S.	



SPECIFICATIONS:

HOLDER MATERIAL: SELF EXTINGUISHING THERMOPLASTIC, BLACK PBT

FLAMABILITY RATING: UL94V-0, FILE #E53829

CONTACTS: 301 SPRING TEMPER STAINLESS STEEL, NICKLE PLATED OVERALL, SOLDER DIPPED PCB TAILS

DIELECTRIC STRENGTH: 560 VOLTS/MIL AT 25°C FOR 5 SEC.

TEMPERATURE RANGE: -55°C TO +180°C

RESISTANCE TO SOLVENTS: XYLENE, ETHYL, BUTYL, MRTHYL, PROPYL ALCOHOL, ETHYL ACETATE, HEPTANE, TOLUENE, REFRIGERANT


NOTES:

EYELET STIMPSON STYLE#A1883 0.110" OD x 0.190" FLANGE

FLANGE RECESS Ø0.203" x 0.090" DEEP

ACCEPTS STANDARD 2-56 MACHINE SCREWS

ACCESSORIES: BI-UM-3-4, INSULATOR

Tolerance (Except as noted)	 Memory Protection Devices, Inc 200 Broad Hollow Road, Farmingdale, New York 11735	Scale	Drawn By B.S.
decimal ±.5 (.020)		Approved By T.B.	
Fractional ± .8 (.030)	Title 1/2AA BATTERY HOLDER, PCB MOUNTING		
Angular ± 3°	Date 02/14/04	Drawing Number BH1/2AA-2	