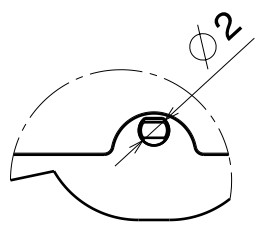
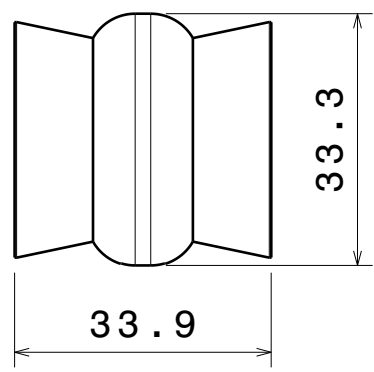
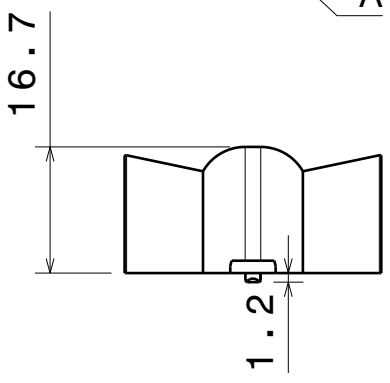
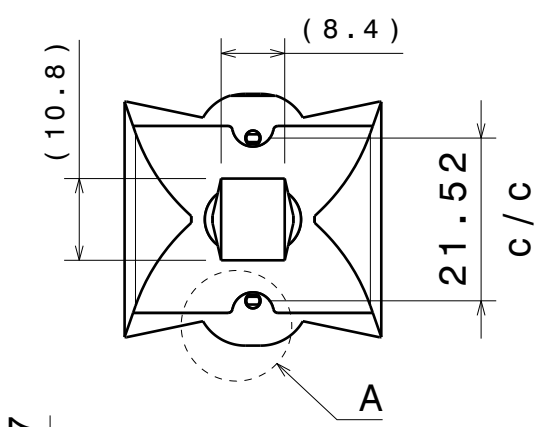


D C B A

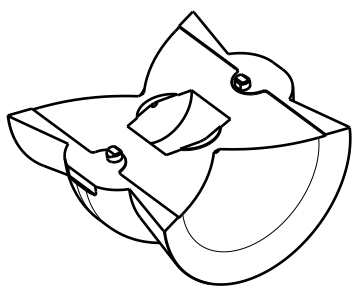
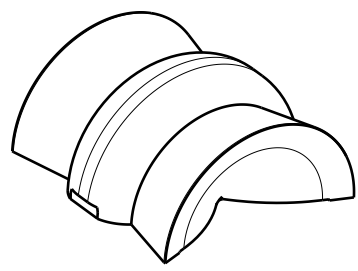
4



Detail A
Scale: 2:1



3



2

Material: PMMA

Tolerances for dimensions:
 0-20mm tolerance value $\pm 0.1\text{mm}$
 21-45mm tolerance value $\pm 0.2\text{mm}$
 46-90mm tolerance value $\pm 0.3\text{mm}$
 91-100mm tolerance value $\pm 0.4\text{mm}$
 101-mm tolerance value $\pm 0.5\text{mm}$

4

3

2

1

This drawing is our property. It can't be reproduced or communicated without our written agreement.



Ledil Oy
 Salorankatu 10
 FIN 24240 SALO
 Finland

DRAWING TITLE
 Datasheet FLARE-MAXI Lens

DRAWN BY pv	DATE 18.4.2012
CHECKED BY sn	DATE 17.4.2012
DESIGNED BY hh	DATE 6.4.2012

SIZE A4	DRAWING NUMBER C12868	REV 1
SCALE 1:1	WEIGHT (g)	SHEET 1/1

D

A

1