

## Sensor/actuator box - SACB-4/ 4-L-C SCO P - 1452806

Please be informed that the data shown in this PDF Document is generated from our Online Catalog. Please find the complete data in the user's documentation. Our General Terms of Use for Downloads are valid (<http://download.phoenixcontact.com>)



Sensor/actuator box, Connection method: M12-SPEEDCON-socket Plastic, Number of slots: 4, Number of positions: 4, Slot assignment: Single, Status indication: Yes, pnp; Master cable connection: Pluggable screw connection 180°, Shielding: No

### Product Features

- ✓ Safety in the field, thanks to molded housing and high degree of protection
- ✓ Flexible, distributed bundling of signals in one master cable
- ✓ Convenient: increased machine availability thanks to quick and easy diagnostics
- ✓ Save time, thanks to installation with SPEEDCON fast locking system
- ✓ Flexible: distributor box with connector hood for on-site assembly



### Key commercial data

|                                      |           |
|--------------------------------------|-----------|
| Packing unit                         | 1 PCE     |
| Weight per Piece (excluding packing) | 160.0 GRM |
| Custom tariff number                 | 85444290  |
| Country of origin                    | Poland    |

### Technical data

#### General

|  |                     |
|--|---------------------|
| Rated voltage                            | 24 V DC             |
| Max. operating voltage $U_{max}$         | 30 V DC             |
| Current carrying capacity per I/O signal | 2 A                 |
| Current carrying capacity per slot       | 4 A                 |
| Total rated current                      | 10 A                |
| Number of positions                      | 4                   |
| Number of slots                          | 4                   |
| Inflammability class according to UL 94  | V0                  |
| Sensor/actuator connection system        | M12-SPEEDCON-socket |

## Sensor/actuator box - SACB-4/ 4-L-C SCO P - 1452806

### Technical data

#### Ambient conditions

|                                 |                  |
|---------------------------------|------------------|
| Degree of protection            | IP65             |
|                                 | IP67             |
| Ambient temperature (operation) | -25 °C ... 80 °C |

#### Local diagnostics function

|                   |                               |
|-------------------|-------------------------------|
| Local diagnostics | Supply voltage Green LED      |
|                   | Status display I/O Yellow LED |

#### Master cable data/connection data

|  |                            |
|--|----------------------------|
| Connection method                            | Pluggable screw connection |
| Conductor cross section min. (signal)        | 0.14 mm <sup>2</sup>       |
| Conductor cross section max. (signal)        | 1.5 mm <sup>2</sup>        |
| Conductor cross section AWG min. (signal)    | 26                         |
| Conductor cross section AWG max. (signal)    | 16                         |
| Stripping length (signal)                    | 7 mm                       |
| Conductor cross section min. (energy)        | 0.14 mm <sup>2</sup>       |
| Conductor cross section max. (energy)        | 1.5 mm <sup>2</sup>        |
| Conductor cross section AWG min. (energy)    | 26                         |
| Conductor cross section AWG max. (energy)    | 16                         |
| External cable diameter min.                 | 7 mm                       |
| External cable diameter max.                 | 12 mm                      |
| Stripping length                             | 50 mm (Master cable)       |
| Tightening torque, cover screw               | 1 Nm                       |
| Tightening torque, union nut                 | 2.5 Nm                     |
| Tightening torque slot sensor/actuator cable | 0.4 Nm                     |

#### Insulation material

|  |                      |
|--|----------------------|
| Housing material   | PBT                  |
| Material of the moulding mass                            | PUR                  |
| Contact material   | Cu alloy             |
| Contact surface material                                 | Gold-plated          |
| Contact carrier material                                 | PA                   |
| Material of contact, master cable side                   | CU alloy             |
| Material of contact surface, master cable side           | Sn                   |
| Material of the contact carrier on the master cable side | PA                   |
| Material of threaded sleeve                              | PBT                  |
| Material, O-ring   | NBR                  |
| Sealing material   | NBR (Connector hood) |

# Sensor/actuator box - SACB-4/ 4-L-C SCO P - 1452806

## Technical data

### Pin assignment

|  |                       |
|--|-----------------------|
| Slot/position = Wire color or connection | 1 / 4 (A) = WH        |
|  | 2 / 4 (A) = GN        |
|  | 3 / 4 (A) = YE        |
|  | 4 / 4 (A) = GY        |
|  | 1-4 / 1 (+ 24 V) = BN |
|  | 1-4 / 3 (0 V) = BU    |
|  | 1-4 / 5 (PE) = GN/YE  |

## Classifications

### eCl@ss

|            |          |
|------------|----------|
| eCl@ss 4.0 | 27140815 |
| eCl@ss 4.1 | 27140815 |
| eCl@ss 5.0 | 27143423 |
| eCl@ss 5.1 | 27143423 |
| eCl@ss 6.0 | 27279219 |
| eCl@ss 7.0 | 27279219 |
| eCl@ss 8.0 | 27279219 |

### ETIM

|          |          |
|----------|----------|
| ETIM 4.0 | EC002585 |
| ETIM 5.0 | EC002585 |

### UNSPSC

|               |          |
|---------------|----------|
| UNSPSC 6.01   | 31261501 |
| UNSPSC 7.0901 | 31261501 |
| UNSPSC 11     | 31261501 |
| UNSPSC 12.01  | 31261501 |
| UNSPSC 13.2   | 31261501 |

## Approvals

### Approvals

---

Approvals

UL Recognized / cUL Recognized / GOST / cULus Recognized

---

# Sensor/actuator box - SACB-4/ 4-L-C SCO P - 1452806

## Approvals

Ex Approvals

---

Approvals submitted

---

### Approval details

|                    |      |
|--------------------|------|
| UL Recognized      |      |
|                    |      |
| Nominal voltage UN | 24 V |

|                    |      |
|--------------------|------|
| cUL Recognized     |      |
|                    |      |
| Nominal voltage UN | 24 V |

|      |  |
|------|--|
| GOST |  |
|------|--|

|                  |  |
|------------------|--|
| cULus Recognized |  |
|------------------|--|

## Accessories

Accessories

Cable by the meter

Master cable ring - SACB- 4X0,34/ 3X0,75-50,0 PUR - 1503328



Master cable for sensor/actuator boxes, with PE conductor, unshielded, material PUR/PVC, 7-pos., 4 x 0.34 mm<sup>2</sup> and 3 x 0.75 mm<sup>2</sup>

## Sensor/actuator box - SACB-4/ 4-L-C SCO P - 1452806

### Accessories

#### Device marking

Contact marker – zack marker strip - SS-ZB 17,5 WH - 0804963



Contact marker – zack marker strip, Strip, white, Unlabeled, Can be labeled with: Plotter, Mounting type: Snap into flat marker groove, Lettering field: 17.5 x 8 mm

---

Contact marker – zack marker strip - SS-ZB 17,5 YE - 0804976



Contact marker – zack marker strip, Strip, yellow, Unlabeled, Can be labeled with: Plotter, Mounting type: Snap into flat marker groove, Lettering field: 17.5 x 8 mm

---

#### Labeled device marker

Contact marker – zack marker strip - SS-ZB 17,5 WH CUS - 0824468



Contact marker – zack marker strip, Can be ordered: Strip, white, Labeled according to customer specifications, Mounting type: Snap into flat marker groove, Lettering field: 17.5 x 8 mm

---

Contact marker – zack marker strip - SS-ZB 17,5 YE CUS - 0824469



Contact marker – zack marker strip, Can be ordered: Strip, yellow, Labeled according to customer specifications, Mounting type: Snap into flat marker groove, Lettering field: 17.5 x 8 mm

---

#### Protective cap

## Sensor/actuator box - SACB-4/ 4-L-C SCO P - 1452806

### Accessories

Screw plug - PROT-MS SCO - 1553129



M12 screw plug with SPEEDCON quick locking for unoccupied M12 sockets of the sensor/actuator cables, boxes and flush-type connectors

---

### Screwdriver tools

Tool - SACC BIT M12-D20 - 1208445



Nut for assembling SACC M12 connectors for free assembly, excluding M12 connectors with QUICKON fast connection technology, for 4 mm hexagonal drive

---

Philips screwdriver - SZK PZ2 VDE - 1206463



Screwdriver, PZ crosshead, VDE insulated, size: PZ 2 x 100 mm, 2-component grip, with non-slip grip

---

Tool - SAC BIT HOOD-W 24 - 1212486



Nut for assembling pressure nuts with 24 mm wrench size, for 4 mm hexagonal drive

---

Adapter insert - TSD-M SAC-BIT ADAPTER - 1212600



Adapter bit for TSD-M...torque tools, E6.3-1/4" drive with 4 mm hexagon to accommodate SAC bits

---

## Sensor/actuator box - SACB-4/ 4-L-C SCO P - 1452806

### Accessories

#### Torque tool

Torque screwdriver - TSD 04 SAC - 1208429



Torque screwdriver, with preset torque of 0.4 Nm and 4 mm hexagonal drive for M12 connectors

---

Torque screwdriver - TSD-M 1,2NM - 1212224



Torque screw driver, accuracy as per EN ISO 6789 standard, adjustable from 0.3 - 1.2 Nm

---

Torque screwdriver - TSD 25 SAC - 1212315



Torque screwdriver, with preset torque of 2.5 Nm and 4 mm hexagonal drive for the pressure nut of the connector hood

---

Torque screwdriver - TSD-M 3NM - 1212225



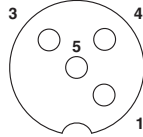
Torque screw driver, accuracy as per EN ISO 6789 standard, adjustable from 1.2 - 3 Nm

---

### Drawings

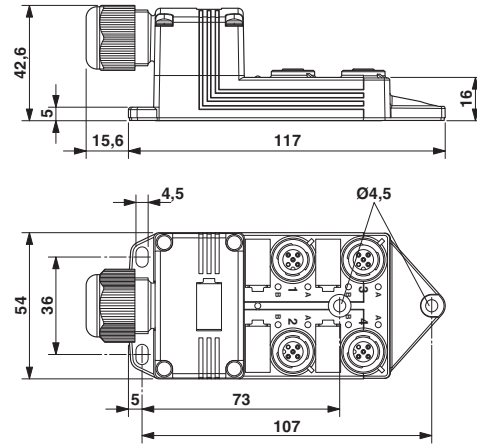
# Sensor/actuator box - SACB-4/ 4-L-C SCO P - 1452806

Schematic diagram



M12 slot, socket, 4-pos.

Dimensioned drawing



Circuit diagram

