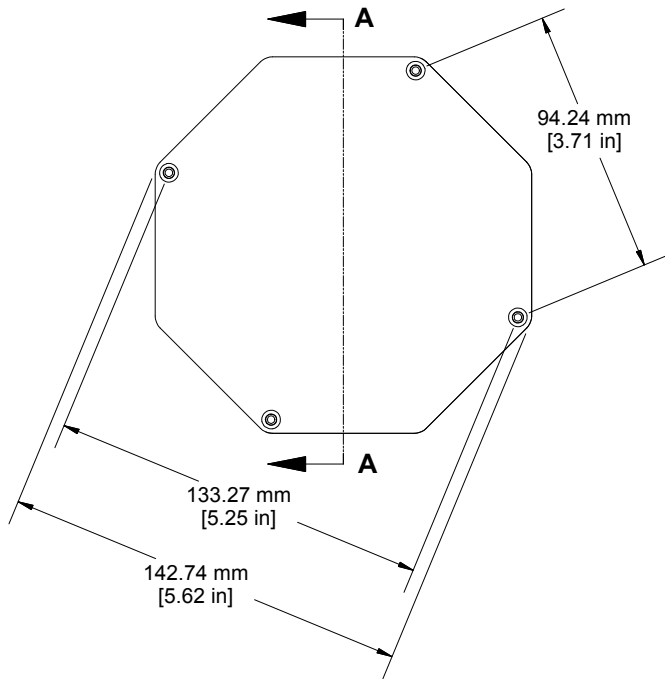
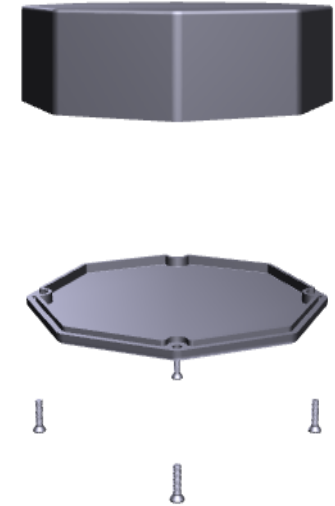
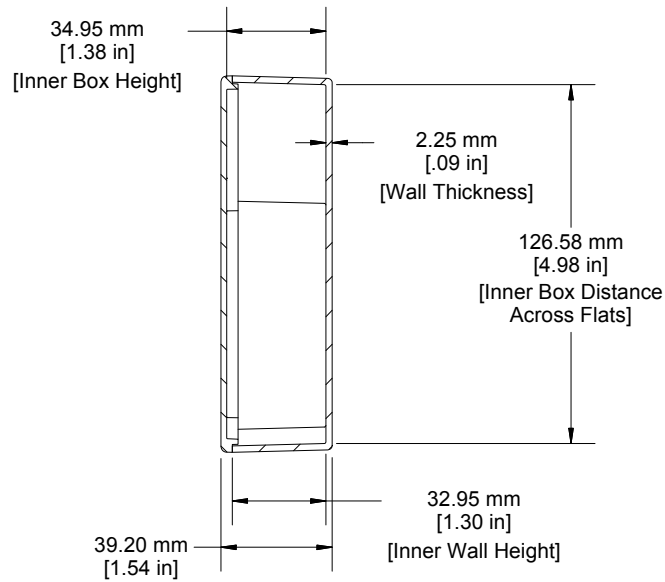


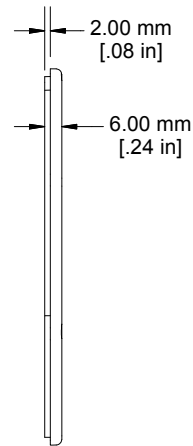
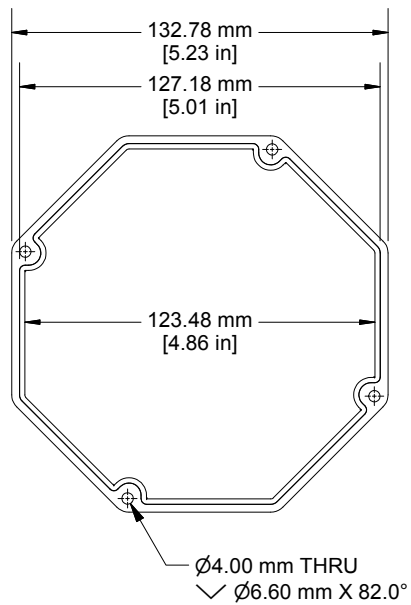
Top View of Assembly



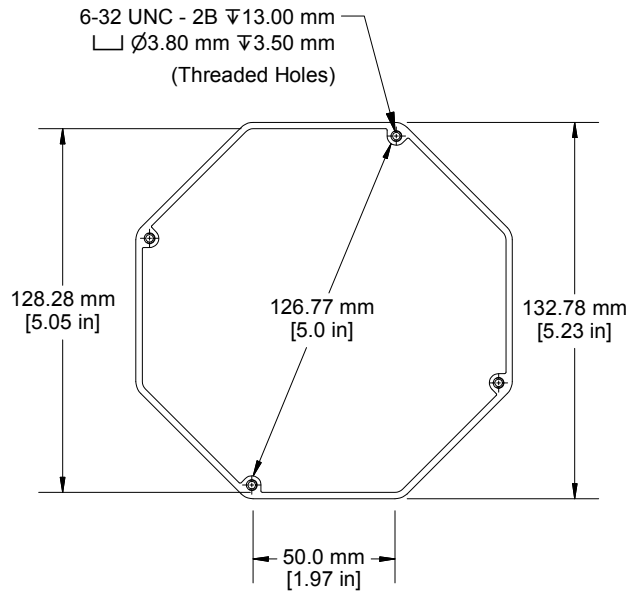
**SECTION A-A
Side View of Assembly**



Lid



Top View Looking Inside Box



Enclosures can be Factory Modified (Milling, Drilling, Printing etc.)
Contact Factory mjm@hammondmfg.com for quotes
Solid models of this enclosure available in STEP or IGES.

NOTE	
Purchased assembly includes box, lid and 4 cover screws. Box and lid are made from Diecast Aluminum Alloy (alloy type ADC-12).	
PART NUMBERS	
1590STPC Enclosure	
Unfinished	1590STPC
Black Textured Powder Paint	1590STPCBK
Light Gray Textured Powder Paint	1590STPCLG
ACCESSORIES	
Recommended Torque: 75 ozf.in / 55 cN.m	
Unfinished Cover Screws (Pkg 100)	1590MS100
[6-32 x 1/2" Nickel Plated Screws]	
Black Textured Cover Screws (Pkg 50)	1590MS50BK
[6-32 x 1/2" SS Type 304 Screws]	

**HAMMOND
MANUFACTURING™**

1590STPC

www.hammondmfg.com