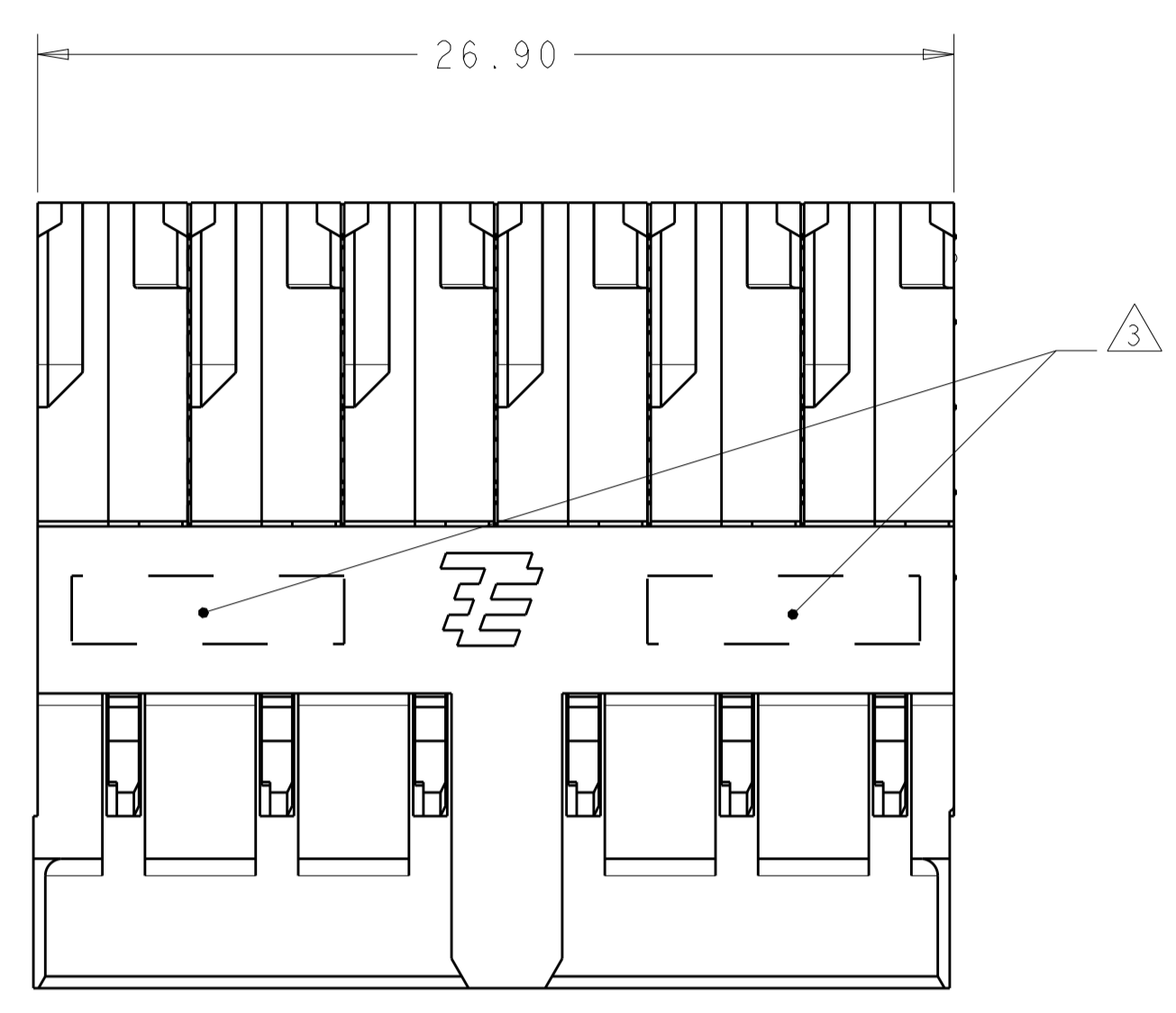
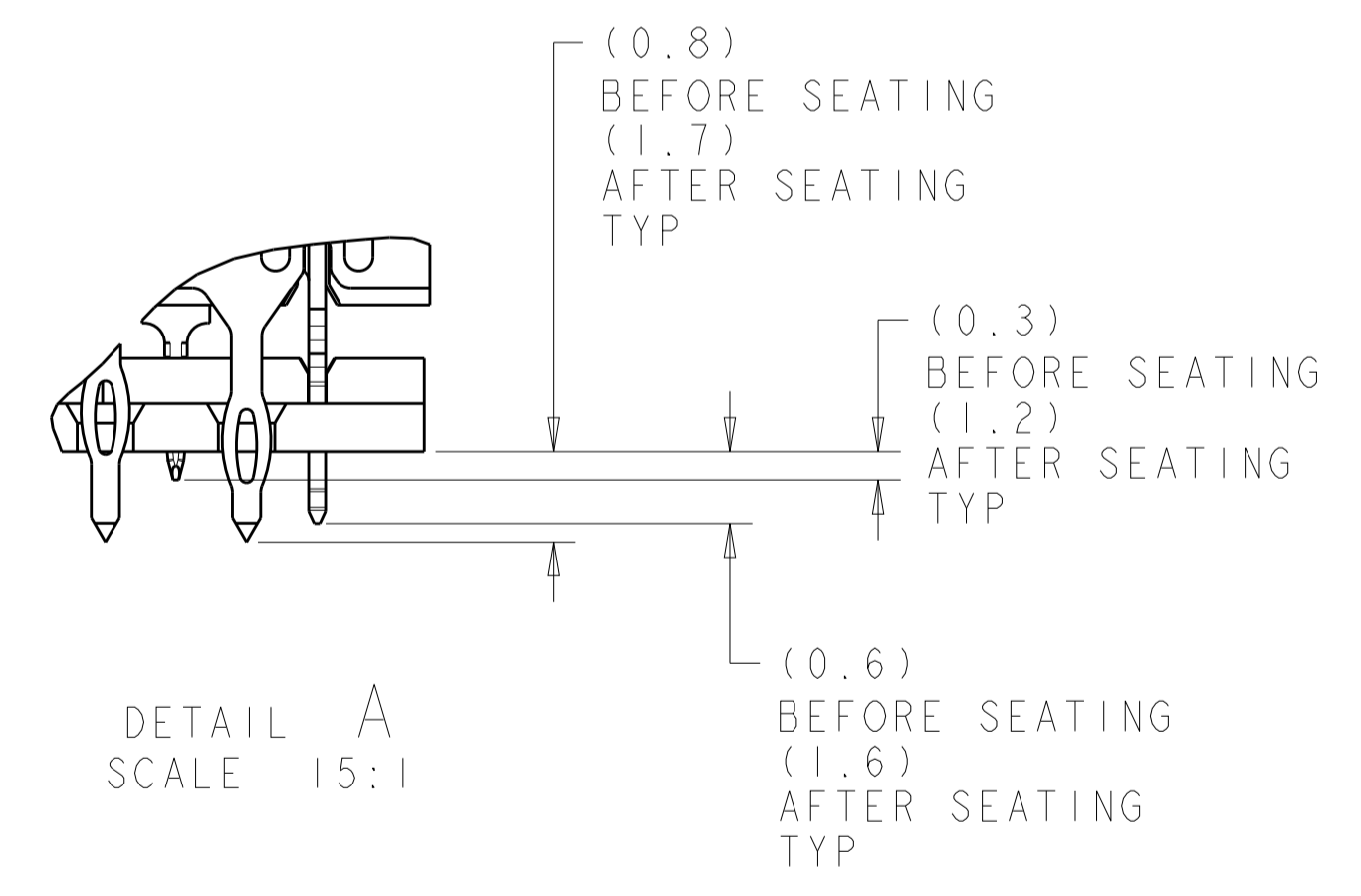
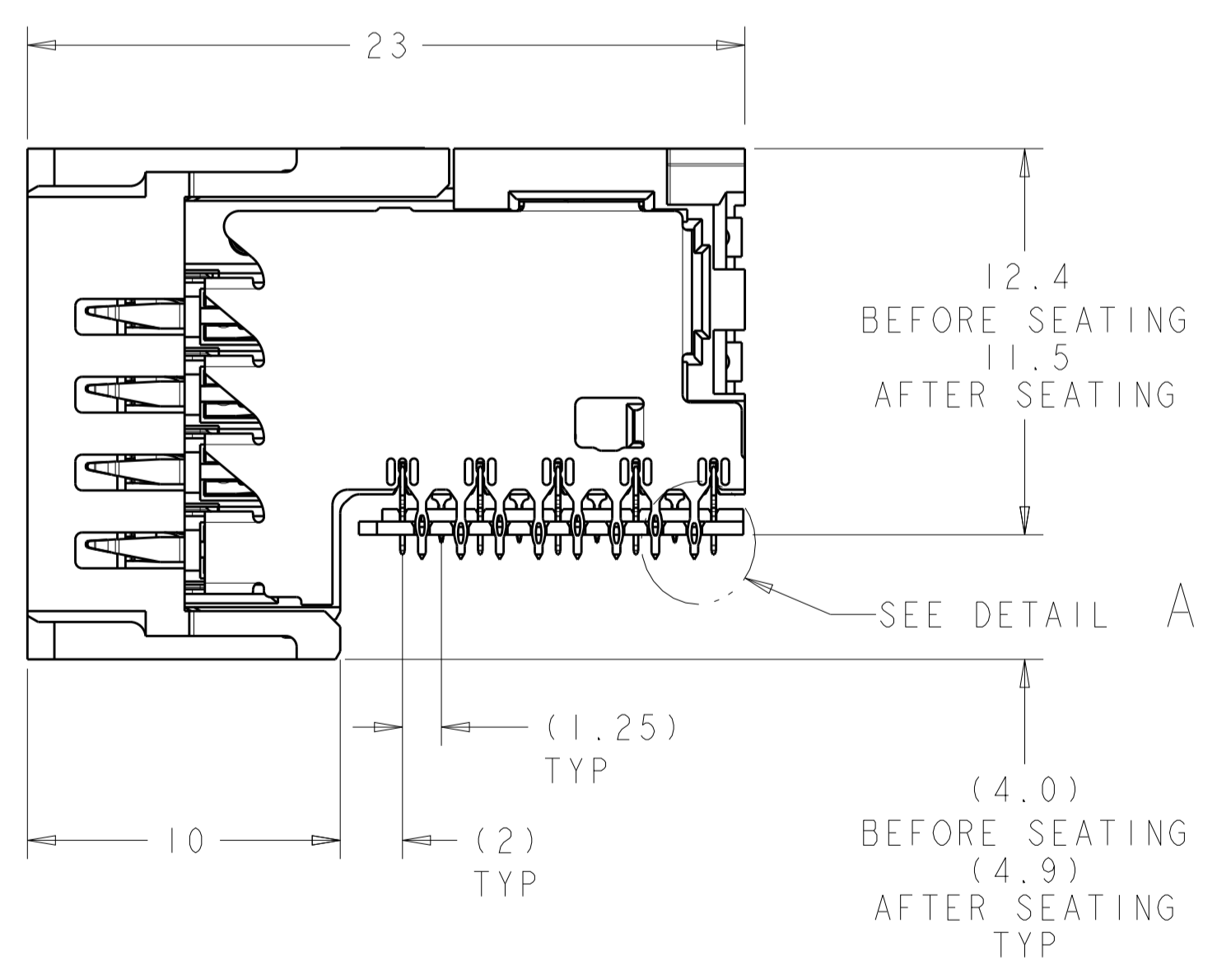
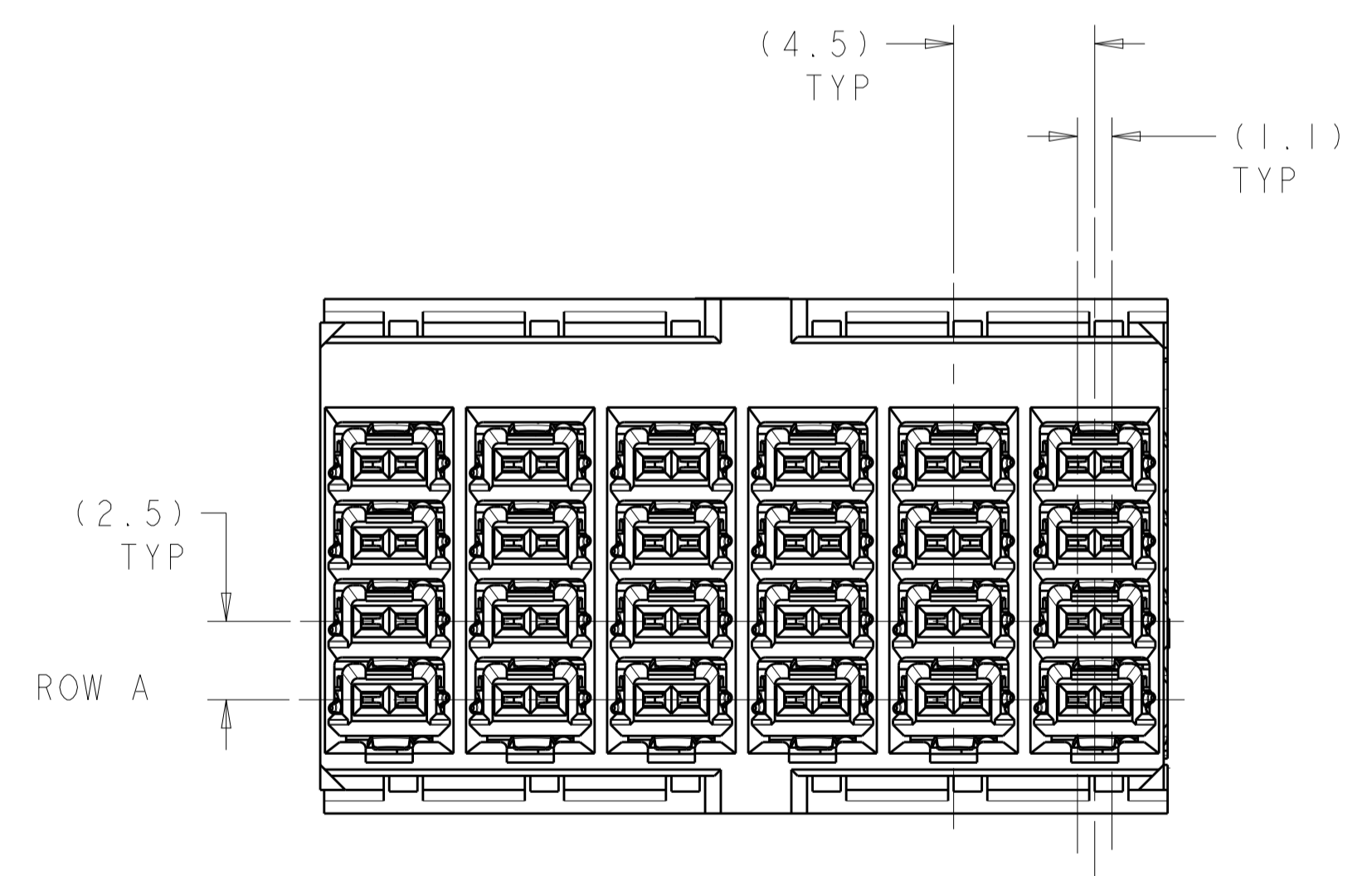


LOC	DIST	REVISIONS			
P	LTN	DESCRIPTION	DATE	DWN	APVD
A		RELEASED	25MAR2014	RT	NS



- △ MATERIAL:  
CONTACT AND SHIELD - COPPER ALLOY.  
HOUSINGS, AND ORGANIZER - THERMOPLASTIC, UL 94V-0, BLACK.
- △ CONFORMS TO REQUIREMENTS OF TE PRODUCT SPECIFICATIONS 108-2413 & 108-32037, BASED ON TELCORDIA GR-1217-CORE FOR SYSTEM QUALITY LEVEL III; APPLICATIONS IN CONTROLLED ENVIRONMENTS (CENTRAL OFFICE).
- △ CONNECTOR MARKED WITH PART NUMBER, DATE CODE, MANUFACTURING LOCATION IDENTIFICATION CODE, AND 2D BARCODE IN APPROXIMATE AREA SHOWN.
- 4. CONTACT AREA LUBRICATED WITH BELLCORE APPROVED LUBRICANT. TECHNICAL REFERENCE: GR-1217-CORE, ISSUE 2, DECEMBER 2008.
- △ PLATED THRU HOLE REQUIREMENTS:  
FINISHED HOLE =  $\varnothing 0.344 \pm 0.039$   
DRILLED HOLE =  $\varnothing 0.420 \pm 0.013$   
COPPER THICKNESS =  $0.038 \pm 0.013$   
IMMERSION TIN IF APPLICABLE =  $0.00051 \pm 0.00013$
- △ PLATED THRU HOLE REQUIREMENTS:  
FINISHED HOLE =  $\varnothing 0.244 \pm 0.039$   
DRILLED HOLE =  $\varnothing 0.320 \pm 0.013$   
COPPER THICKNESS =  $0.038 \pm 0.013$   
IMMERSION TIN IF APPLICABLE =  $0.00051 \pm 0.00013$
- △ PTH DIMENSIONS APPLY TO 1.00mm DEPTH FROM MOUNT SIDE OF PCB.
- △ HOLE POSITION TOLERANCE APPLIES WITHIN PATTERN FOR CONNECTOR PATTERN TO CONNECTOR PATTERN, A  $0.12\text{M}$  POSITION TOLERANCE APPLIES.

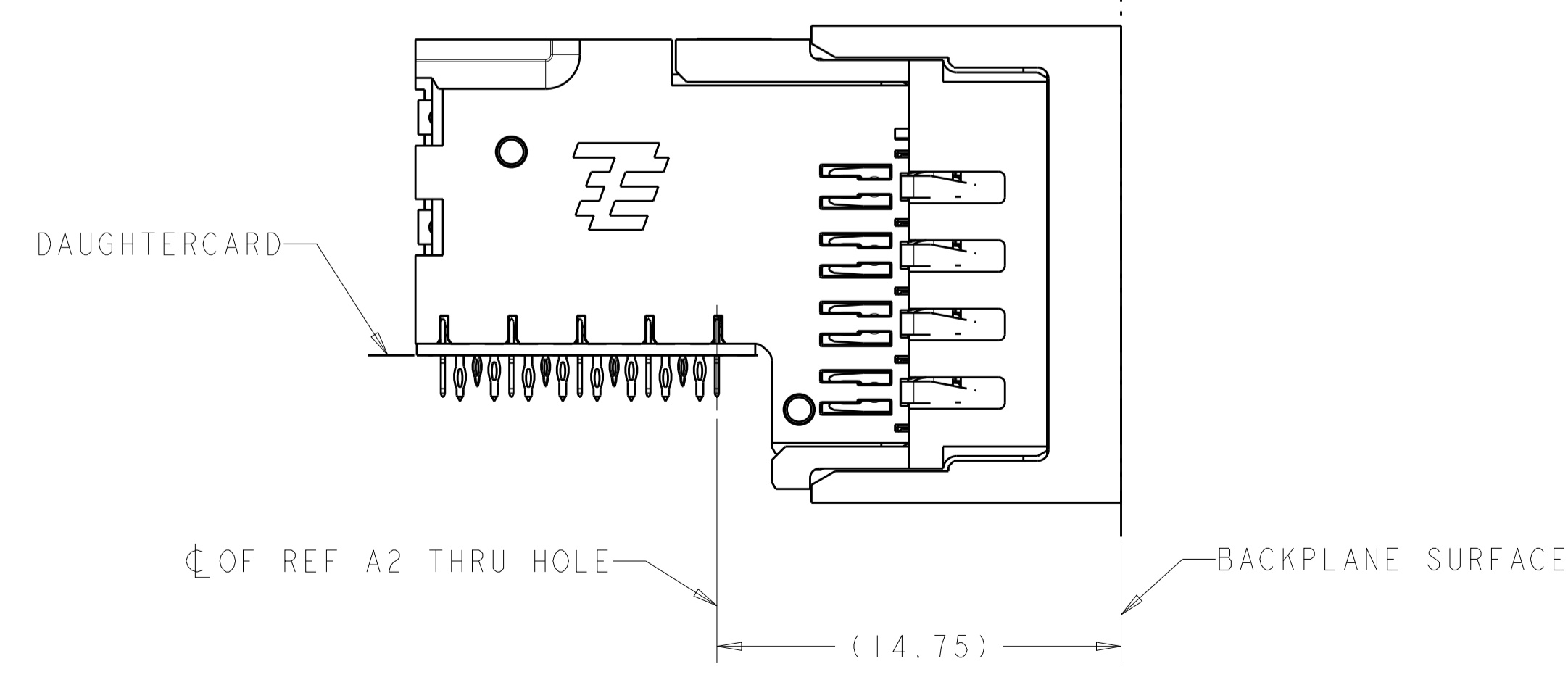
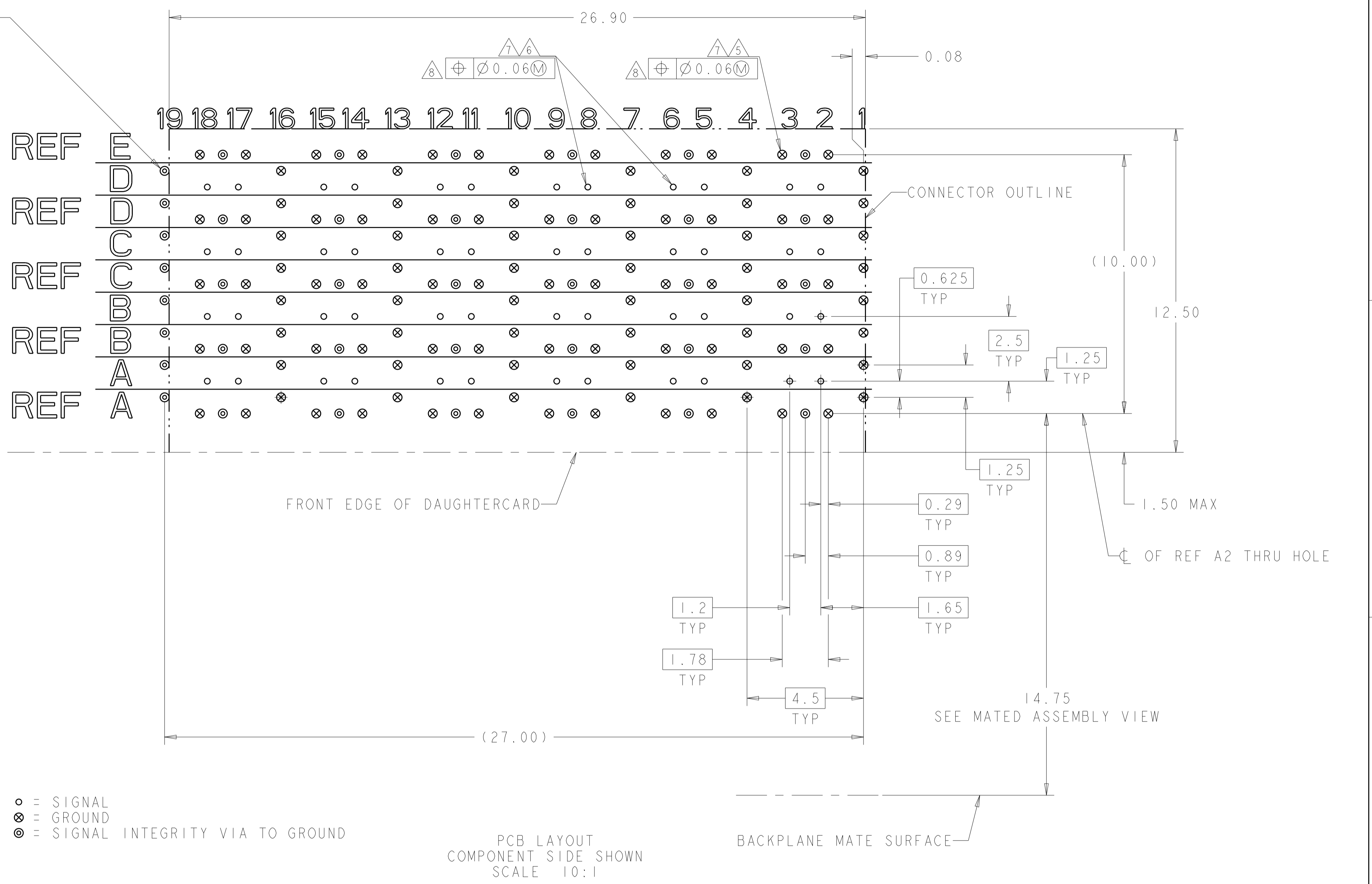


TIN	2198267-2
TIN-LEAD	2198267-1
PRESS FIT TAIL PLATING	PART NO

THIS DRAWING IS A CONTROLLED DOCUMENT.		DWN R. THOMPSON 29NOV2011	TE Connectivity NAME RECEPTACLE ASSEMBLY, 4 PAIR 6 COLUMN, RIGHT ANGLE, 4.5mm PITCH, STRADA WHISPER 360
DIMENSIONS: mm		CHK N. SWANGER 29NOV2011	
TOLERANCES UNLESS OTHERWISE SPECIFIED:		APVD N. SWANGER 29NOV2011	PRODUCT SPEC
0 PLC	$\pm 0.2$	APPLICATION SPEC	SIZE
1 PLC	$\pm 0.2$	114-13301	CAGE CODE
2 PLC	$\pm 0.08$	WEIGHT	DRAWING NO
3 PLC	$\pm 0.013$	Customer Drawing	RESTRICTED TO
4 PLC	$\pm$		
ANGLES	$\pm$		
FINISH	SEE TABLE		
MATERIAL			

LOC	DIST	REVISIONS			
GP	00	REV	DATE	BY	APPD
		1	SEE SHEET 1		

FOOTPRINT SHOWN IS FOR SINGLE MODULE APPLICATION. WHEN CONNECTORS ARE STACKED SIDE BY SIDE, THESE SI VIAS ARE USED AS GROUNDS BY THE NEXT CONNECTOR



MATED ASSEMBLY VIEW SCALE 5:1

THIS DRAWING IS A CONTROLLED DOCUMENT.		OWN: R. THOMPSON 29NOV2011	TE Connectivity
DIMENSIONS: mm		CHK: N. SWANGER 29NOV2011	
TOLERANCES UNLESS OTHERWISE SPECIFIED:		APVD: N. SWANGER 29NOV2011	NAME: RECEPTACLE ASSEMBLY, 4 PAIR 6 COLUMN, RIGHT ANGLE, 4.5mm PITCH, STRADA WHISPER 360
0 PLC ±0.2 1 PLC ±0.2 2 PLC ±0.08 3 PLC ±0.13 4 PLC ± ANGLES ±		PRODUCT SPEC:	SIZE: 114-13301
MATERIAL: SEE TABLE		WEIGHT: -	RESTRICTED TO: A100779C=2198267
		Customer Drawing	SCALE: 5:1 SHEET 2 OF 2 REV A