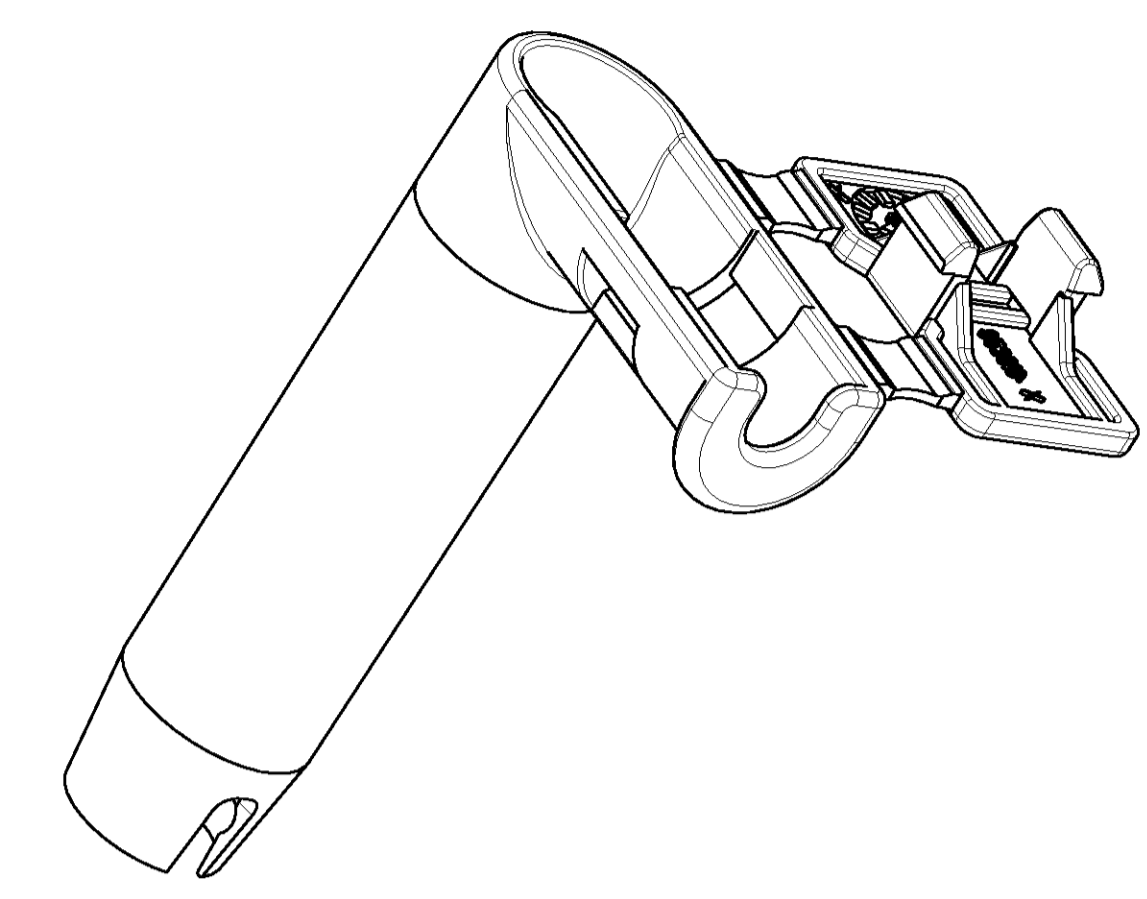
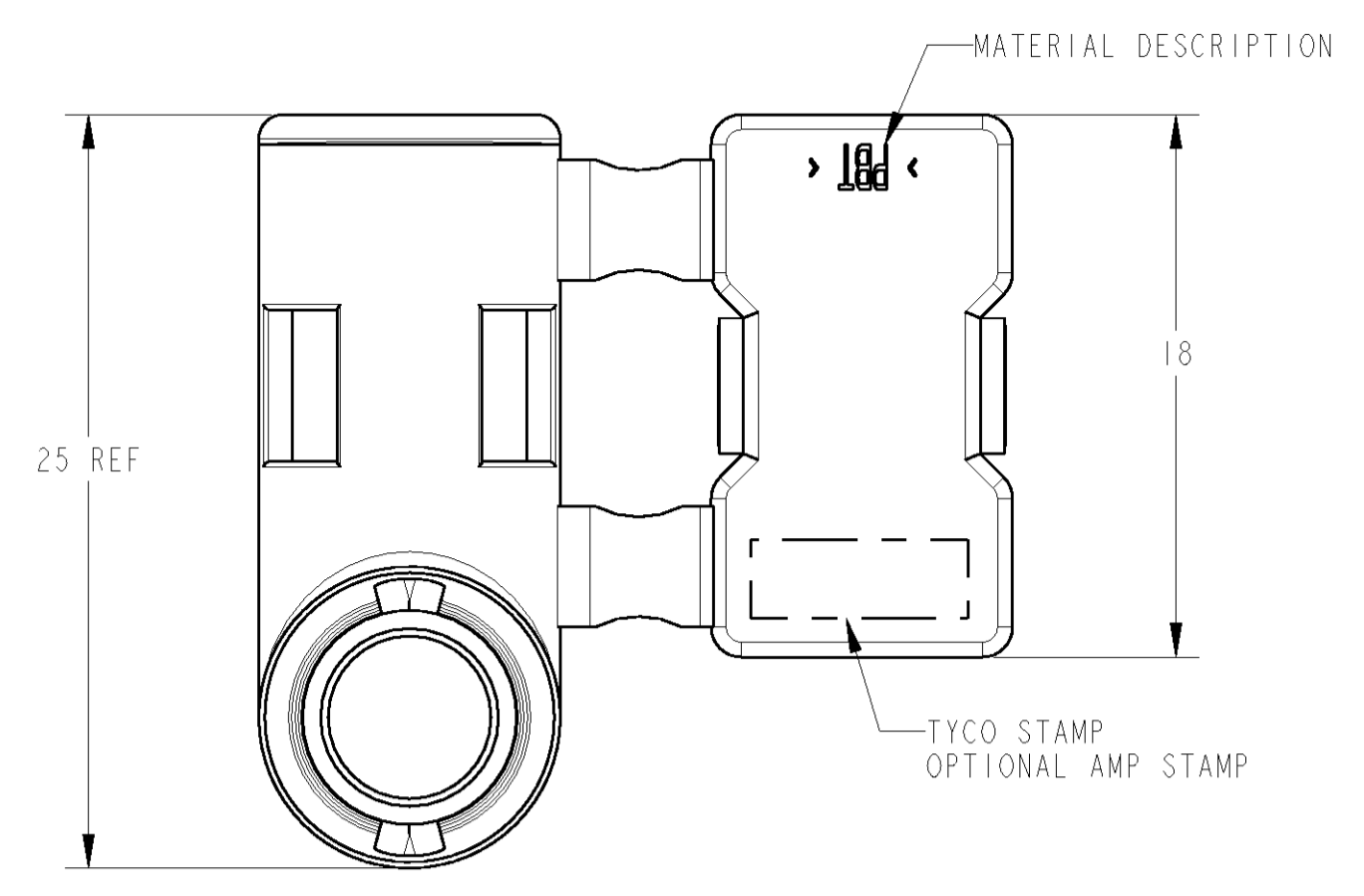
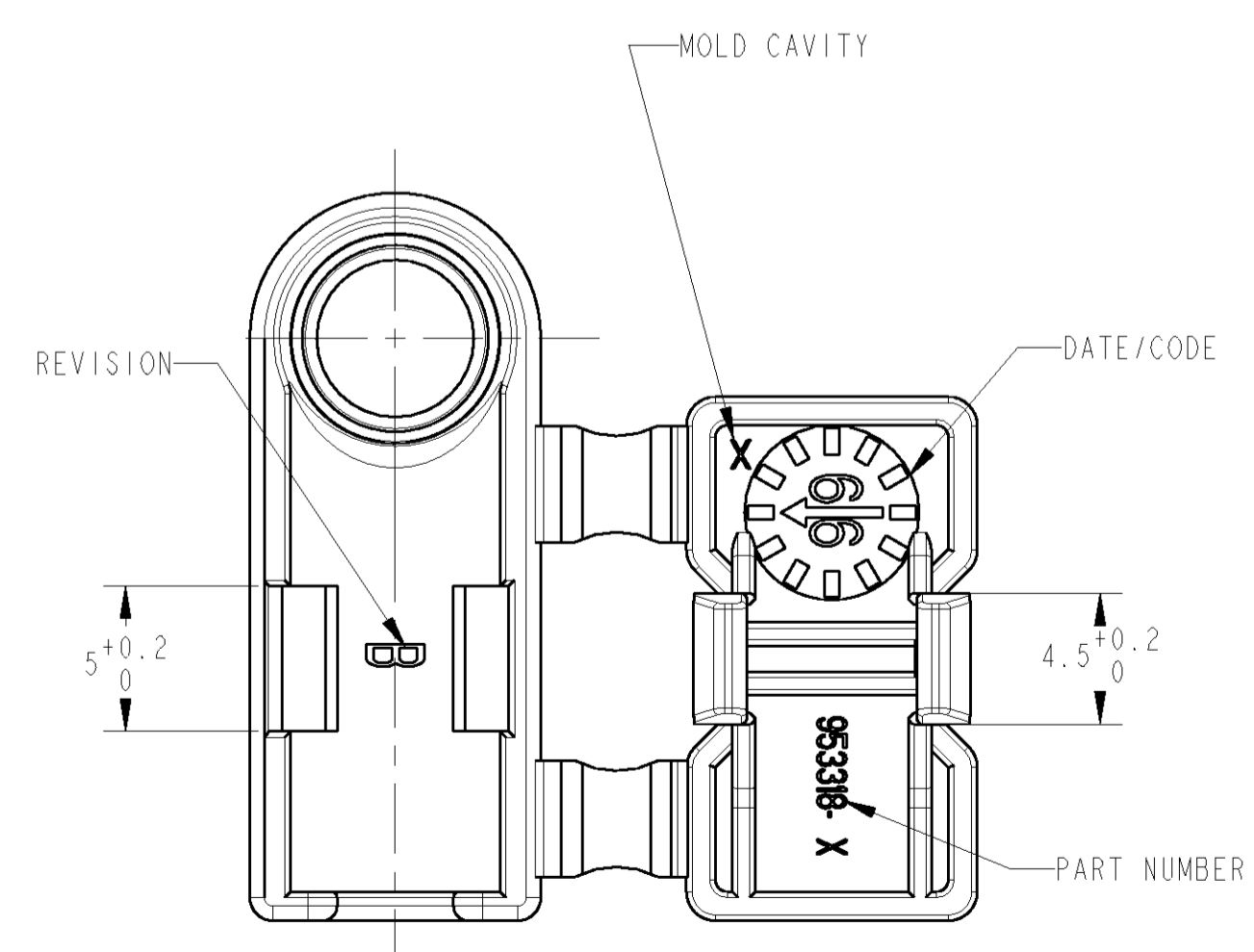
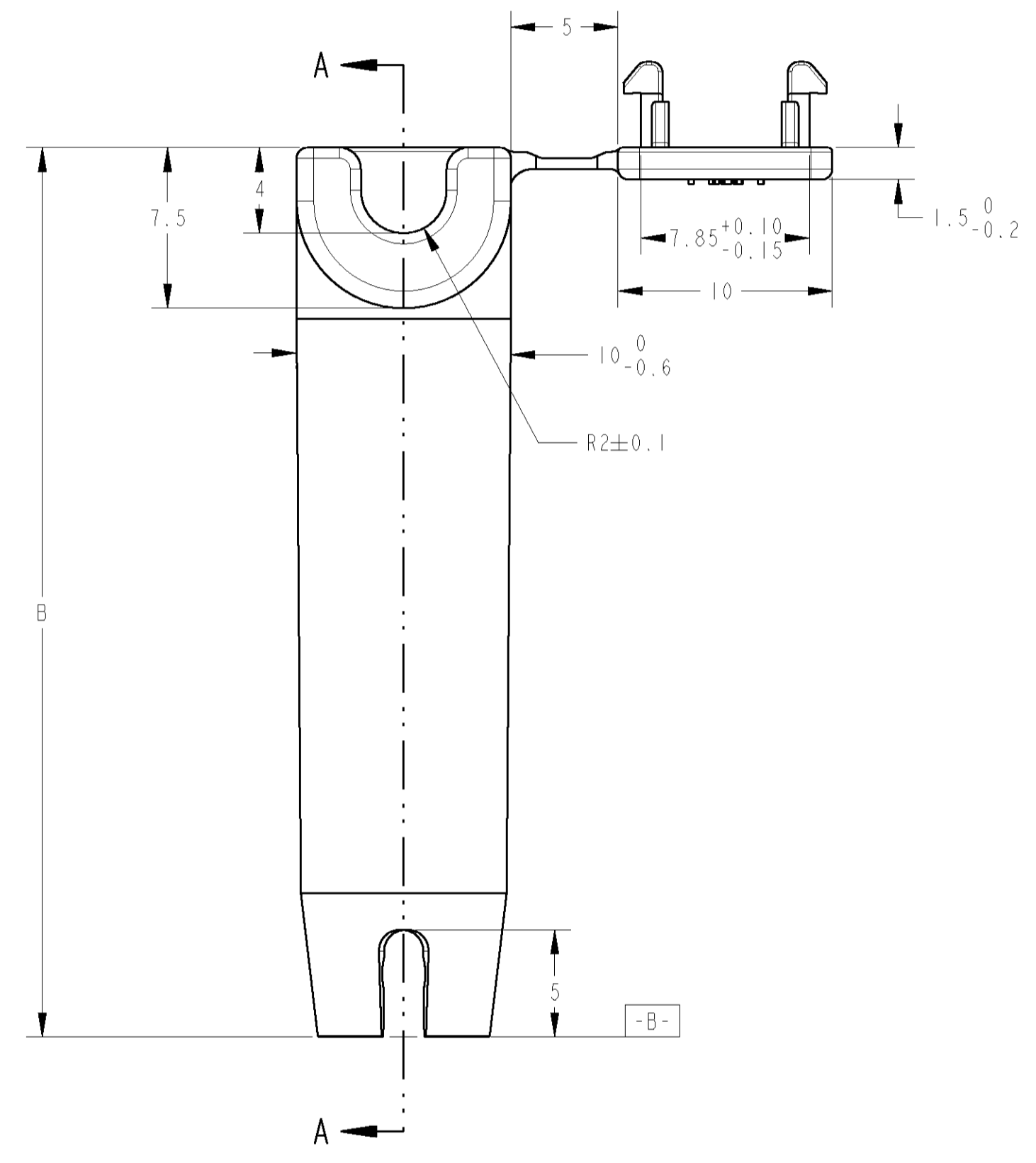
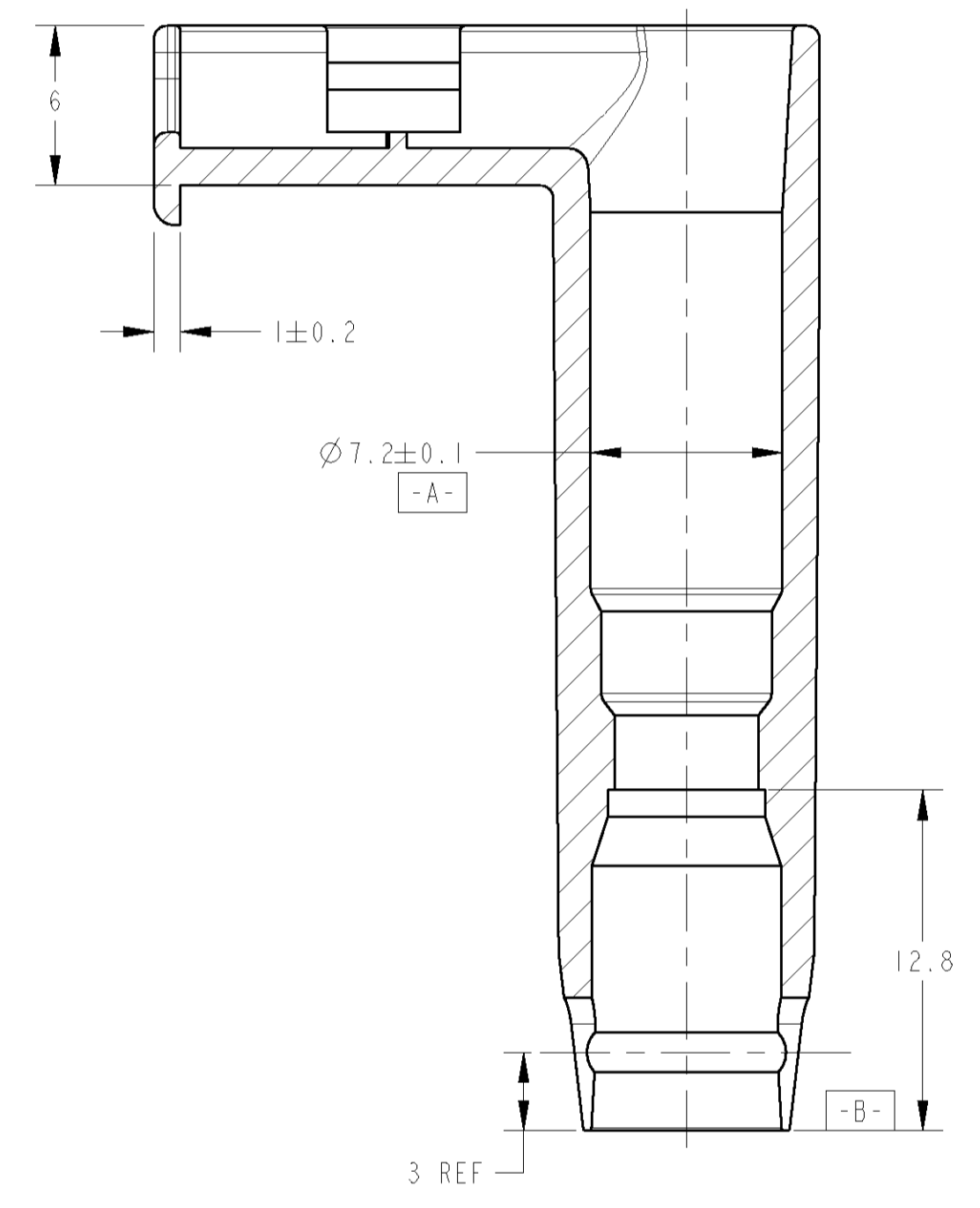


LOC	DIST	REVISIONS						
F	7	P	LTB	REV	DESCRIPTION MODIFICATIONS	DATE	DWN BESS.	APVD APP.
		A			CAVITY MOVING	30OCT2001	SR	JJR
		B			HINGE MODIFICATION	24JUN2005	AR	JPP
		C			DIMENSION MODIFICATION C4, NOTE TYCO STAMP	12SEP2005	RC	OD



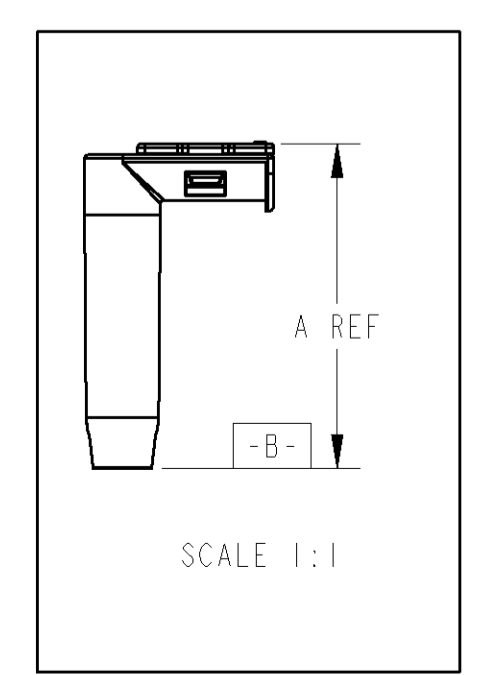
SACLE 3:1

COUPE A-A



EXTRACTION TOOL	
DESCRIPTION	PART NUMBER
EXTRACTION TOOL	965700-1
SPARE BLADE	965701-1

ASSOCIATED COMPONENTS							
PART NUMBER	DESCRIPTION						
963244-1	SEAL (for insulation Ø 2.2 - 3mm)						
963245-1	SEAL (for insulation Ø 3.1 - 3.7mm)						
962956-1	SOCKET CONTACT Ø 4mm						
PART NUMBER	PART REVISION CODE	COLOUR	MATERIAL	DESCRIPTION	WEIGHT	DIM A	DIM B
953318-2	D	BLACK	PBT	HOUSING	0.003 Kg	61	59.5±0.15
953318-1	D	BLACK	PBT	HOUSING	0.0025 Kg	43	41.5±0.1



THIS DRAWING IS UNPUBLISHED. RELEASED FOR PUBLICATION DIFFUSION RESTREINTE. AMF. LIBRE A LA DIFFUSION COPYRIGHT 19 BY TYCO ELECTRONICS CORPORATION. ALL RIGHTS RESERVED. TOUTS DROITS RESERVES.		DWN/DESIGNE S. RONOT OSFEB99 CHK/VERIFIE J.P. PICAUD OSFEB99		AMP DE FRANCE 95301 PONTOISE	
DIMENSIONS: mm		TOLERANCES UNLESS OTHERWISE SPECIFIED: DIMENSIONS: mm TOLERANCES: UNLESS OTHERWISE SPECIFIED: TOUJOURS EN DECIMALES:		NAME J.P. PICAUD OSFEB99	
MATERIAL MATIERE PBT		FINISH SEE TABLE		PRODUCT SPEC. SPEC. PRODUCT 108-15194 APPLICATION SPEC. SPEC. APPLICATION 411-15605	
WEIGHT MASSE APPROX. SEE TABLE		CUSTOMER DRAWING /PLAN CLIENT		SIZE FORMAT A1	
UNIFORMITY FOUR REFERENCE		SCALE ECHELLE 4:1		SHEET FEUILLE 1 OF 1	