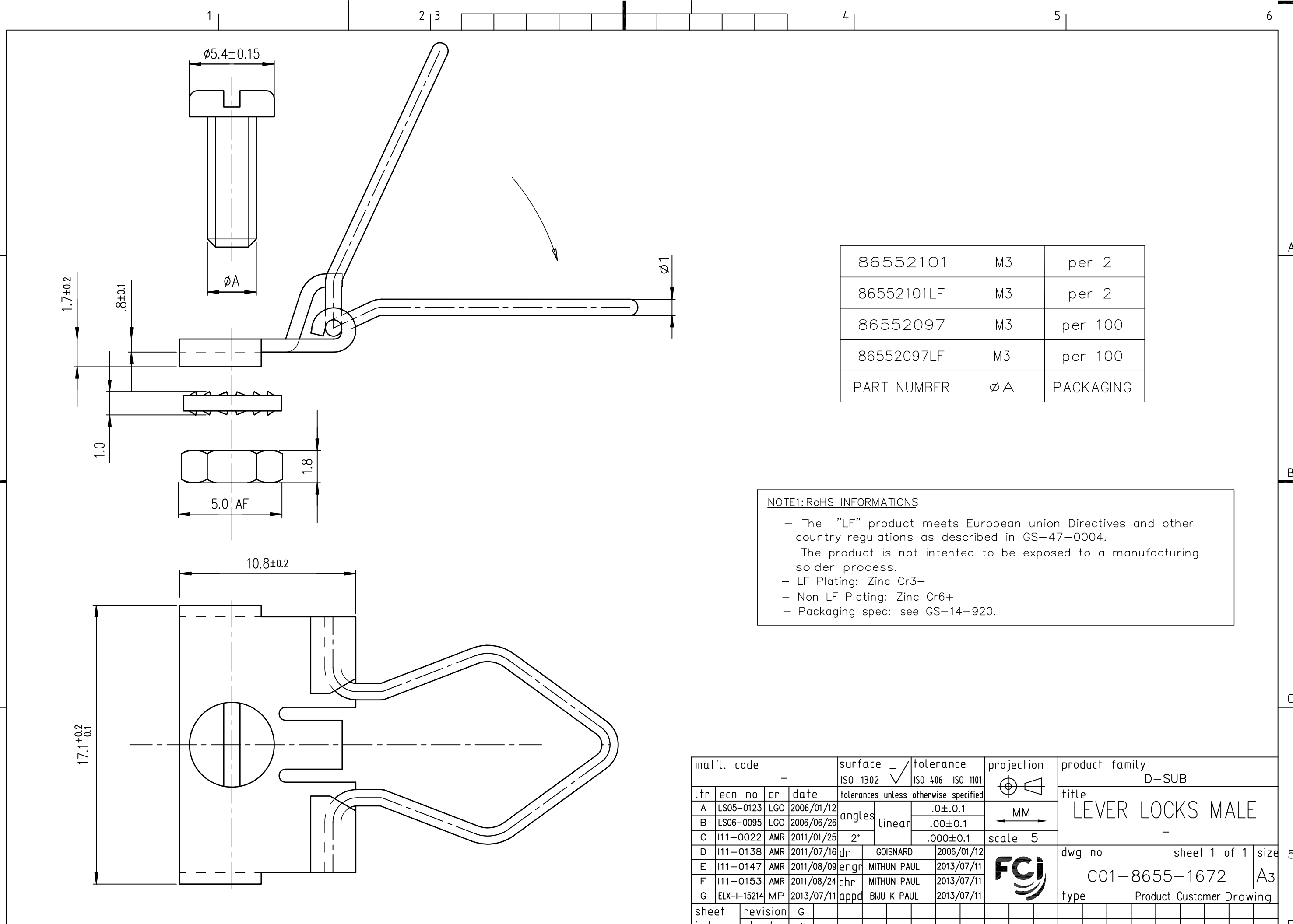




FCIconnect.com

Copyright FCI



86552101	M3	per 2
86552101LF	M3	per 2
86552097	M3	per 100
86552097LF	M3	per 100
PART NUMBER	φA	PACKAGING

NOTE1: RoHS INFORMATIONS

- The "LF" product meets European union Directives and other country regulations as described in GS-47-0004.
- The product is not intended to be exposed to a manufacturing solder process.
- LF Plating: Zinc Cr3+
- Non LF Plating: Zinc Cr6+
- Packaging spec: see GS-14-920.

mat'l. code		-		surface		ISO 1302		tolerance		projection		product family	
				ISO 406		ISO 1101		tolerances unless otherwise specified		MM		D-SUB	
ltr		ecn no		dr		date		angles		linear		title	
A		LS05-0123		LGO		2006/01/12		2'		.0±0.1		LEVER LOCKS MALE	
B		LS06-0095		LGO		2006/06/26				.00±0.1			
C		I11-0022		AMR		2011/01/25				.000±0.1		scale 5	
D		I11-0138		AMR		2011/07/16		dr		GOISNARD		2006/01/12	
E		I11-0147		AMR		2011/08/09		enr		MITHUN PAUL		2013/07/11	
F		I11-0153		AMR		2011/08/24		chr		MITHUN PAUL		2013/07/11	
G		ELX-I-15214		MP		2013/07/11		appd		BIJU K PAUL		2013/07/11	
sheet index		revision		G								dwg no	
1		sheet		1								sheet 1 of 1	
												size	
												5	
												A3	
												type	
												Product Customer Drawing	