

4

3

2

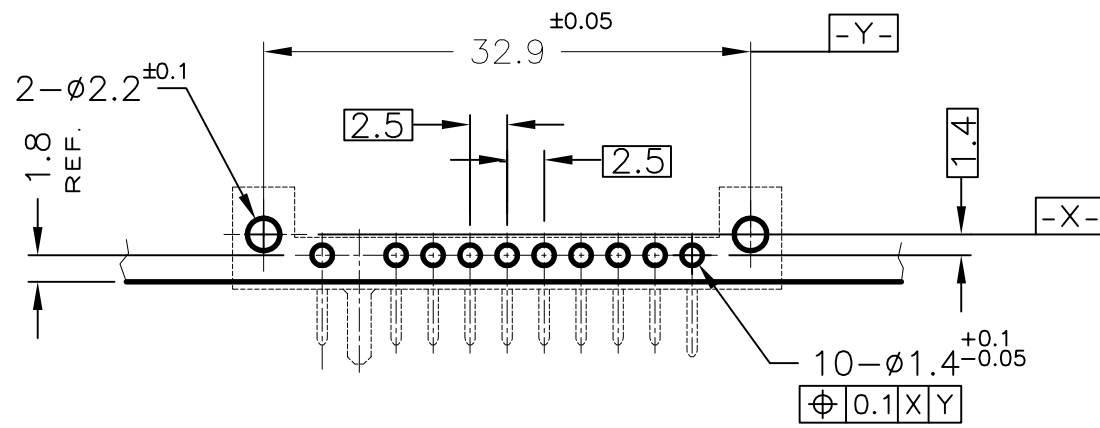
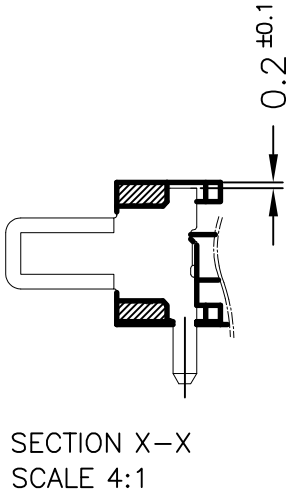
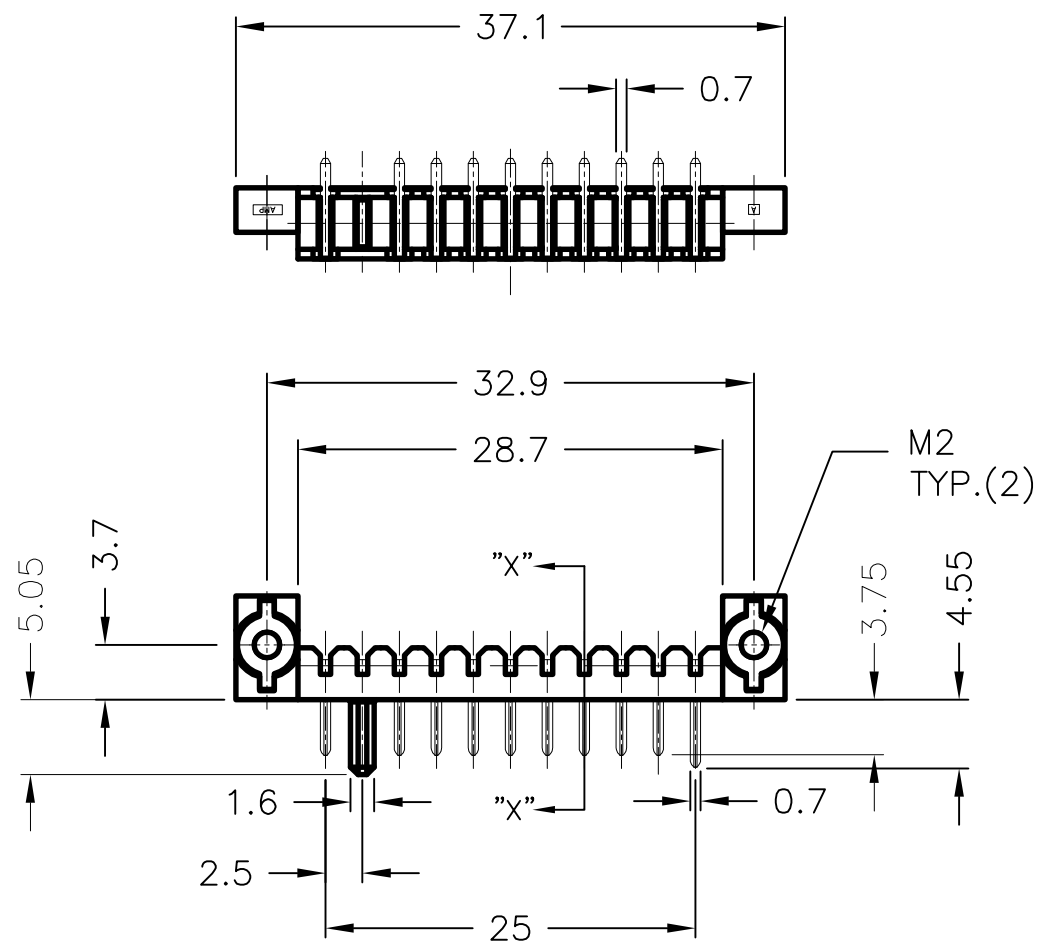
1

THIS DRAWING IS UNPUBLISHED. RELEASED FOR PUBLICATION 06 2007.
 © COPYRIGHT 2007 BY TYCO ELECTRONICS CORPORATION. ALL RIGHTS RESERVED.

LOC		DIST		REVISIONS			
P	LTR	DESCRIPTION		DATE	DWN	APVD	
ES	00	E		REVISED PER ECR-10-011717	30MAY2010	S.W	S.Y

D

D



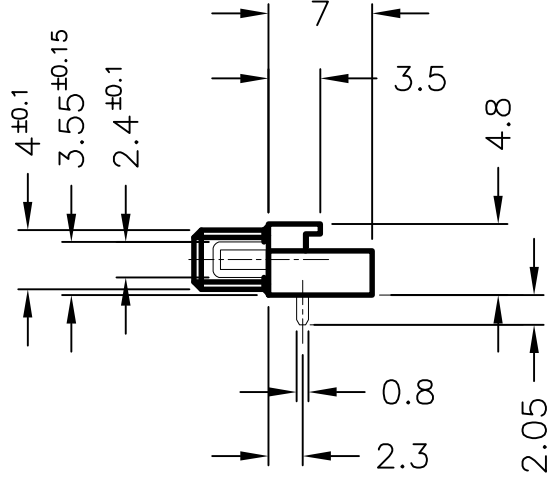
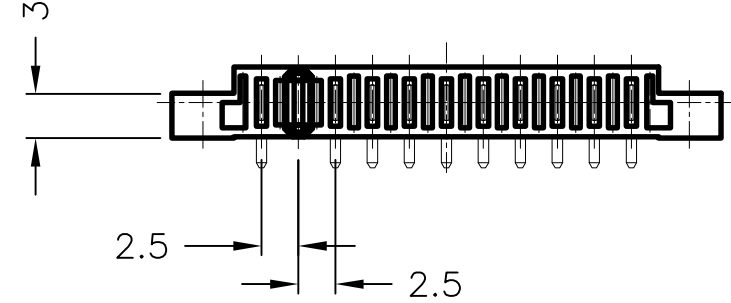
REFERENCE P.C. BOARD LAYOUT
 P.C. BOARD THK 0.8~1.2
 (VIEW FROM CONNECTOR MOUNTING SIDE)

C

C

B

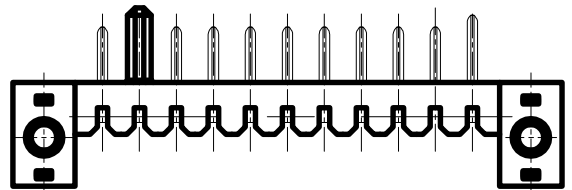
B



- ① MATERIAL HOUSING : LCP, UL94V-0
 COLOR ; BLACK
 CONTACT : COPPER ALLOY
 NUT PLATE : STAINLESS STEEL
- ② FINISH CONTACT : Ni ALL OVER UNDER PL
 Au PL. 0.3 μm MIN. AT CONTACT AREA
 Au FLASH PL. AT LEAD AREA

A

A



THIS DRAWING IS A CONTROLLED DOCUMENT.		DWN T.KATANO 12JUL07	Tyco Electronics Corporation Shanghai, P.R.China, 200233	
DIMENSIONS: mm		CHK K.IKEGAMI 12JUL07	NAME 2.5mm PITCH BATTERY CONNECTOR (10POS.) PLUG ASSY REVERSE TYPE	
TOLERANCES UNLESS OTHERWISE SPECIFIED: ∅-PLC ± 0.15 1-PLC ± 2-PLC ± 3-PLC ± 4-PLC ± ANGLES ± 3'		APVD K.IKEGAMI 12JUL07	PRODUCT SPEC 108-5775	
MATERIAL ①		APPLICATION SPEC -		RESTRICTED TO -
FINISH ②		WEIGHT -	SIZE A3	CAGE CODE 00779
		DRAWING NO C=2013098		SCALE 2:1
CUSTOMER DRAWING		SHEET 1 of 3		REV E

4

3

2

1

THIS DRAWING IS UNPUBLISHED.

RELEASED FOR PUBLICATION

06 2007.

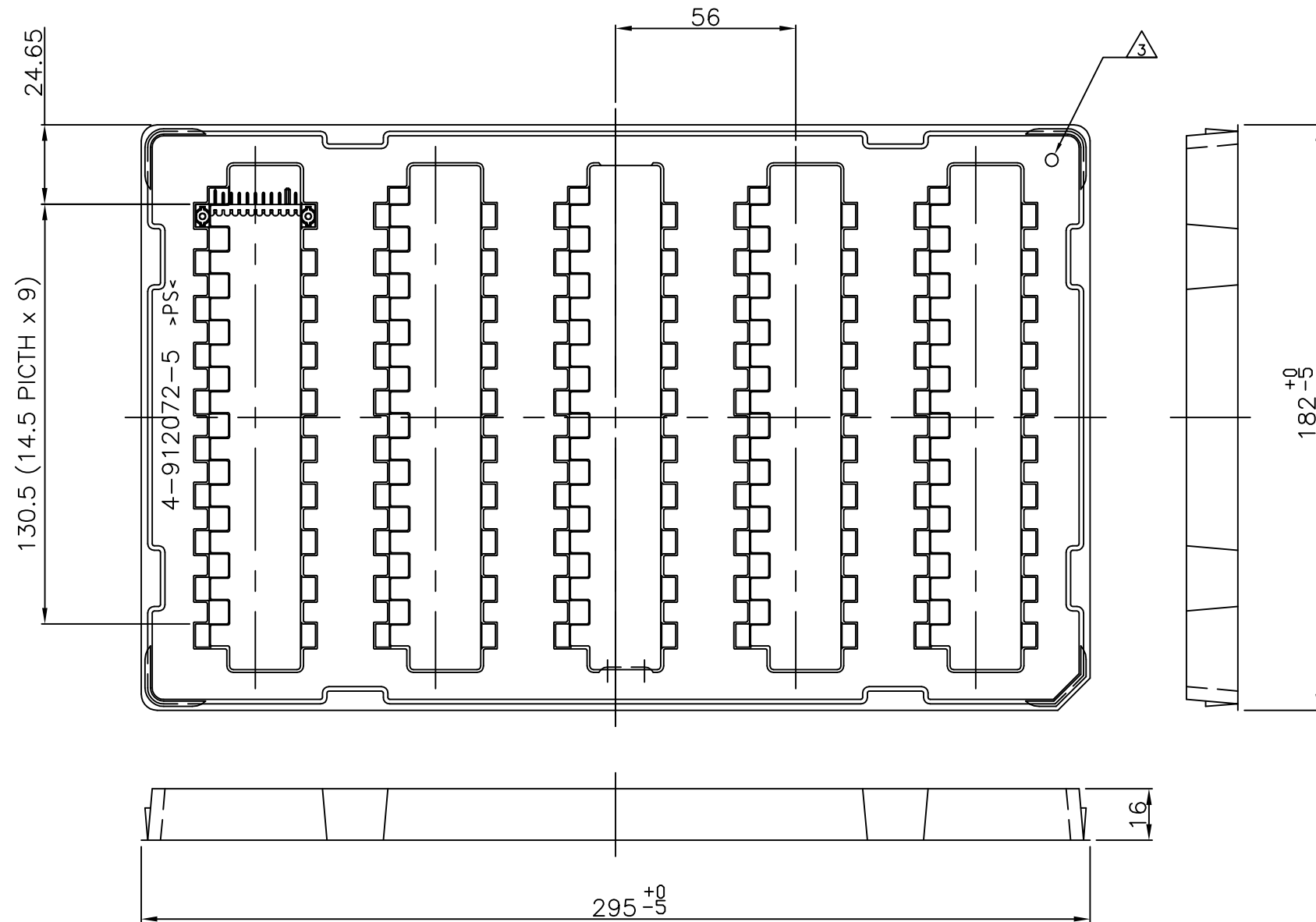
© COPYRIGHT 2007 BY TYCO ELECTRONICS CORPORATION. ALL RIGHTS RESERVED.

LOC ES DIST 00

REVISIONS

P	LTR	DESCRIPTION	DATE	DWN	APVD
-	-	SEE SHEET 1	-	-	-

2013098-1, AS SHOWN



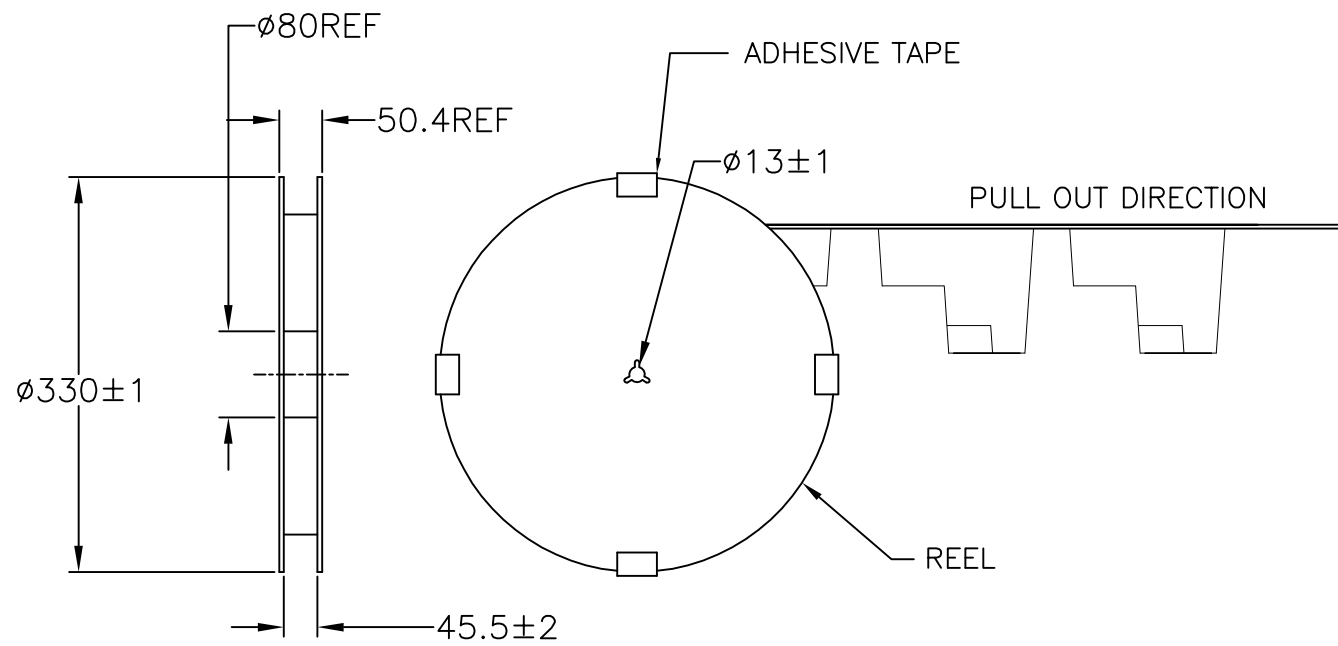
3 BLACK DOT MARK.

THIS DRAWING IS A CONTROLLED DOCUMENT.		DWN T.KATANO 12JUL07	Tyco Electronics Corporation	
		CHK K.IKEGAMI 12JUL07	Shanghai, P.R.China, 200233	
		APVD K.IKEGAMI 12JUL07	NAME	
		PRODUCT SPEC	2.5mm PITCH BATTERY CONNECTOR (10POS.) PLUG ASSY REVERSE TYPE	
		APPLICATION SPEC	SIZE	RESTRICTED TO
		WEIGHT	A3 00779	-
		CUSTOMER DRAWING	DRAWING NO C=2013098	REV E
		SCALE 1:2	SHEET 2 of 3	

DIMENSIONS: mm	TOLERANCES UNLESS OTHERWISE SPECIFIED:
	0-PLC ± 1
	1-PLC ±
	2-PLC ±
	3-PLC ±
	4-PLC ±
	ANGLES ±
MATERIAL	FINISH
-	-

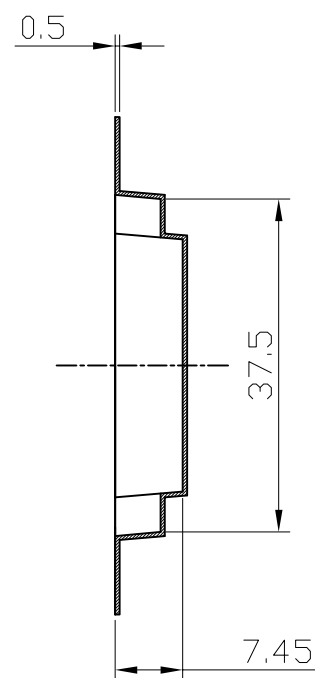
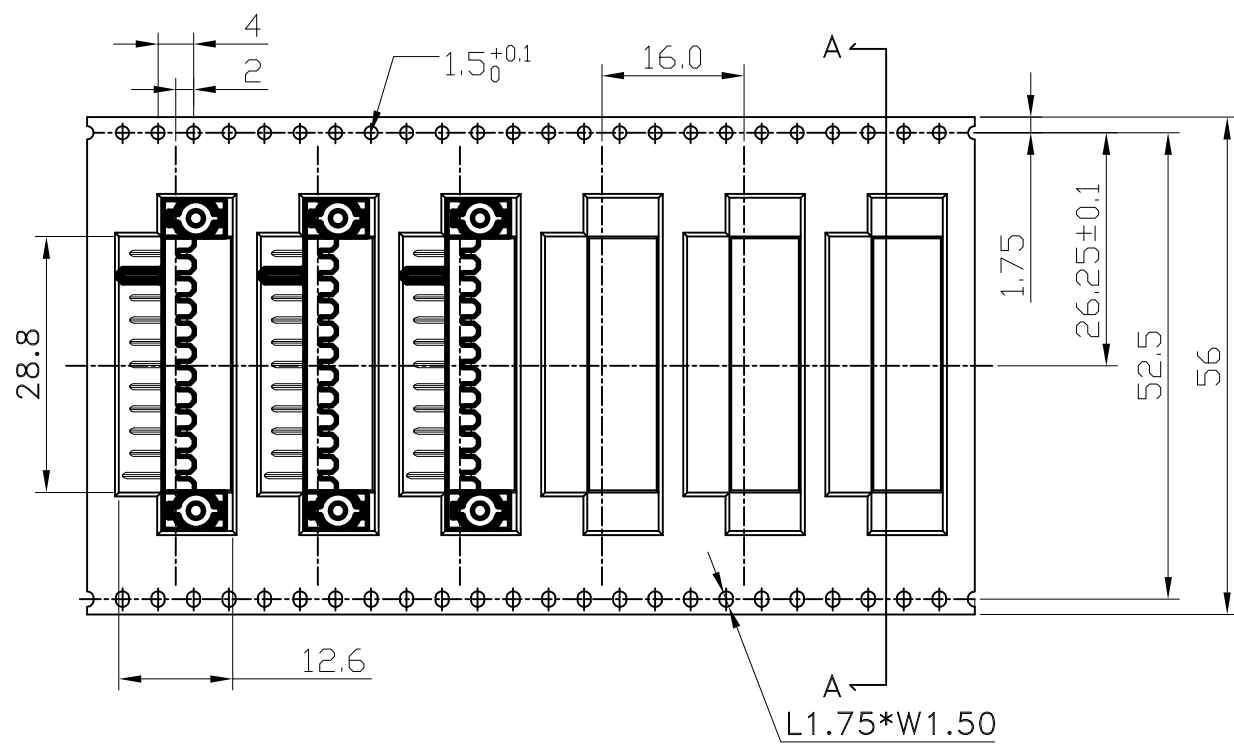
THIS DRAWING IS UNPUBLISHED. RELEASED FOR PUBLICATION 06 2007.
 © COPYRIGHT 2007 BY TYCO ELECTRONICS CORPORATION. ALL RIGHTS RESERVED.

LOC	DIST	REVISIONS			
P	LTR	DESCRIPTION	DATE	DWN	APVD
ES	00	SEE SHEET 1	-	-	-



2013098-2, AS SHOWN

1. PEELING RESISTANCE: 0.1 TO 0.7N
2. PEELING SPEED : 300MM/MINUTES
3. PRIMARY PACKING: 500 EA PER REEL



SECTION A-A

THIS DRAWING IS A CONTROLLED DOCUMENT.		DWN T.KATANO 12JUL07	Tyco Electronics Corporation Shanghai, P.R.China, 200233													
DIMENSIONS: mm		CHK K.IKEGAMI 12JUL07	NAME 2.5mm PITCH BATTERY CONNECTOR (10POS.) PLUG ASSY REVERSE TYPE													
TOLERANCES UNLESS OTHERWISE SPECIFIED:		APVD K.IKEGAMI 12JUL07	PRODUCT SPEC													
<table border="0"> <tr><td>0 PLC</td><td>± 0.5</td></tr> <tr><td>1 PLC</td><td>± 0.3</td></tr> <tr><td>2 PLC</td><td>± 0.3</td></tr> <tr><td>3 PLC</td><td>± 0.3</td></tr> <tr><td>4 PLC</td><td>± 0.3</td></tr> <tr><td>ANGLES</td><td>± 3'</td></tr> </table>		0 PLC	± 0.5	1 PLC	± 0.3	2 PLC	± 0.3	3 PLC	± 0.3	4 PLC	± 0.3	ANGLES	± 3'	APPLICATION SPEC	RESTRICTED TO	
0 PLC	± 0.5															
1 PLC	± 0.3															
2 PLC	± 0.3															
3 PLC	± 0.3															
4 PLC	± 0.3															
ANGLES	± 3'															
MATERIAL		WEIGHT	SIZE A3	CAGE CODE 00779												
FINISH		DRAWING NO C=2013098		REV E												
CUSTOMER DRAWING			SCALE 2:1	SHEET 3 of 3												