



# PRODUCT DATASHEET

## Eva series

last update 30/12/2016

### DETAILS

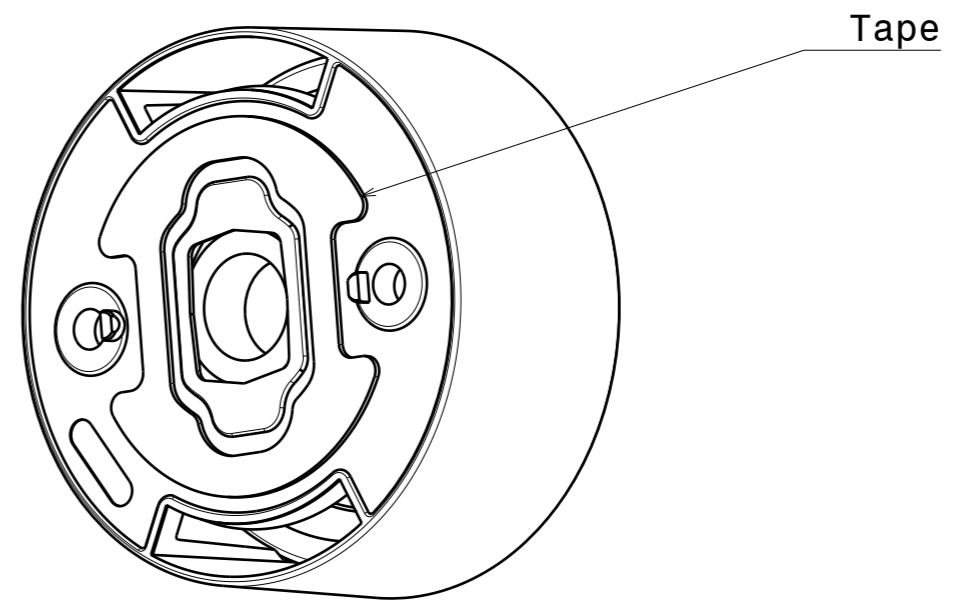
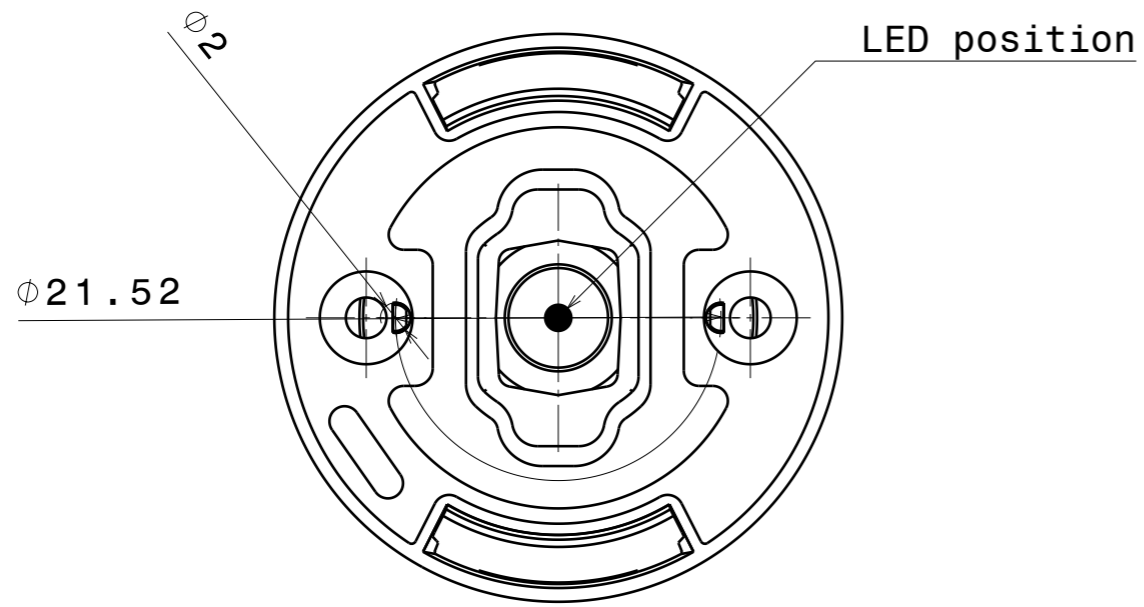
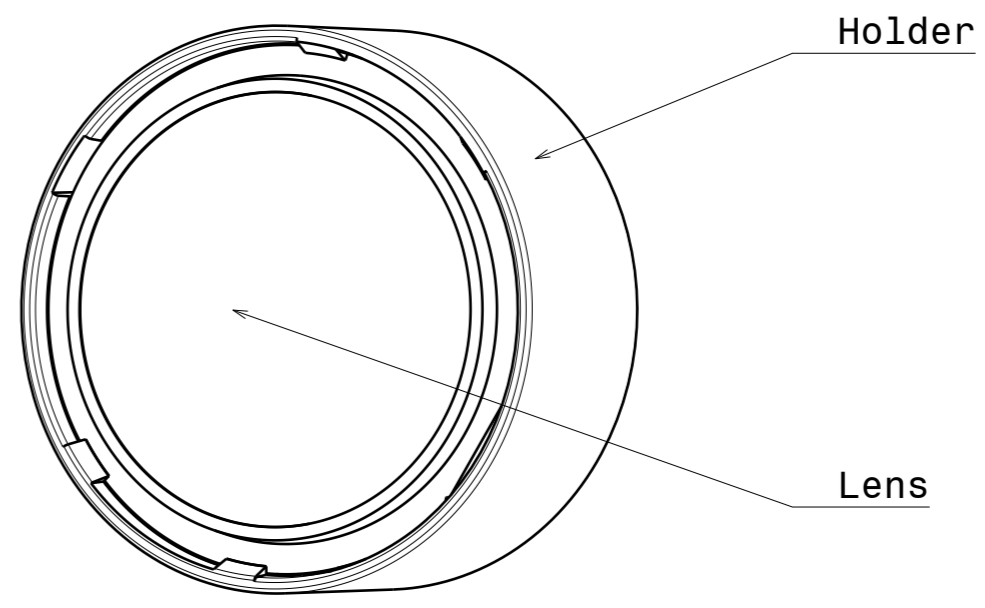
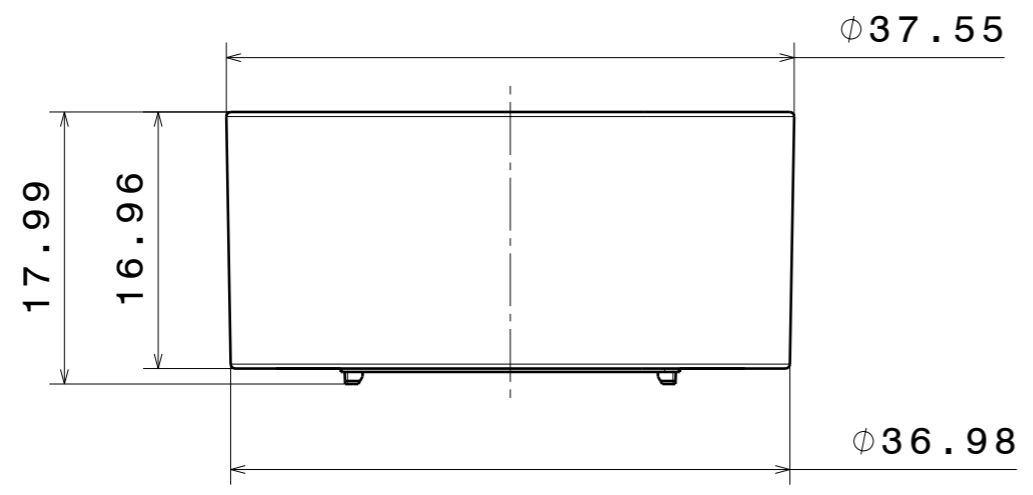
|                        |                  |
|------------------------|------------------|
| <b>Product Number</b>  | CA14308_EVA-D    |
| <b>Family</b>          | Eva              |
| <b>Type</b>            | Assembly         |
| <b>Color</b>           | black            |
| <b>Diameter</b>        | 37,7 mm          |
| <b>Height</b>          | 17,2 mm          |
| <b>Style</b>           |                  |
| <b>Optic Material</b>  | PMMA             |
| <b>Holder Material</b> |                  |
| <b>Fastening</b>       | tape, pin        |
| <b>Status</b>          | production ready |
| <b>ROHS Compliant</b>  | Yes              |
| <b>Date Updated</b>    | 30/12/2016       |



### OPTICAL PROPERTIES

| LED         | Viewing Angle | Light Beam | Efficiency | cd/lm      | Connector |
|-------------|---------------|------------|------------|------------|-----------|
| LUXEON M/MX | 21 deg        |            | 89 %       | 4.200      | -         |
| Z8Y22P      | sim: 17       |            | sim: 98 %  | sim: 9.500 | -         |

H G F E D C B A



| INDEX | PART NO | MATERIAL | COLOUR |
|-------|---------|----------|--------|
| 1     | Holder  | PC       | Black  |
| 2     | Lens    | PMMA     | Clear  |
| 3     | Tape    | -        | Black  |

Tolerances if not otherwise shown  
According to DIN ISO 2768-1  
Linear measures: class C  
According to DIN ISO 2768-2  
Form and position: class L

**LEDiL** Ledil Oy  
Salorankatu 10  
FIN 24240 SALO  
Finland

THIRD ANGLE PROJECTION:

DRAWING TITLE  
**CA14308\_EVA-D**

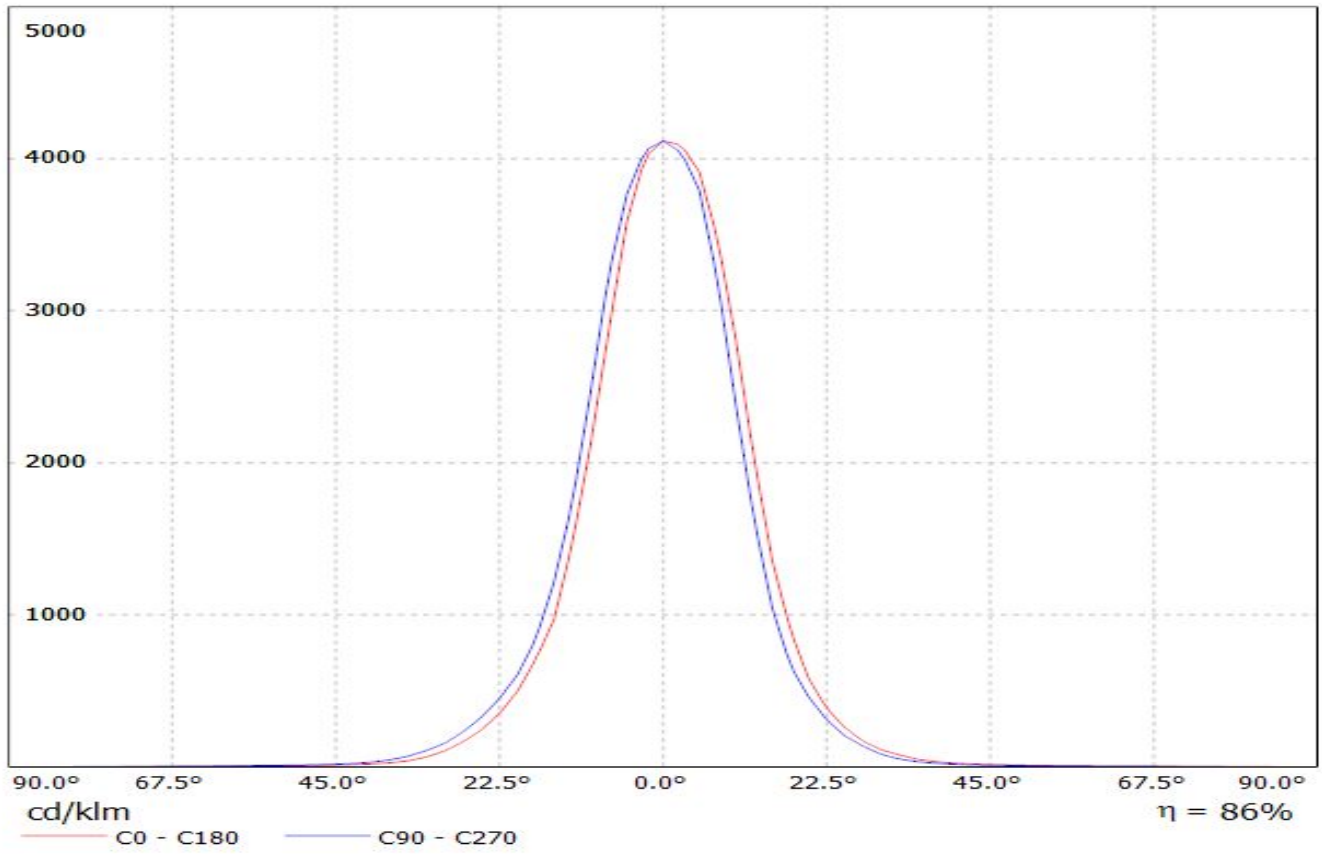
This drawing is the property of LEDiL Oy. It may not be reproduced, copied or communicated without a written agreement with LEDiL Oy.

SIZE PART NUMBER  
**A3 CA14308**

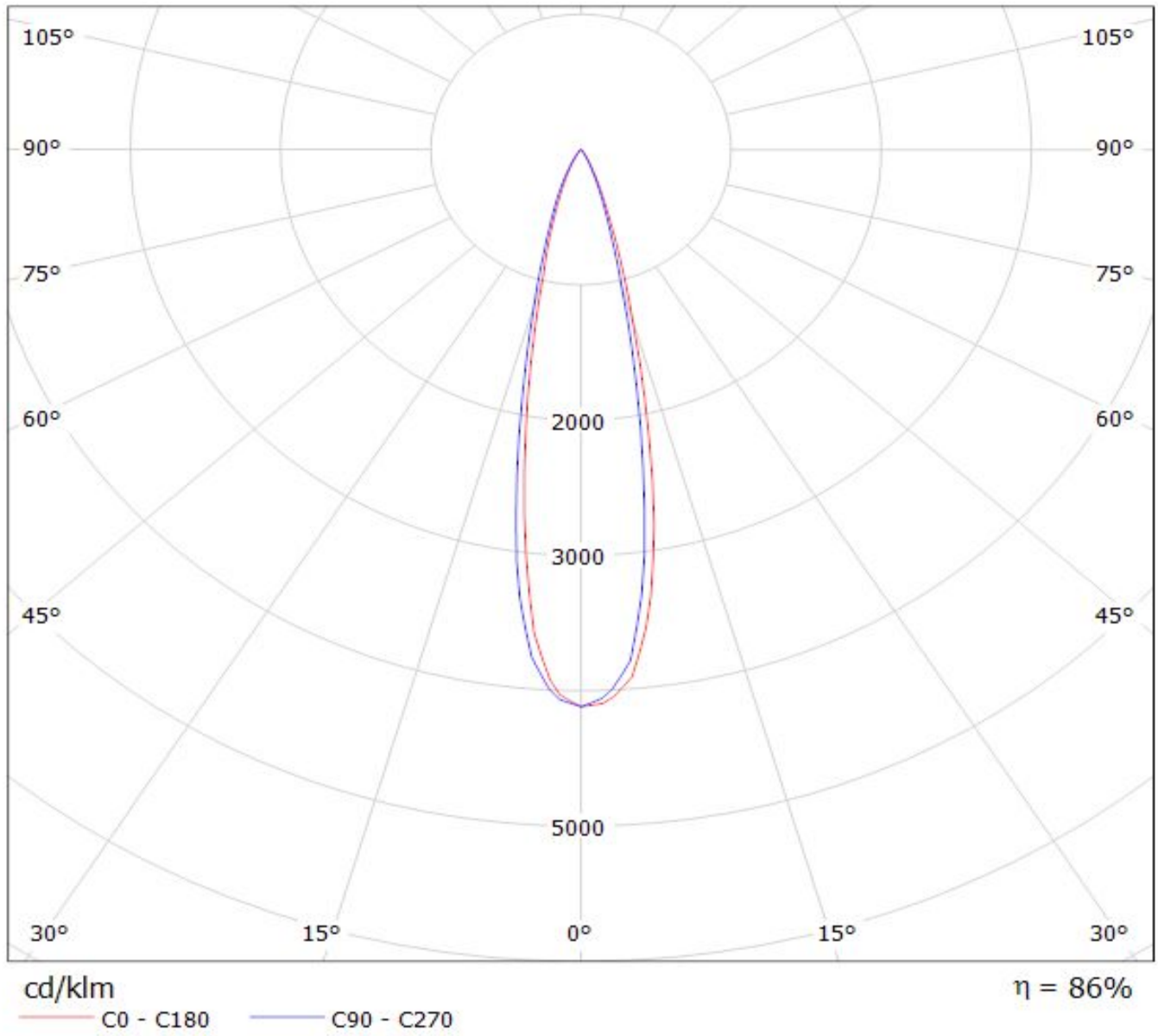
SCALE 2:1 WEIGHT - SHEET 1/1

H G B A

Luminaire: Ledil Oy CA14308\_EVA-D (Luxeon M) Efficiency=89%  
Lamps: 1 x Luxeon M 362lm @ 250mA



Luminaire: Ledil Oy CA14308\_EVA-D (Luxeon M) Efficiency=89%  
Lamps: 1 x Luxeon M 362lm @ 250mA



**NOTE: The typical divergence will be changed by different color, chip size and chip position tolerance. The typical total divergence is the full angle measured where the luminous intensity is half of the peak value.**