



PRODUCT DATASHEET

Lisa series

last update 18/8/2014

DETAILS

Product Number	FP11083_LISA2-WW-CLIP
Family	Lisa
Type	Assembly
Color	black
Diameter	9,9 mm
Height	7 mm
Style	round
Optic Material	PMMA
Holder Material	
Fastening	glue, clips
Status	production ready
ROHS Compliant	Yes
Date Updated	18/08/2014



OPTICAL PROPERTIES

LED	Viewing Angle	Light Beam	Efficiency	cd/lm	Connector
Oslon SSL 150	45 deg	Very Wide	91 %	1.230	-
Synios P2720 1 mm	sim: 43	Very Wide	sim: 93 %	sim: 1.920	-

D

C

B

A

4

4

3

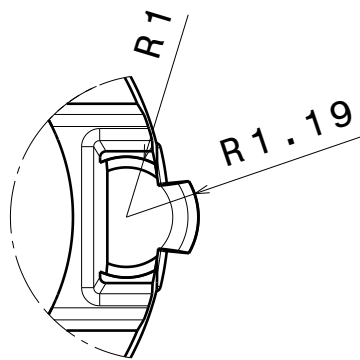
3

2

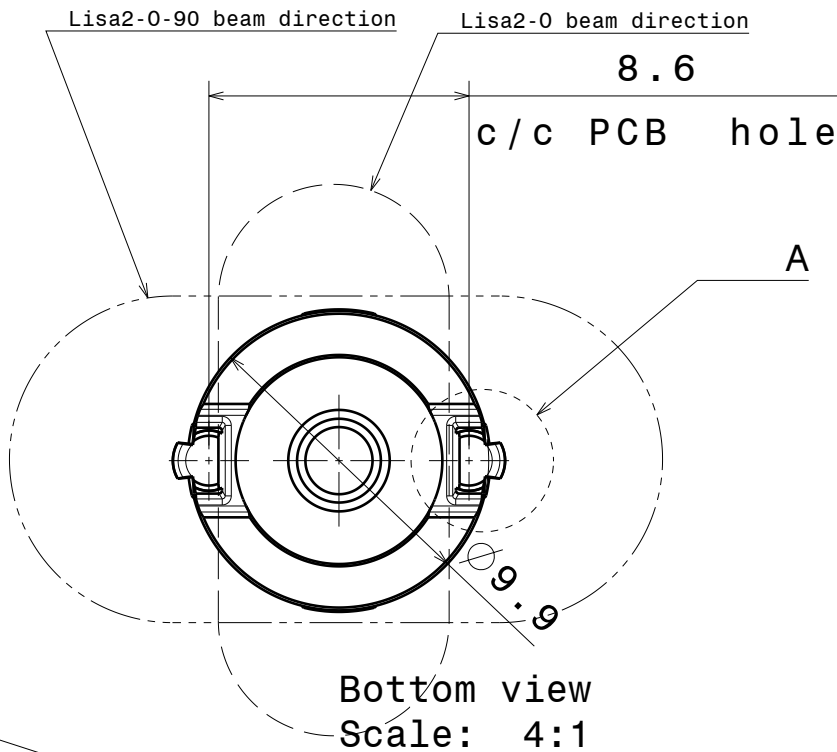
2

1

1



Detail A
Scale: 8:1

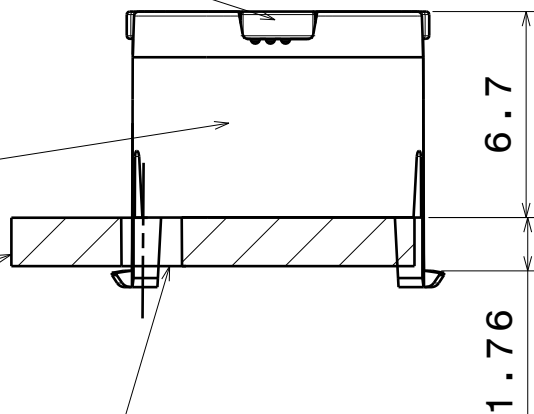


Bottom view
Scale: 4:1

Lens

Holder

Reference PCB



Front view
Scale: 4:1

Materials:
Lens PMMA
Holder PC

Note:
Take tolerances
into account
when specifying
positioning
holes for PCB

This drawing is our property.
It can't be reproduced
or communicated without
our written agreement.



Ledil Oy
Tehdaskatu 13
FIN-24100 SALO
Finland

DRAWING TITLE

Datasheet Lisa2-clip16-0SL series Assy

DRAWN BY
ch

DATE
20.7.2011

CHECKED BY
sn

DATE
20.7.2011

SIZE
A4

DRAWING NUMBER

REV
2

DESIGNED BY
hh

DATE
19.10.2009

SCALE 4:1 WEIGHT (g)

SHEET 1/1

D

A

NOTE: The typical divergence will be changed by different color, chip size and chip position tolerance. The typical total divergence is the full angle measured where the luminous intensity is half of the peak value.